

4

3

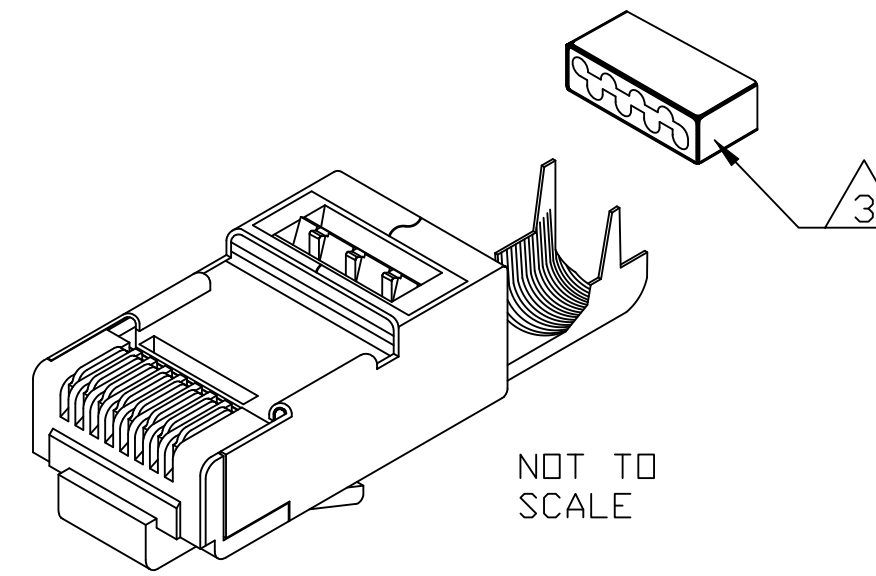
2

1

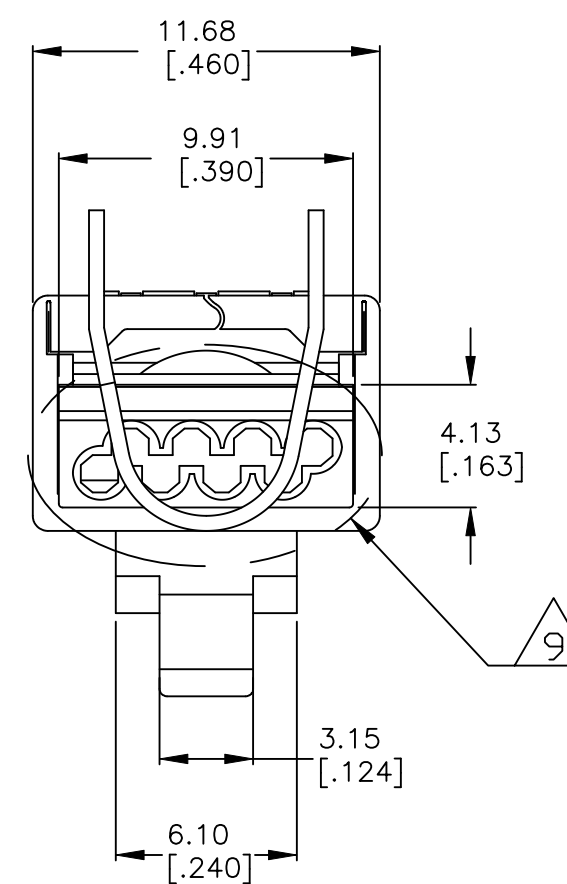
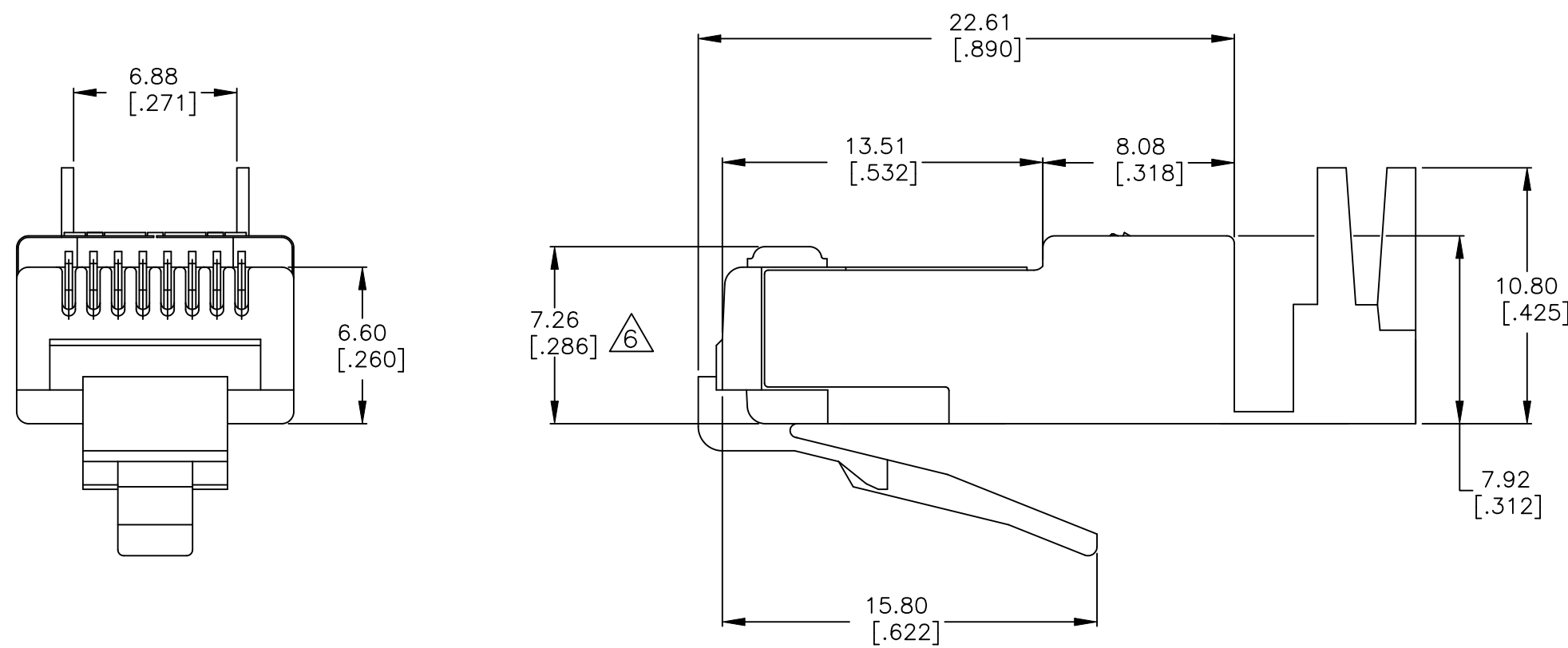
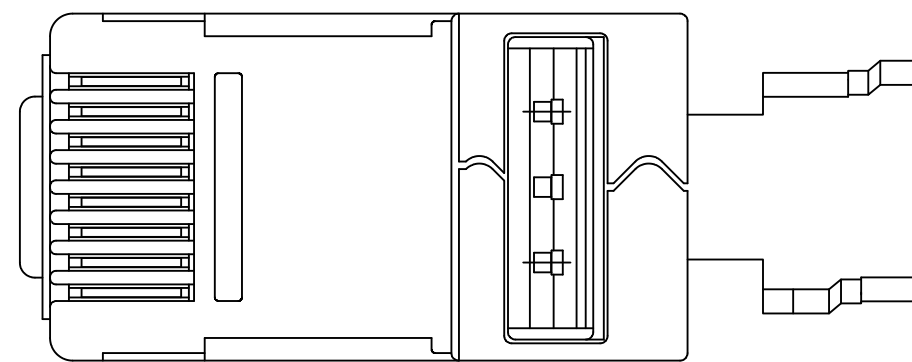
THIS DRAWING IS UNPUBLISHED. RELEASED FOR PUBLICATION

© 2016 Commscope, INC. Confidential NOTICE: These drawings and specifications are the proprietary property of COMMSCOPE, INC. and may be used only for the specific purpose authorized in writing by COMMSCOPE, INC.

REVISIONS					
P	LTR	DESCRIPTION	DATE	DWN	APVD
D		REV; 40107433CMO	17MAR20	GG	MS
E		REV; 40148778CMO	17MAY22	AB	SG



- 1 DIMENSIONS ARE NOMINAL UNLESS OTHERWISE SPECIFIED.
- 2 MATERIAL:  
PLUG: POLYCARBONATE, 94V-0 RATED  
CONTACT: PHOSPHOR BRONZE  
CONTACT PLATING: .0013 [.000050] HARD GOLD IN CONTACT AREA OVER .0025 [.000100] MINIMUM NICKEL UNDERPLATE.  
LOAD BAR: POLYCARBONATE 94V-0 RATED WITH CONDUCTIVE FILLER.
- 3 PRODUCT IS SHIPPED WITH CONDUCTIVE LOAD BAR.
- 4. PLUG INTERFACE DIMENSIONS CONFORM TO IEC 60603-7 SEC 3.2.3
- 5. CONDUCTOR JACKET OD RANGE 1.12/1.22 [0.044/0.048] SOLID OR STRANDED WIRE 22-28 AWG. OUTER JACKET OD RANGE 6.99/7.87 [0.275/0.310] NO LOGO ON TAB.
- 6 TERMINATED DIMENSION IS 5.89-6.15 [0.232-0.242].
- 7. ROHS COMPLIANT.
- 8. UL RECOGNIZED.
- 9 WIRE GUIDE PATTERN:  
2,4,6,8 - TOP ROW  
1,3,5,7 - BOTTOM ROW
- 10 2500 ASSEMBLIES AND 2500 LOAD BARS PER PACKAGE.
- 12 100 ASSEMBLIES AND 100 LOAD BARS PER PACKAGE.



12	5-1933433-3
10	1933433-1
PACKAGED	PART NO.

THIS DRAWING IS A CONTROLLED DOCUMENT.		DWN J. BURWELL 05MAY2009	COMMSCOPE, INC.																													
		CHK B. MCNEILL 05MAY2009																														
		APVD B. MCNEILL 05MAY2009	NAME																													
DIMENSIONS: INCHES		PRODUCT SPEC MODULAR PLUG, CAT6/CAT6A, SHIELDED, .310 OD CABLE																														
TOLERANCES UNLESS OTHERWISE SPECIFIED:		APPLICATION SPEC																														
<table border="0"> <tr><td>0 PLC</td><td>±</td><td>-</td><td>1</td></tr> <tr><td>1 PLC</td><td>±</td><td>-</td><td>1</td></tr> <tr><td>2 PLC</td><td>±</td><td>-</td><td>1</td></tr> <tr><td>3 PLC</td><td>±</td><td>-</td><td>1</td></tr> <tr><td>4 PLC</td><td>±</td><td>-</td><td>1</td></tr> <tr><td>ANGLES</td><td>±</td><td>-</td><td>-</td></tr> <tr><td>FINISH</td><td>-</td><td>-</td><td>-</td></tr> </table>		0 PLC	±	-	1	1 PLC	±	-	1	2 PLC	±	-	1	3 PLC	±	-	1	4 PLC	±	-	1	ANGLES	±	-	-	FINISH	-	-	-	SIZE A2		
0 PLC	±	-	1																													
1 PLC	±	-	1																													
2 PLC	±	-	1																													
3 PLC	±	-	1																													
4 PLC	±	-	1																													
ANGLES	±	-	-																													
FINISH	-	-	-																													
MATERIAL		WEIGHT																														
-		-																														
		DRAWING NO C=1933433		RESTRICTED TO																												
CUSTOMER DRAWING		SCALE 2:1		SHEET 1 OF 1 REV E																												

1933433