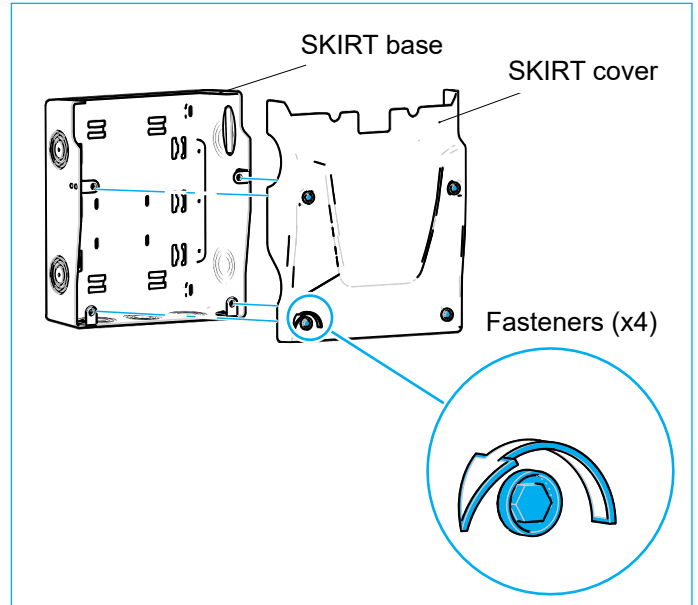
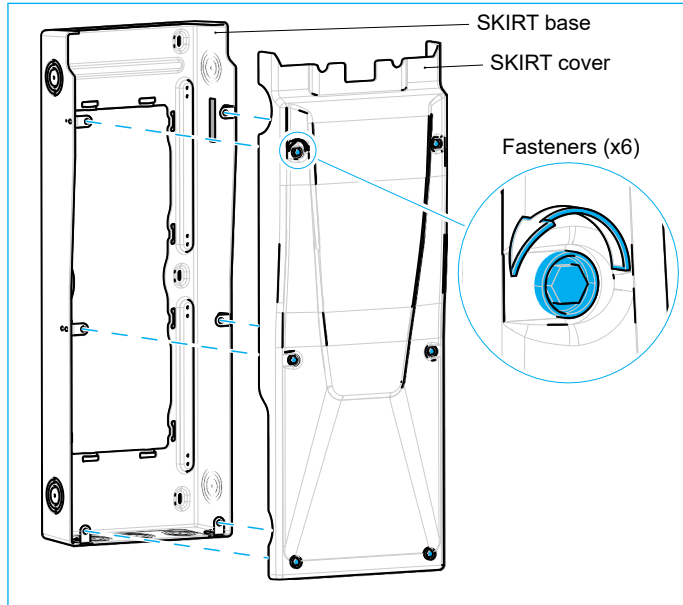


BUDI-M SKIRTS (PLASTIC)

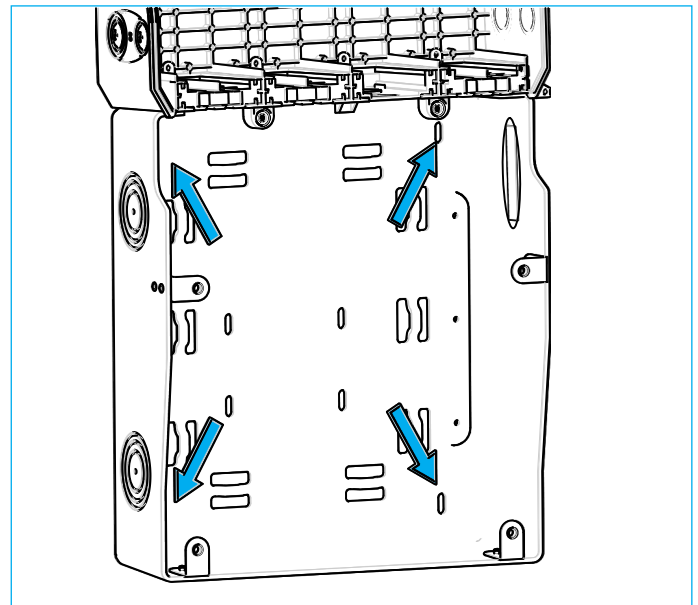
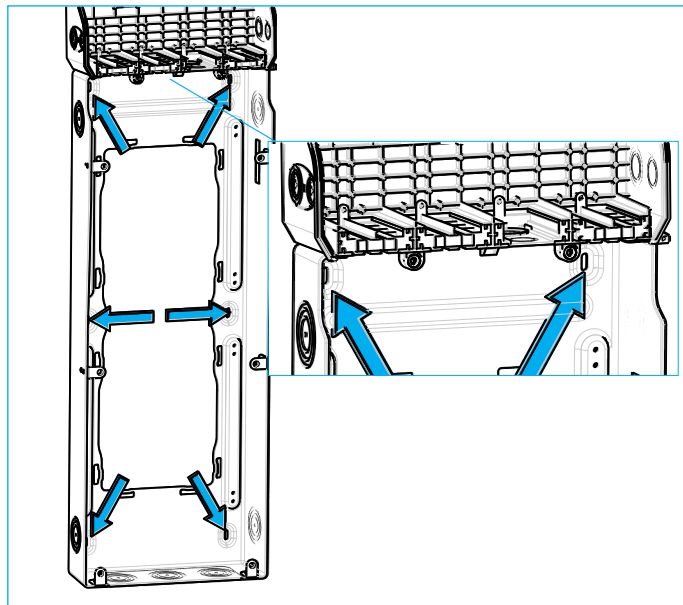
1 Open the skirts

There are 2 kits available, a 36" L SKIRT kit (image left) and a 15" L SKIRT kit (image right).



1.1 Rotate fasteners counterclockwise to unlock and lift off the cover.

2 Mount the skirt

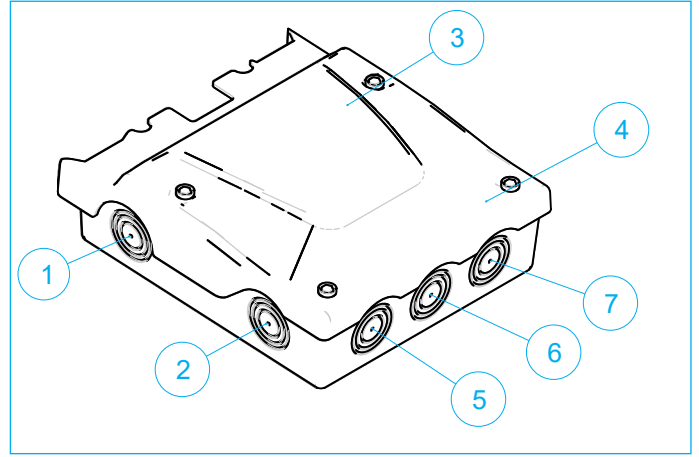
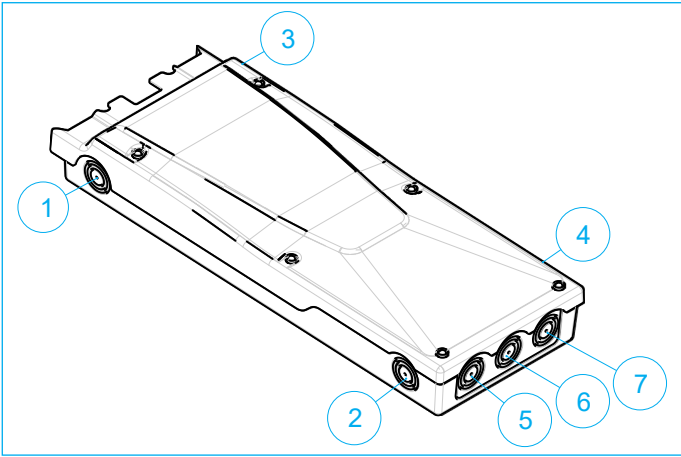


2.1 Place the SKIRT against the wall, with its top surface flush with the bottom of the BUDI-M box.

Note: center the SKIRT with the BUDI. Leave at least one inch space between the bottom of the SKIRT and the final grade for cover removal. If a duct for dropcable is present, position it in the lower right quadrant of the skirt opening.

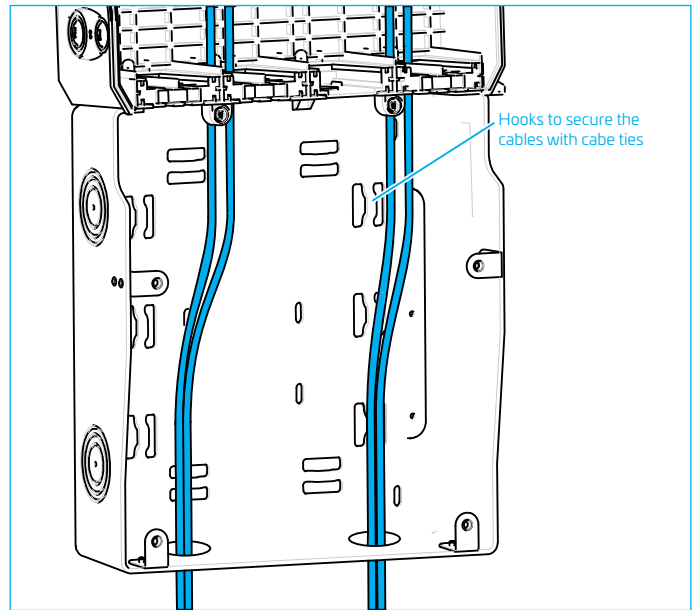
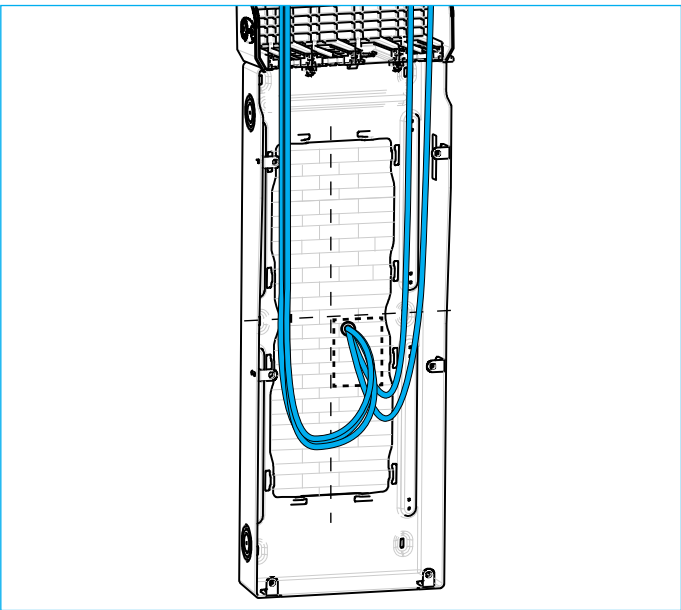
2.2 Mark the mounting positions. Mount the SKIRT per local practice (mounting screws not included in the kit).

3 Conduits



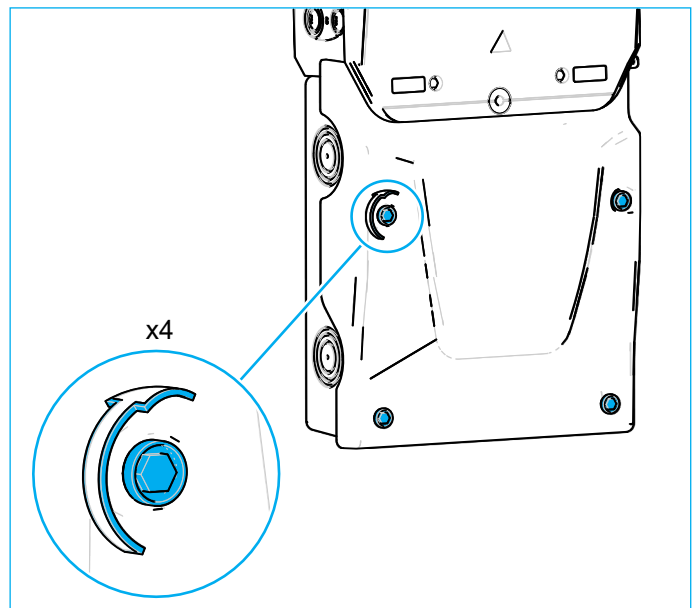
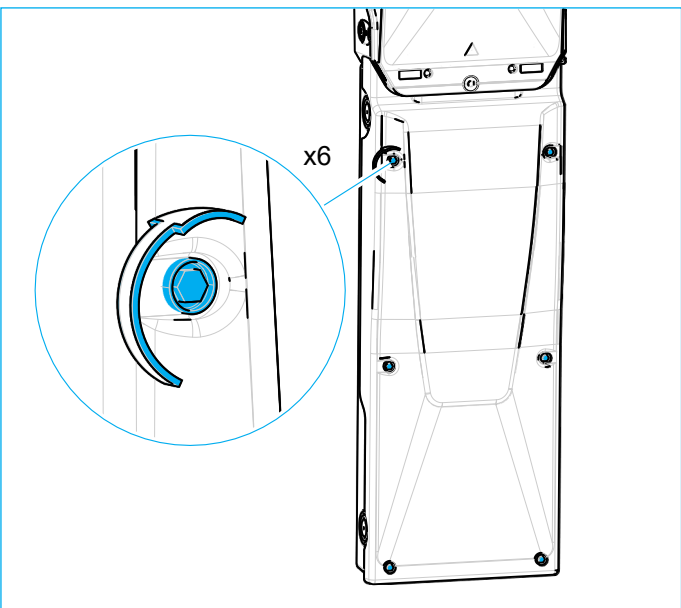
3.1 If a conduit fitting is required, drill hole along side or bottom using a hole saw bit. Reference pre-molded knock outs for conduit location and placement. Conduit can be installed to all sides except the top.

4 Organize cables



4.1 Arrange the cables and the pigtails in the SKIRT with respect to their bend radius

5 Remount the cover



5.1 Re-mount the cover of the SKIRT and rotate the fasteners clockwise to lock. Refer to the BUDI-M installation instruction for cable and pigtail installation. Assemble BUDI-M cover to BUDI-M box.