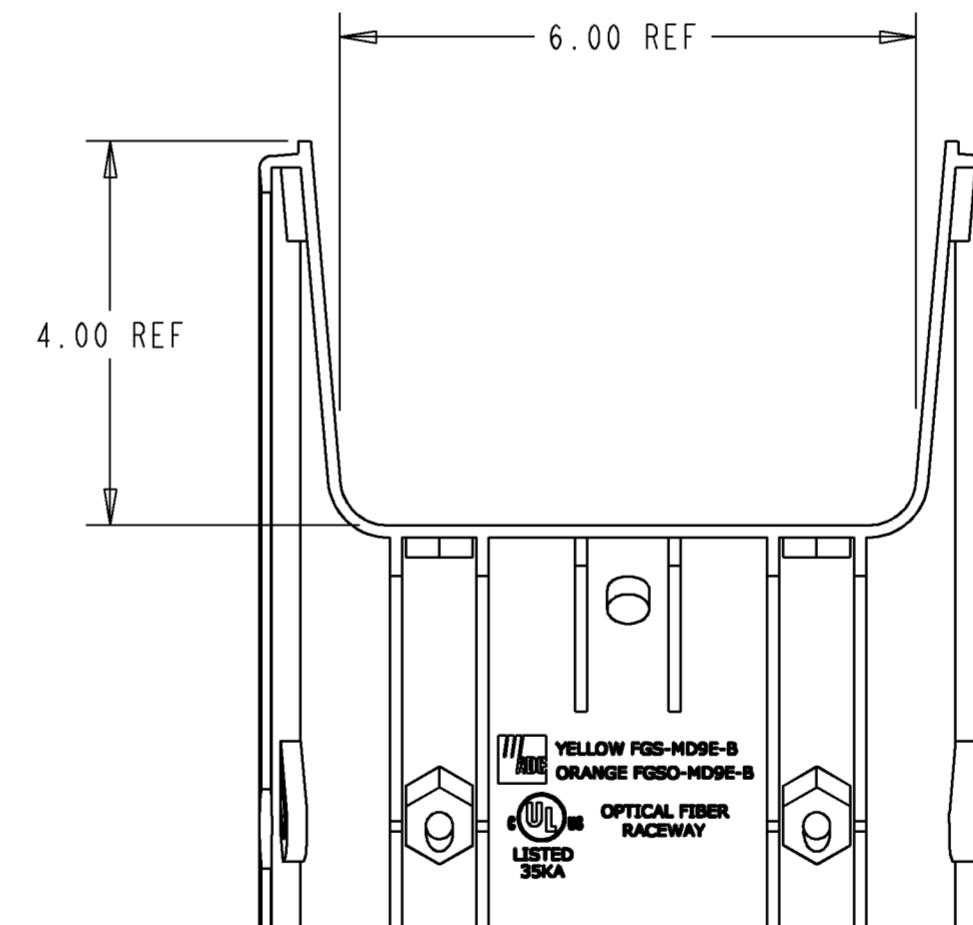
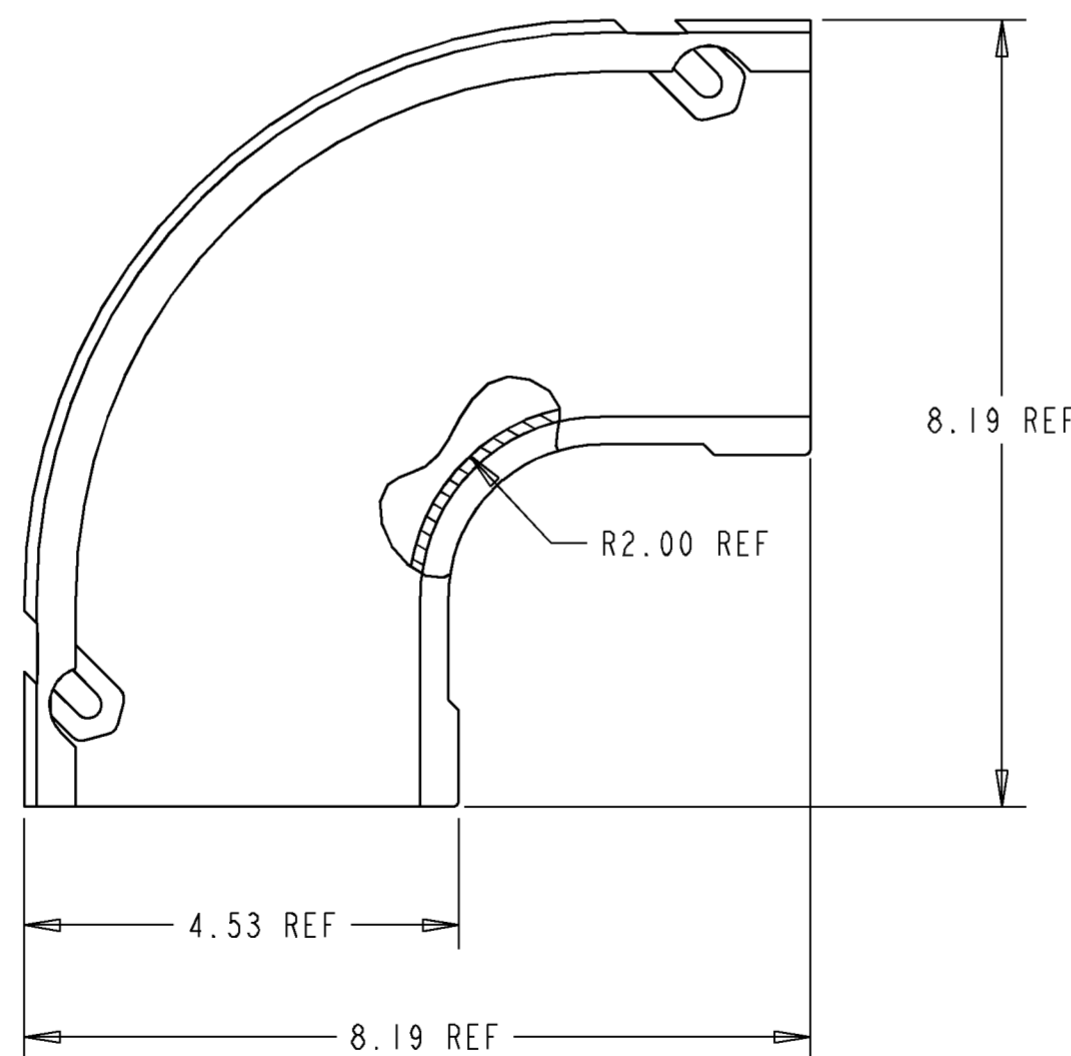
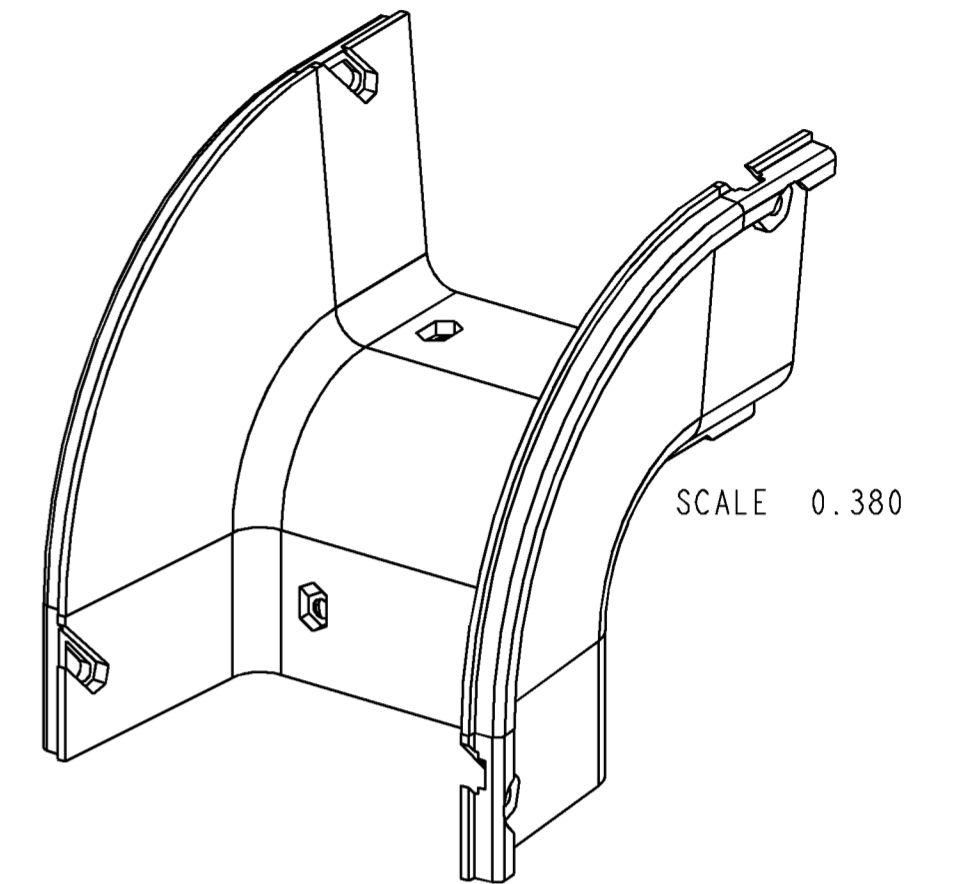
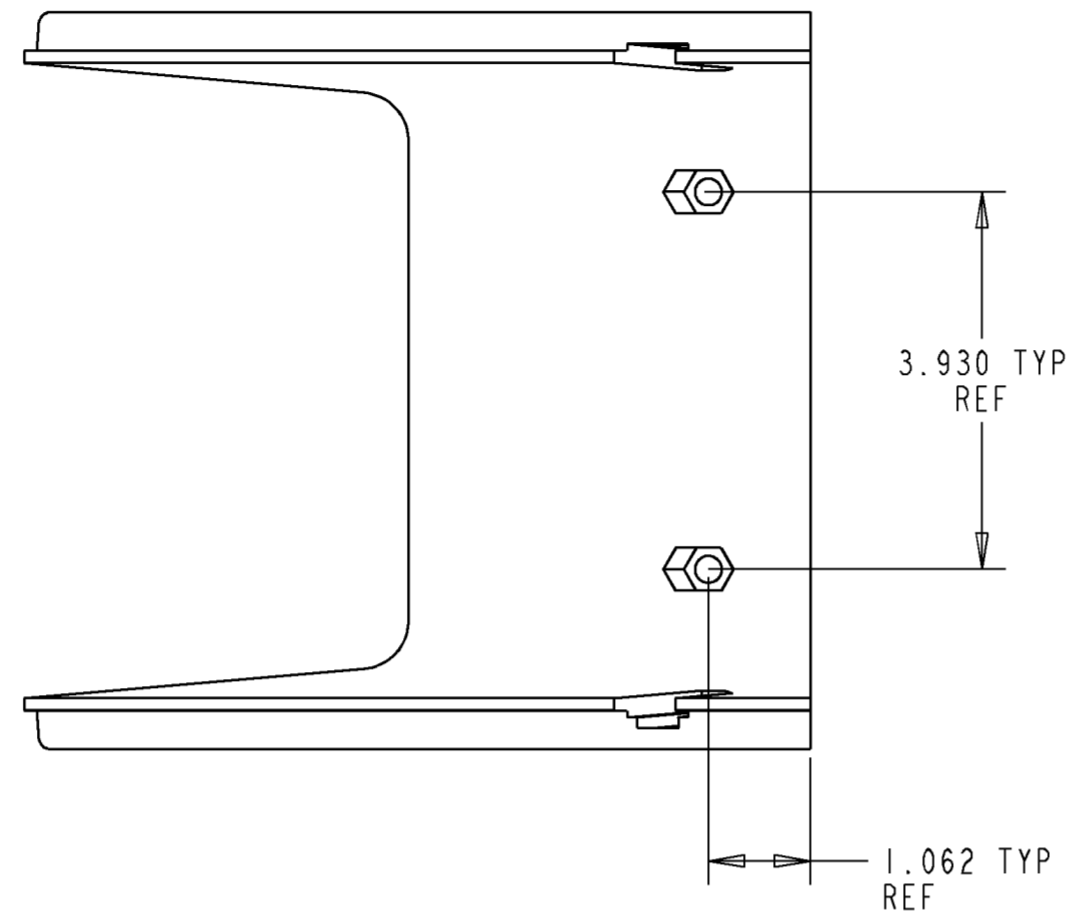


REV	MCO	DWN	DATE
B	20078000	CDZ	21-DEC-00
C	20238389	AED	22-APR-08



NOTES:

1. MATERIAL IS SELF EXTINGUISHING WITH A UL 94 RATING OF V-0.
2. COVERED BY U.S. PATENT NO.321,682. ISSUE DATE : NOVEMBER 26, 1991.

CATALOG NO.	COLOR
FGS-MD9E-B	YELLOW
FGSO-MD9E-B	ORANGE
FGSB-MD9E-B	BLACK



INFORMATION ON THIS DOCUMENT IS PROPRIETARY TO ADC AND SHALL NOT BE USED, COPIED, REPRODUCED OR DISCLOSED IN WHOLE OR IN PART WITHOUT WRITTEN CONSENT OF ADC.		TITLE ELBOW, 90° DOWN, 4X6, FGS	
ALL DIMS AND TOLERANCES ARE INCHES UNLESS OTHERWISE SPECIFIED	.XX:±.01 .XXX:±.005 ANGULAR:±1°	C SIZE	DRAWING NUMBER 4-40001-7987
DO NOT SCALE DRAWING	ENGR: T. HAATAJA DWN: DAN HECKSEL	SHT. 1 OF 1	

DIMENSIONS IN INCHES
THIRD ANGLE PROJECTION