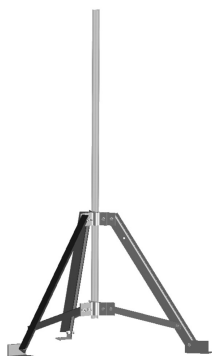


TP-G412-72



Universal Tripod Mount, 4-1/2 in OD x 72 in pipe

OBSOLETE

Replaced By:

TP-G412-96

Universal Tripod Mount, 4-1/2 in OD x 96 in pipe

Product Classification

Product Type Tripod mount

General Specifications

Mounting Surfaces

Note One 6 ft microwave antenna using 4-1/2 in pipe mast

Pipe, quantity 1

Dimensions

Height 1,828.8 mm | 72 in

Width 1524 mm | 60 in

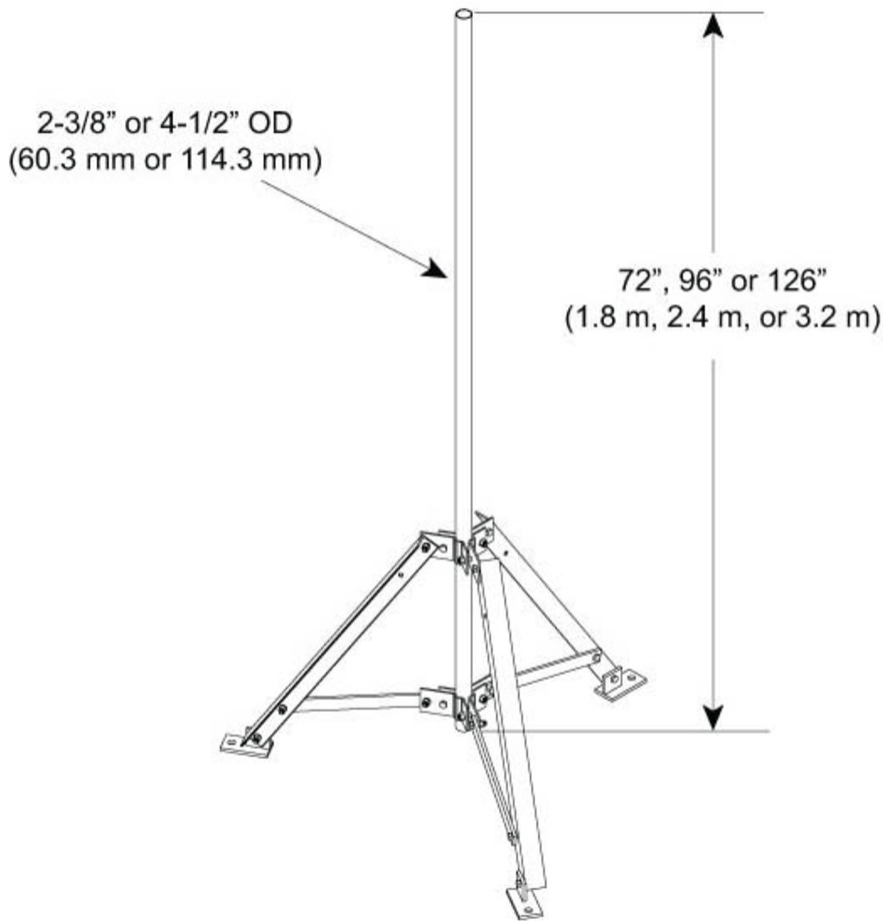
Length 1.524 m | 5 ft

Pipe Length 1,828.8 mm | 72 in

Pipe Outer Diameter 114.3 mm | 4.5 in

TP-G412-72

Outline Drawing



Material Specifications

Material Type Hot dip galvanized steel

Mechanical Specifications

Wind Rating 85 mph (BWS) at 100 ft AGL using Exposure C per UBC

Wind Rating Test Method TIA/EIA-222

Packaging and Weights

Included Mount, with or without pipe

Packaging quantity 1

TP-G412-72

Weight, net 108.1 kg | 238.319 lb

Regulatory Compliance/Certifications

Agency

ISO 9001:2015



Classification

Designed, manufactured and/or distributed under this quality management system

Included Products

- TP-G412-B - Universal Tripod Mount, base only, pipe not included

* Footnotes

Wind Rating

BWS—Base Wind Speed; FBC—Florida Building Code

TP-G412-B



Universal Tripod Mount, base only, pipe not included

Product Classification

Product Type Tripod mount

General Specifications

Mounting Surfaces

Note One 6 ft microwave antenna using 4-1/2 in pipe mast

Pipe, quantity 0

Dimensions

Height 838.2 mm | 33 in

Width 1524 mm | 60 in

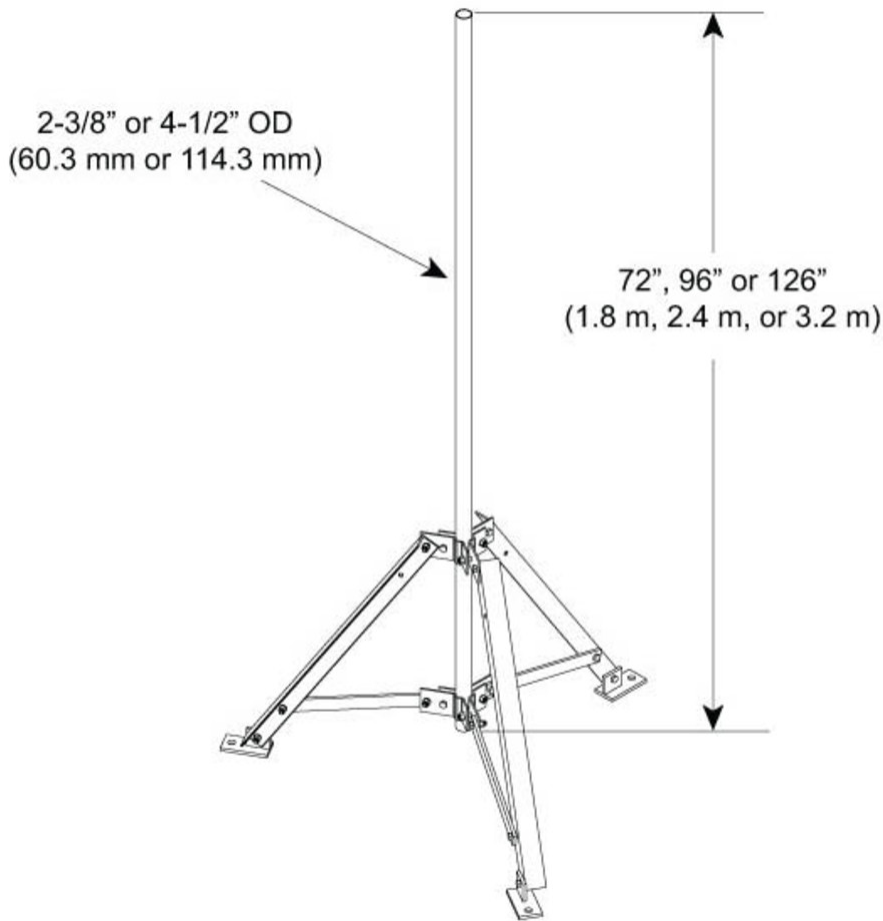
Length 1.524 m | 5 ft

Pipe Length 0 mm | 0 in

Pipe Outer Diameter 114.3 mm | 4.5 in

TP-G412-B

Outline Drawing



Material Specifications

Material Type Hot dip galvanized steel

Mechanical Specifications

Wind Rating 85 mph (BWS) at 100 ft AGL using Exposure C per UBC

Wind Rating Test Method TIA/EIA-222

Packaging and Weights

Included Mount, with or without pipe

Packaging quantity 1

TP-G412-B

Weight, net 78.7 kg | 173.504 lb

Regulatory Compliance/Certifications

Agency

ISO 9001:2015



Classification

Designed, manufactured and/or distributed under this quality management system

* Footnotes

Wind Rating

BWS—Base Wind Speed; FBC—Florida Building Code