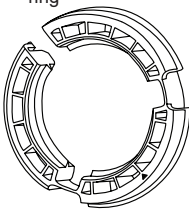


# Installation Instructions

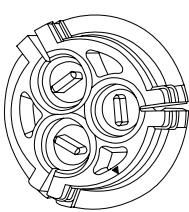
## Entry Boots and Wall/Roof Feed-through Plates for Coaxial Cable

Andrew Institute offers installation training.

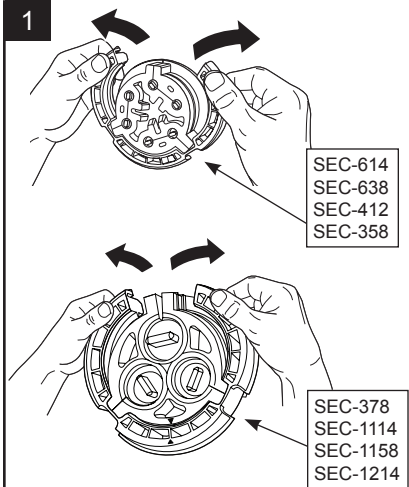
Compression ring



Cushion



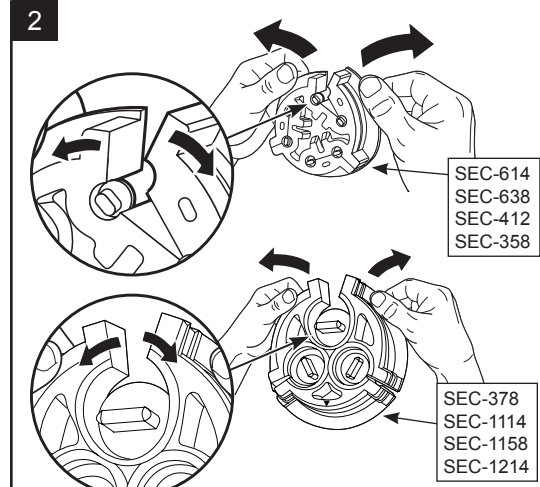
**1**



SEC-614  
SEC-638  
SEC-412  
SEC-358

SEC-378  
SEC-1114  
SEC-1158  
SEC-1214

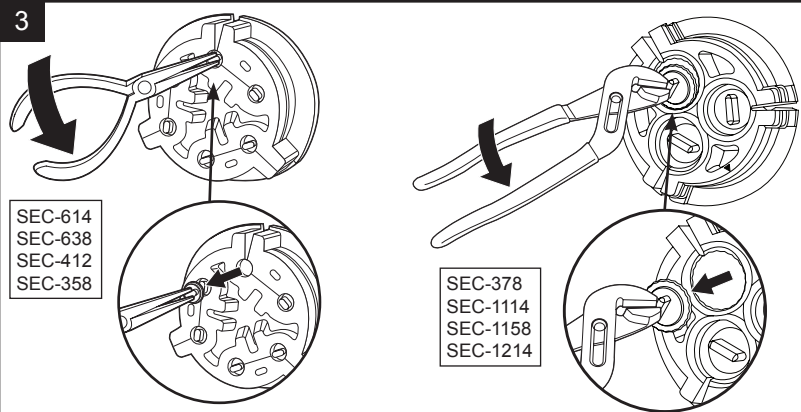
**2**



SEC-614  
SEC-638  
SEC-412  
SEC-358

SEC-378  
SEC-1114  
SEC-1158  
SEC-1214

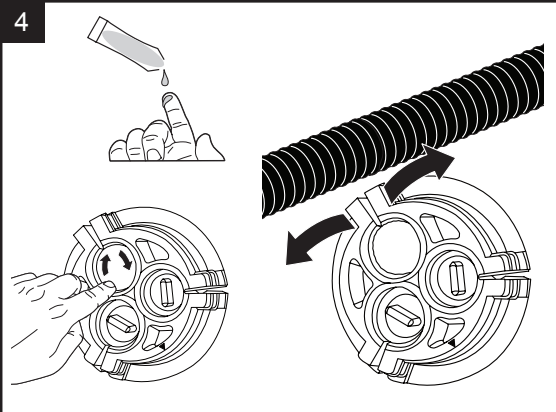
**3**



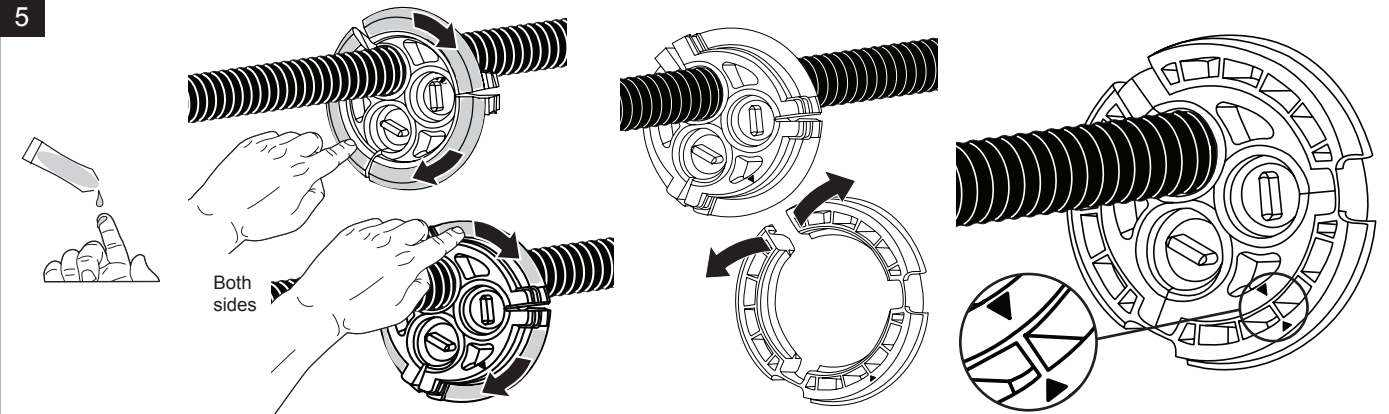
SEC-614  
SEC-638  
SEC-412  
SEC-358

SEC-378  
SEC-1114  
SEC-1158  
SEC-1214

**4**

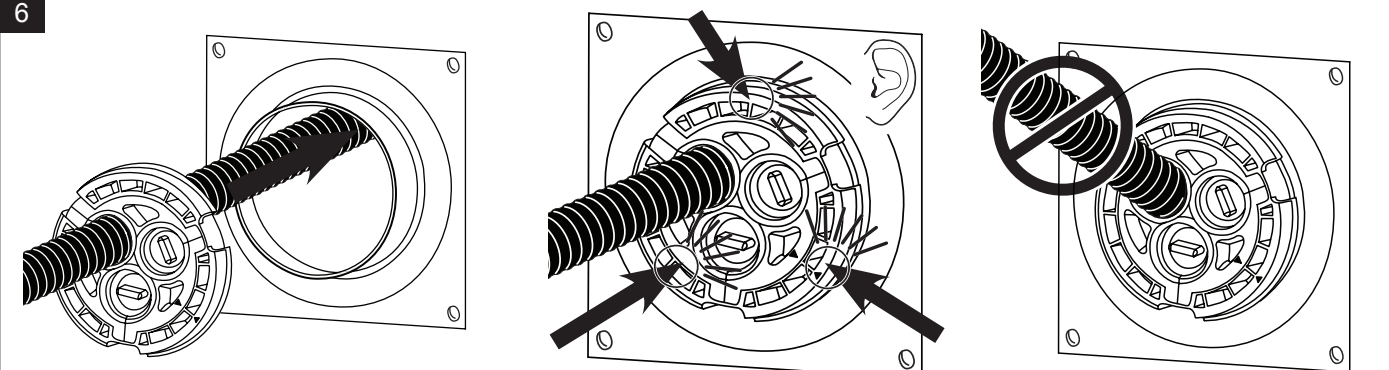


**5**



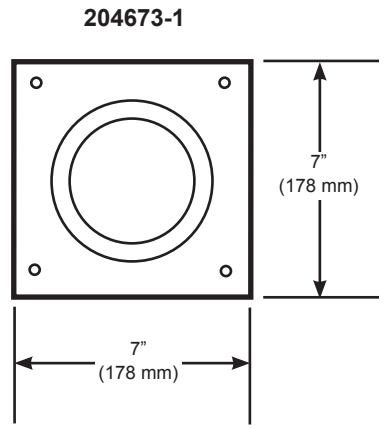
Both sides

**6**

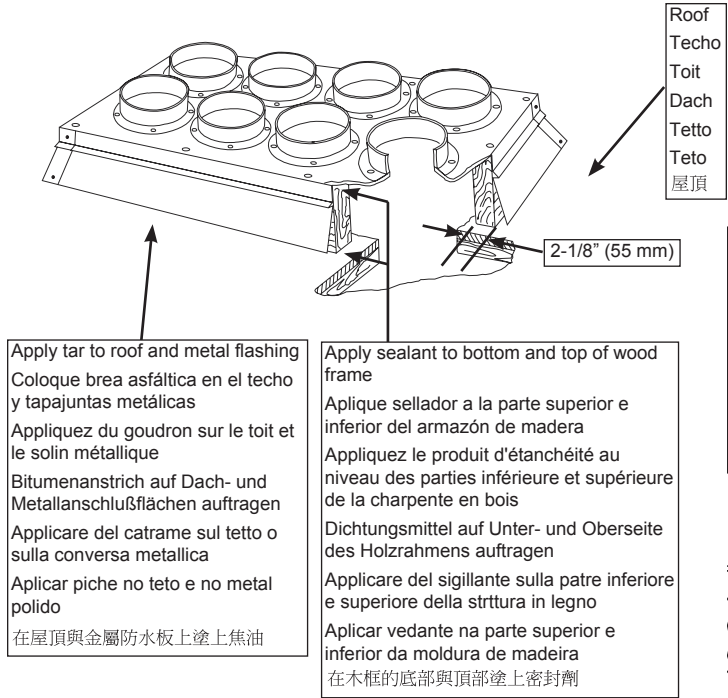


Part Number	Description
SEC-614	Snap-in entry cushion 6 X 1/4"
SEC-638	Snap-in entry cushion 6 X 3/8"
SEC-412	Snap-in entry cushion 4 X 1/2"
SEC-358	Snap-in entry cushion 3 X 5/8"
SEC-378	Snap-in entry cushion 3 X 7/8"
SEC-1114	Snap-in entry cushion 1 X 1 1/4"
SEC-1158	Snap-in entry cushion 1 X 1 5/8"
SEC-1214	Snap-in entry cushion 1 X 2 1/4"

4" (102 mm) Ports					
Part #	Style	Wall Opening Size, in (mm)		Overall Size, in. (mm)	
		Width	Height	Width	Height
204673-1	1X1	4" (102 mm)	4" (102 mm)	7" (178 mm)	7" (178 mm)
204673-2	1X1	4" (102 mm)	4" (102 mm)	5.5" (140 mm)	5.5" (140 mm)
204673-2A	1X2	10" (254 mm)	4" (102 mm)	7" (178 mm)	7" (178 mm)
204673-3	1X3	15" (381 mm)	4" (102 mm)	20" (508 mm)	9.5" (241 mm)
204673-4	1X4	20.5" (521 mm)	4" (102 mm)	25.5" (648 mm)	9.5" (241 mm)
204673-6	2X3	15" (381 mm)	9.5" (241 mm)	23" (584 mm)	17.5" (445 mm)
204673-8	2X4	20.5" (521 mm)	9.5" (241 mm)	25.5" (648 mm)	17.5" (445 mm)
204673-9	3X3	15" (381 mm)	15" (381 mm)	23" (584 mm)	23" (584 mm)
204673-10	2X5	26" (660 mm)	9.5" (241 mm)	31" (787 mm)	17.5" (445 mm)
204673-12	3X4	20.5" (521 mm)	15" (381 mm)	25.5" (648 mm)	25.5" (648 mm)
204673-16	4X4	20.5" (521 mm)	20.5" (521 mm)	25.5" (648 mm)	25.5" (648 mm)
204673-18	3X6	31.5" (521 mm)	15" (381 mm)	39.5" (1003 mm)	25.5" (648 mm)
204673-20	4X5	26" (660 mm)	20.5" (521 mm)	31" (787 mm)	28.5" (724 mm)
204673-24	4X6	31.5" (521 mm)	20.5" (521 mm)	39.5" (1003 mm)	31" (787 mm)

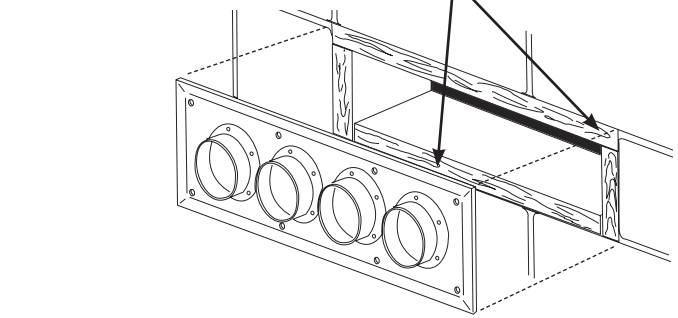


Apply sealant to frame and plate  
 Aplique sellador al armazón y a la placa  
 Appliquez le produit d'étanchéité sur la charpente et la plaque  
 Dichtungsmittel auf Rahmen und Platte auftragen.  
 applicare del sigillante sulla struttura e sulla piastra  
 Aplicar vedante na moldura e na placa  
 在框架與金屬板上塗上密封劑

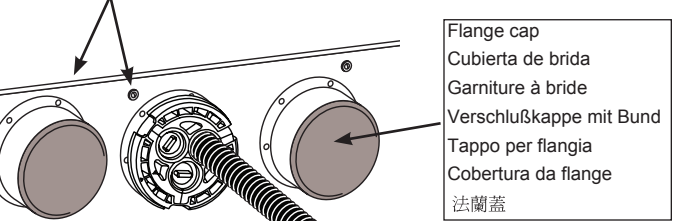


Apply tar to roof and metal flashing  
 Coloque breva asfáltica en el techo y tapajuntas metálicas  
 Appliquez du goudron sur le toit et le solin métallique  
 Bitumenanstrich auf Dach- und Metallanschlußflächen auftragen  
 Applicare del catrame sul tetto o sulla conversa metallica  
 Aplicar piche no teto e no metal polido  
 在屋頂與金屬防水板上塗上焦油

Apply sealant to bottom and top of wood frame  
 Aplique sellador a la parte superior e inferior del armazón de madera  
 Appliquez le produit d'étanchéité au niveau des parties inférieure et supérieure de la charpente en bois  
 Dichtungsmittel auf Unter- und Oberseite des Holzrahmens auftragen  
 Applicare del sigillante sulla parte inferiore e superiore della struttura in legno  
 Aplicar vedante na parte superior e inferior da moldura de madeira  
 在木框的底部與頂部塗上密封劑



Apply sealant to screws and edges of plate  
 Aplique sellador a los tornillos y a los bordes de la placa  
 Appliquez le produit d'étanchéité sur les vis et les bords de la plaque  
 Dichtungsmittel auf Schrauben und Plattenkanten auftragen  
 Applicare del sigillante sulle viti e sui bordi della piastra  
 Aplicar vedante nos parafusos e nas bordas da placa  
 在螺絲與金屬板的邊緣上塗上密封劑



Flange cap  
 Cubierta de brida  
 Garniture à bride  
 Verschlusskappe mit Bund  
 Tappo per flangia  
 Cobertura da flange  
 法蘭蓋

**Andrew Wireless Solutions**  
**Customer Service 24 hours**  
 U.S.A., Canada, Mexico:  
 for HELIAX® AVA Cables call 1-800-255-1479  
 for HELIAX® SFX, FXL Cables call 1-888-235-5732  
 U.K.: 0800 250055  
 Other Europe: +44 592 782 612

[www.commscope.com](http://www.commscope.com)  
 Visit our Web site at [www.commscope.com](http://www.commscope.com) or contact your local Andrew Wireless Solutions representative for more information.  
 © 2008 CommScope, Inc. All rights reserved.  
 Andrew Wireless Solutions is a trademark of CommScope. All trademarks identified by ® or ™ are registered trademarks or trademarks, respectively, of CommScope. This document is for planning purposes only and is not intended to modify or supplement any specifications or warranties relating to Andrew Wireless Solutions products or services.

Notice: Andrew disclaims any liability or responsibility for the results of improper or unsafe installation, inspection, maintenance, or removal practices.  
 Aviso: Andrews no acepta ninguna obligación ni responsabilidad como resultado de prácticas incorrectas o peligrosas de instalación, inspección, mantenimiento o retiro.  
 Avis: Andrew décline toute responsabilité pour les conséquences de procédures d'installation, d'inspection, d'entretien ou de retrait incorrectes ou dangereuses.  
 Hinweis: Andrew lehnt jede Haftung oder Verantwortung für Schäden ab, die aufgrund unsachgemäßer Installation, Überprüfung, Wartung oder Demontage auftreten.  
 Atenção: A Andrew abdica do direito de toda responsabilidade pelos resultados de práticas inadequadas e sem segurança de instalação, inspeção, manutenção ou remoção.  
 Avvertenza: Andrew declina eventuali responsabilità derivanti dall'esecuzione di procedure di installazione, ispezione, manutenzione e smontaggio improprie o poco sicure.  
 注意: Andrew 公司申明對於不恰當或不安全的安裝、檢驗、維修或拆卸操作所導致的後果不負責任 何義務和責任