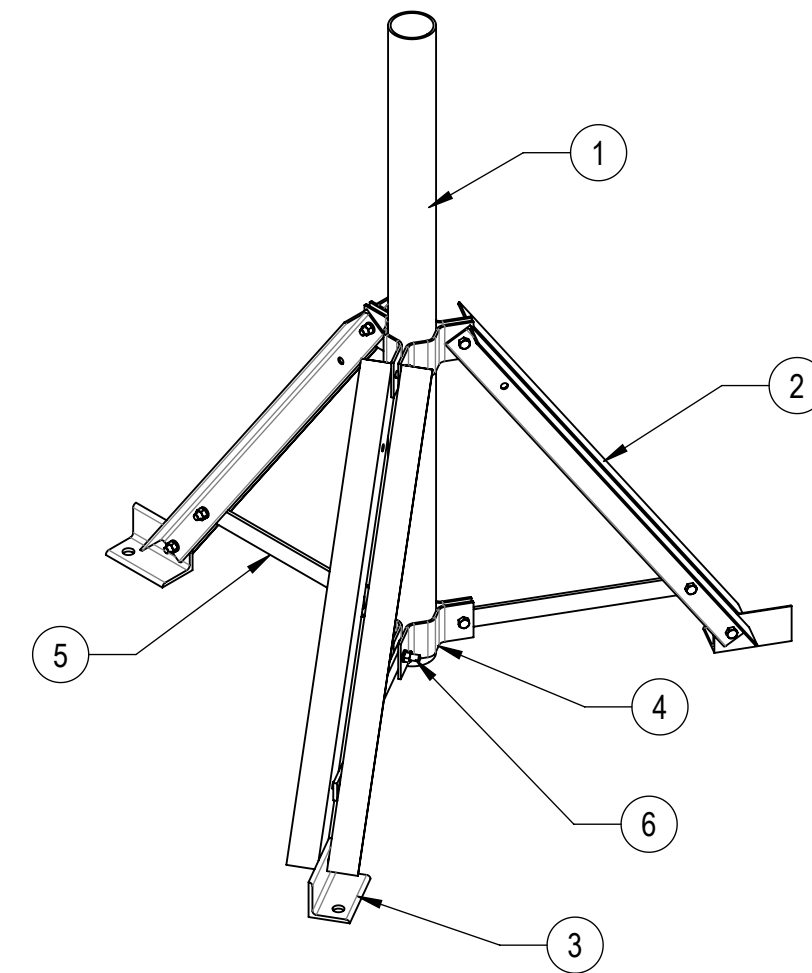
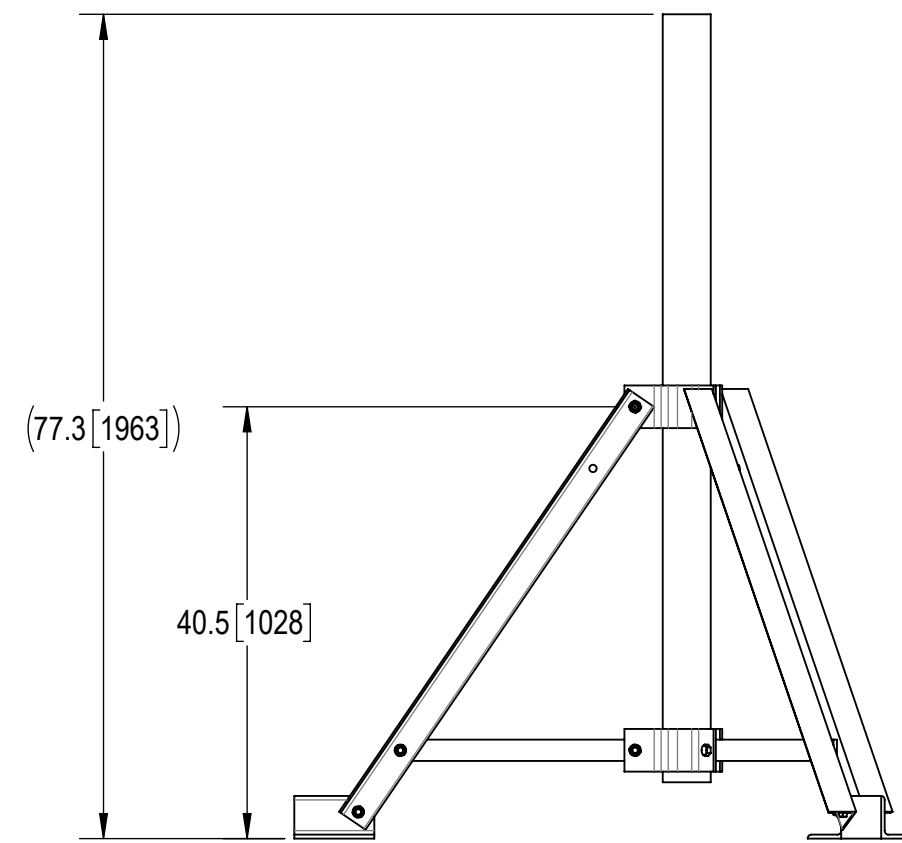
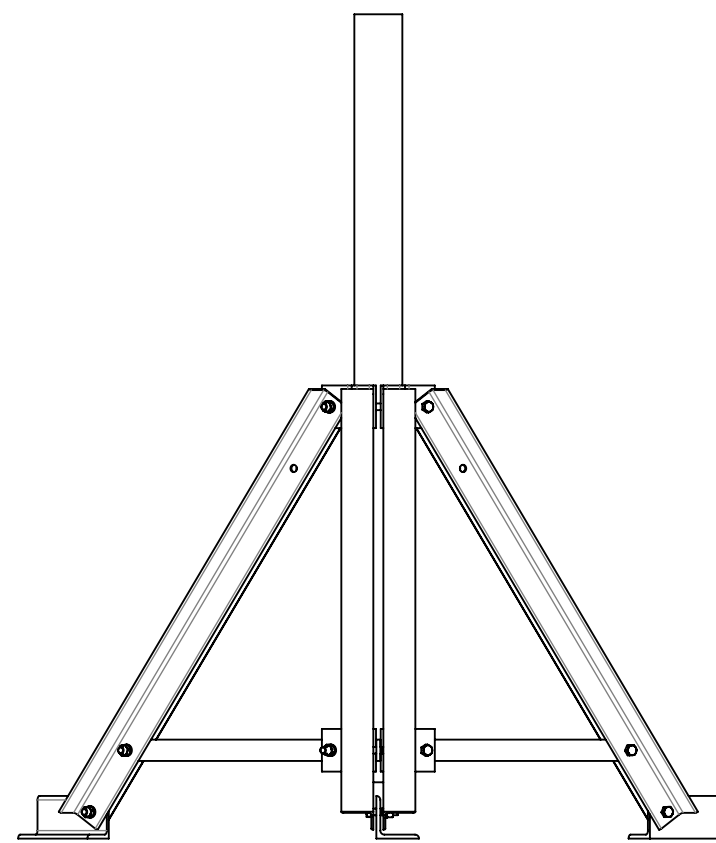
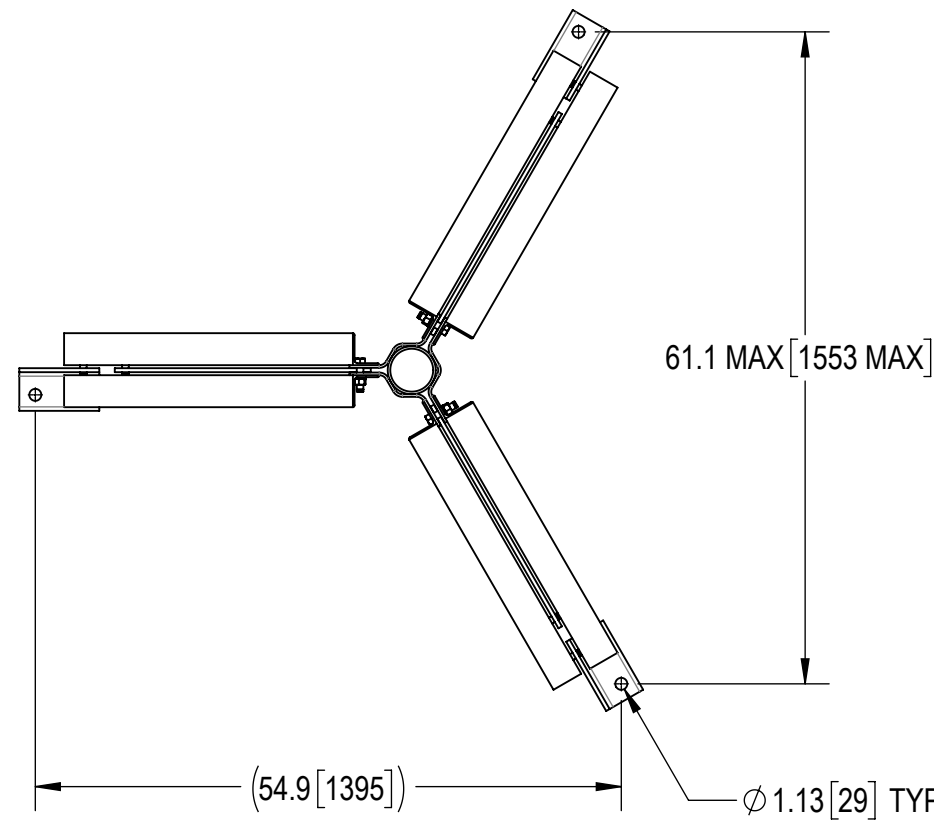


- 1.0 GENERAL NOTES
 1.1 ALL METRIC DIMENSIONS ARE IN BRACKETS [X.X]
 1.2 FOR PATENT INFO: <https://www.cs-pat.com>
 2.0 DESIGN NOTES
 3.0 MANUFACTURING/SPECIAL REQUIREMENTS
 3.1 TIGHTEN ALL BOLTS SECURING FLAT PLATES BY THE TURN-OF-NUT METHOD. TIGHTEN ALL U-BOLTS USING TURN-OF-NUT METHOD WITH ATTENTION TO LEAVE EQUAL DISTANCE AND EQUAL FORCE ON EACH LEG OF THE U-BOLT.
 4.0 TEST
 5.0 PACKAGING
 5.1 PACKAGING SHALL MEET COMMSCOPE REQUIREMENTS PER DOCUMENT IS-PL-3005
 5.2 PRINTED DOCUMENT TO BE PLACED INSIDE POLYBAG AND THEN IN SHIPPING CONTAINER
 5.3 EXTRA HARDWARE MAY BE SUPPLIED, BAGGED AND SHIPPED

REVISIONS			
REV.	DESCRIPTION	DATE	APPROVED
F	INITIAL RELEASE	LL1090 20JUN24	BA1025 40198577CMO



COMPONENT PART NUMBERS PROVIDED FOR ASSEMBLY PURPOSES;
 INDIVIDUAL COMPONENTS MAY BE SHIPPED AS PARTS WITHIN AN INCLUDED KIT.

ITEM NO.	PART NUMBER	DESCRIPTION	QTY.	WEIGHT	NOTE NO.
1	MT-654	4.5" O.D. X 72" PIPE	1	65.75 LBS	
2	TPG412B09	TRIPOD LEG ANGLE	6	14.74 LBS	
3	TPG412B07	FOOT FOR TPG SERIES TRIPOD	3	5.84 LBS	
4	TPG412B02	4-1/2" TRIPOD CLAMP	6	3.05 LBS	
5	TPG412B04	LEG BRACE (EA)	3	4.99 LBS	
6	GB-05245	5/8" X 2-1/2" GALV BOLT KIT	12	0.30 LBS	

DENSITY		lbs/in ³
MASS	209.94	lbs
VOLUME	742.94	in ³
SURFACE AREA	6752.25	in ²
HEIGHT	77.3"	
LENGTH	65.7"	
WIDTH	58.2"	

© 2024 CommScope, Inc. Confidential

COMMSCOPE, INC. OF NORTH CAROLINA									
TOLERANCES		SAP MATERIAL MASTER							
1 PLACE .X[X] ± 0.12[3.0]	3 PLACE .XXX[X] ± 0.030[0.8]	TP-G412-72							
2 PLACE .XX[X] ± 0.06[1.5]	ANGLES ± 2°								
FINISH		MATERIAL							
UNLESS OTHERWISE SPECIFIED DIMENSIONS ARE IN INCHES INTERPRET PER ANSI Y 14.5M-1994	NAME	DATE	TITLE						
	CE LL1090	20JUN24	UNIV. TRIPOD MOUNT W/ 72" X 4-1/2" P						
	RW LL1090	06/20/2024							
	AD YMENG	06/21/2024	SCALE	DOCUMENT NO.					
	RE YMENG	06/21/2024	1:12	TP-G412-72					
ECN 40198577CMO									
SIZE	Auth Group	INSL	MODEL						
C			VERSION	STATUS	REVISION	VERSION	STATUS	REVISION	SHEET
			02	RE	H	00	RE	F	1 OF 1