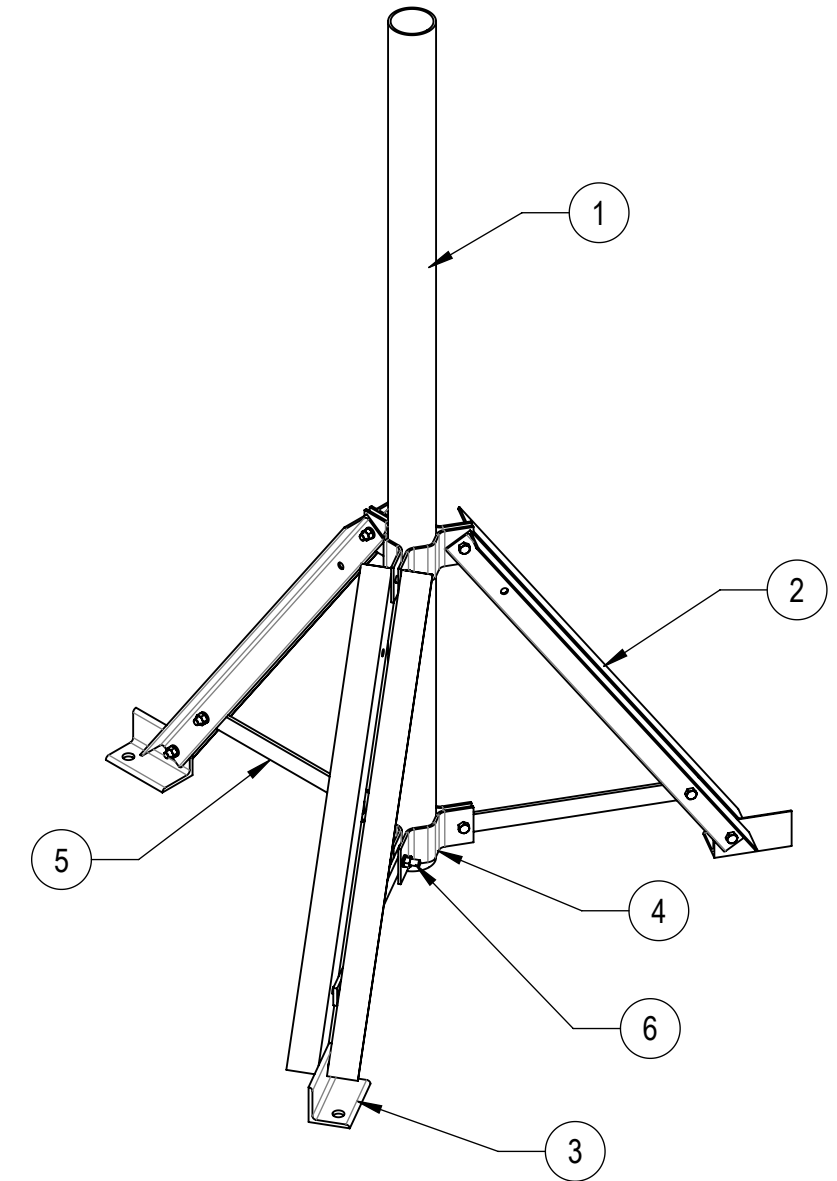
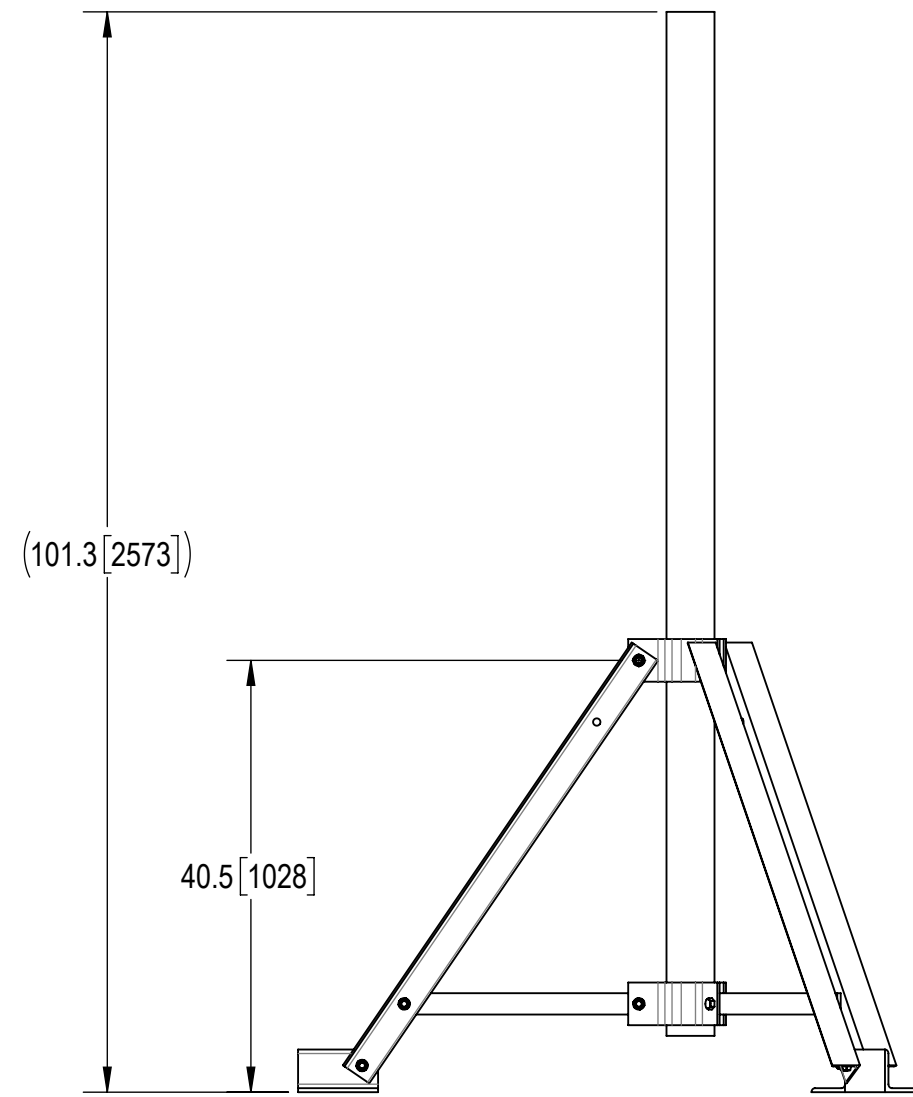
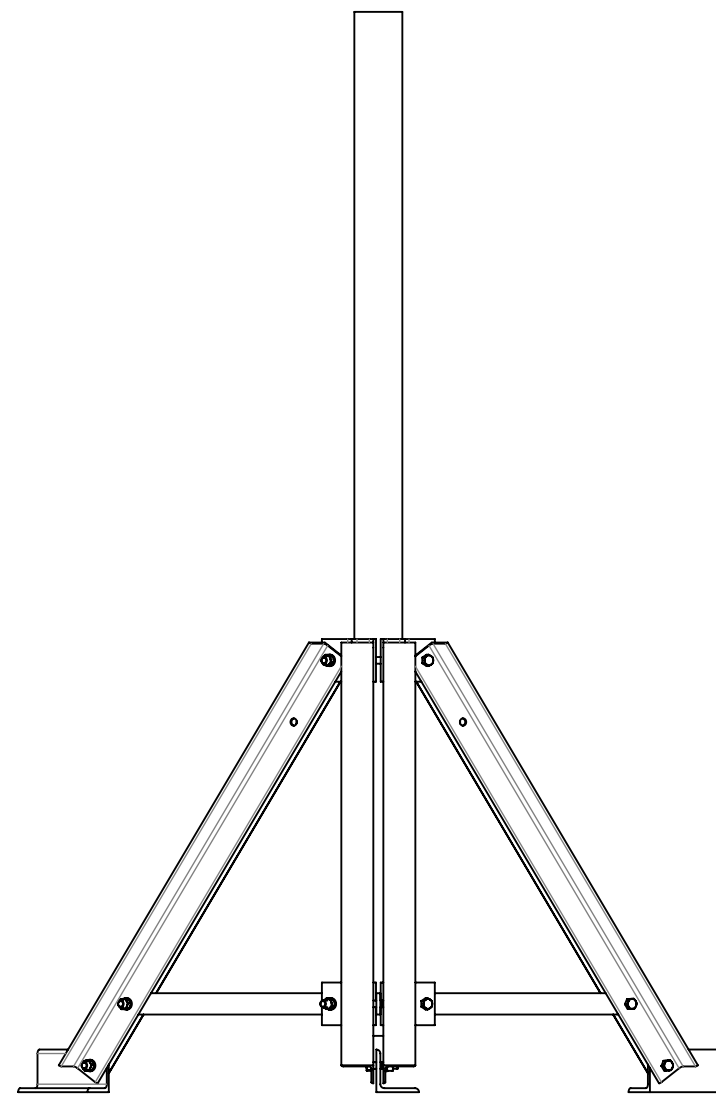
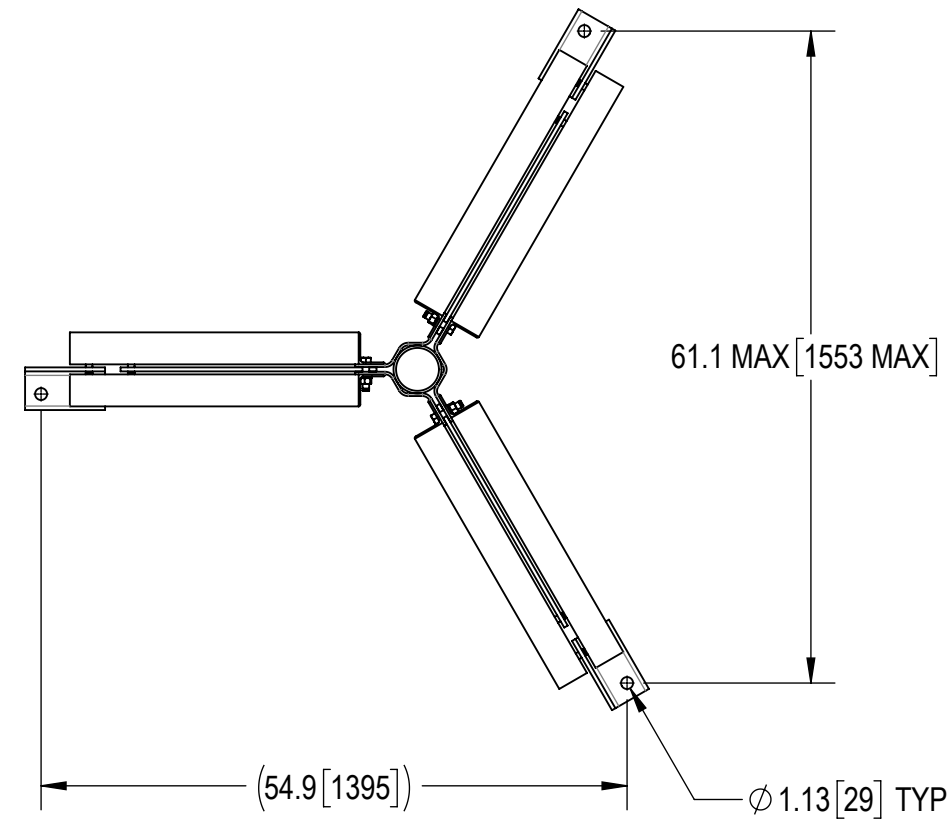


- 1.0 GENERAL NOTES
 - 1.1 ALL METRIC DIMENSIONS ARE IN BRACKETS [X.X]
 - 1.2 FOR PATENT INFO: <https://www.cs-pat.com>
- 2.0 DESIGN NOTES
- 3.0 MANUFACTURING/SPECIAL REQUIREMENTS
 - 3.1 TIGHTEN ALL BOLTS SECURING FLAT PLATES BY THE TURN-OF-NUT METHOD. TIGHTEN ALL U-BOLTS USING TURN-OF-NUT METHOD WITH ATTENTION TO LEAVE EQUAL DISTANCE AND EQUAL FORCE ON EACH LEG OF THE U-BOLT.
- 4.0 TEST
- 5.0 PACKAGING
 - 5.1 PACKAGING SHALL MEET COMMSCOPE REQUIREMENTS PER DOCUMENT IS-PL-3005
 - 5.2 PRINTED DOCUMENT TO BE PLACED INSIDE POLYBAG AND THEN IN SHIPPING CONTAINER
 - 5.3 EXTRA HARDWARE MAY BE SUPPLIED, BAGGED AND SHIPPED

REVISIONS			
REV.	DESCRIPTION	DATE	APPROVED
F	INITIAL RELEASE	LL1090 20JUN24	BA1025 40198577CMO



COMPONENT PART NUMBERS PROVIDED FOR ASSEMBLY PURPOSES;
INDIVIDUAL COMPONENTS MAY BE SHIPPED AS PARTS WITHIN AN INCLUDED KIT.

ITEM NO.	PART NUMBER	DESCRIPTION	QTY.	WEIGHT	NOTE NO.
1	MT-654-96	4.5" O.D. X 96" PIPE	1	87.67 LBS	
2	TPG412B09	TRIPOD LEG ANGLE	6	14.74 LBS	
3	TPG412B07	FOOT FOR TPG SERIES TRIPOD	3	5.84 LBS	
4	TPG412B02	4-1/2" TRIPOD CLAMP	6	3.05 LBS	
5	TPG412B04	LEG BRACE (EA)	3	4.99 LBS	
6	GB-05245	5/8" X 2-1/2" GALV BOLT KIT	12	0.30 LBS	

DENSITY		lbs/in ³
MASS	231.86	lbs
VOLUME	820.02	in ³
SURFACE AREA	7394.65	in ²
HEIGHT	101.3"	
LENGTH	65.7"	
WIDTH	58.2"	

© 2024 CommScope, Inc. Confidential

COMMSCOPE, INC. OF NORTH CAROLINA			
TOLERANCES		SAP MATERIAL MASTER	
1 PLACE .X[X] ± 0.12[3.0]	3 PLACE .XXX[X] ± 0.030[0.8]	TP-G412-96	
2 PLACE .XX[X] ± 0.06[1.5]	ANGLES ± 2°	FINISH	
FINISH		MATERIAL	
<small>UNLESS OTHERWISE SPECIFIED DIMENSIONS ARE IN INCHES INTERPRET PER ANSI Y 14.5M-1994</small>		NAME	DATE
		CE LL1090	20JUN24
		RW LL1090	06/21/2024
		AD YMENG	06/21/2024
TITLE		SCALE	
UNIV. TRIPOD MOUNT W/ 96" X 4-1/2" P		1:12	
		DOCUMENT NO.	
ECN 40198577CMO		TP-G412-96	
SIZE	Auth Group	INSL	MODEL
C			VERSION
			STATUS
			REVISION
			VERSION
			STATUS
			REVISION
			DRAWING
			VERSION
			STATUS
			REVISION
			SHEET
			1 OF 1