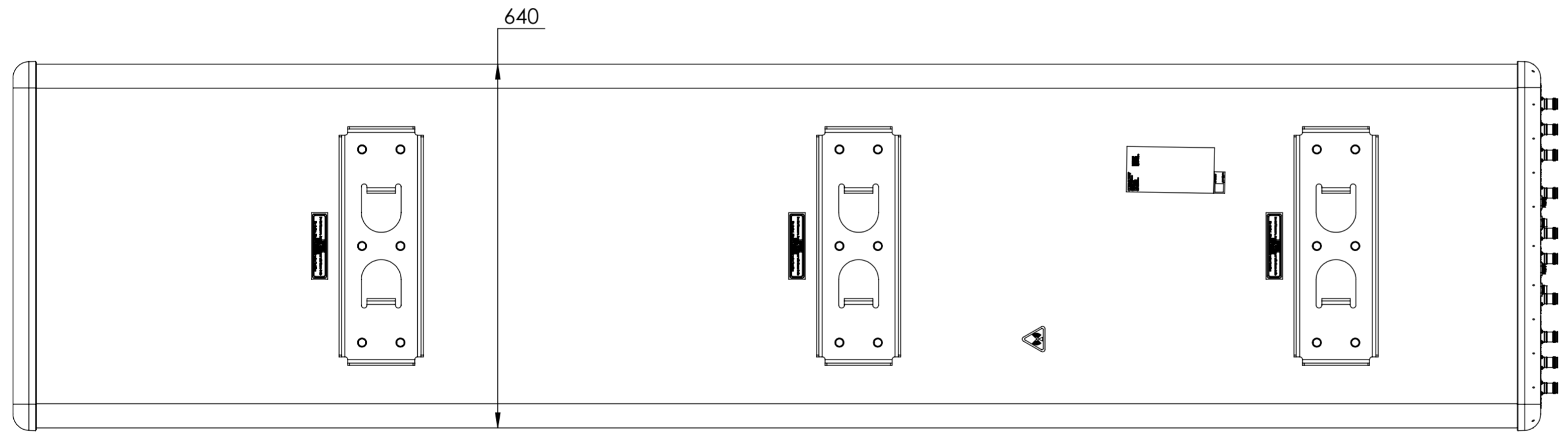
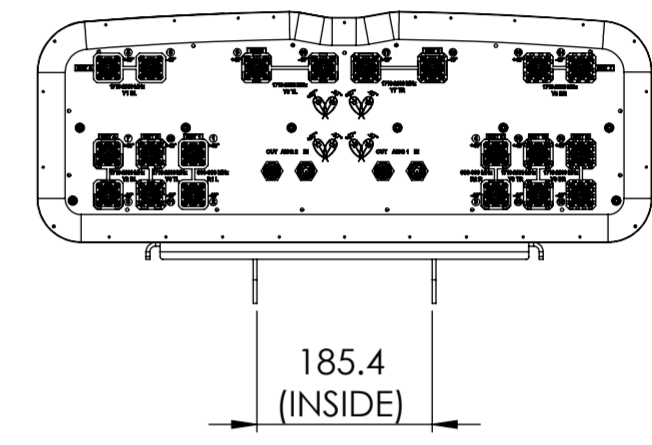
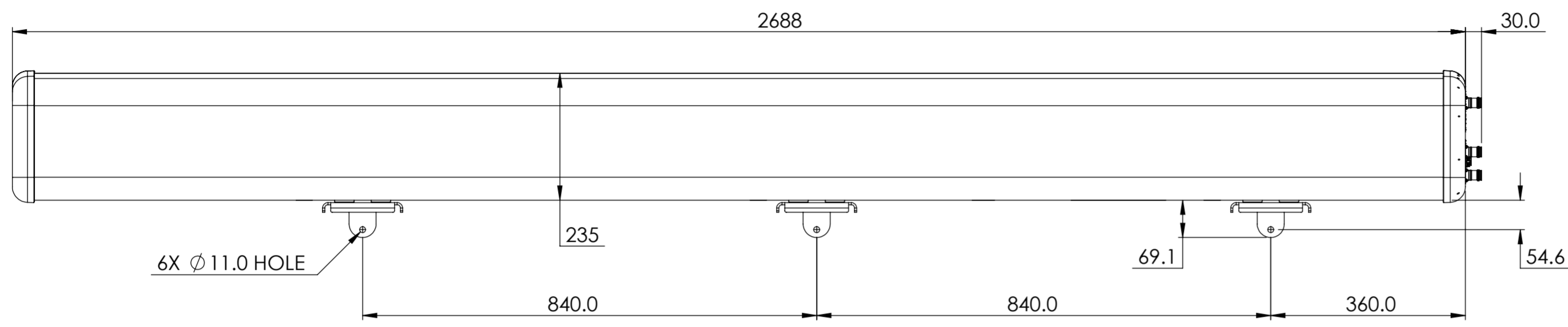


REVISIONS			
REV.	DESCRIPTION	DATE	APPROVED
A	ECR 40176427CMO: RELEASE TO PRODUCTION PER EAO 612205.	09APR24 GJH	SWU/PJ



RR2V4-6533D-R10

COMMSCOPE, INC. OF NORTH CAROLINA

TOLERANCES		SAP MATERIAL MASTER	
0 PLACE X ±	2 PLACE .XX ±		
1 PLACE .X ±	ANGLES ±		
FINISH		MATERIAL	
<small>UNLESS OTHERWISE SPECIFIED DIMENSIONS ARE IN MILLIMETERS INTERPRET PER ISO STANDARDS HANDBOOK TECHNICAL DRAWINGS VOLUMES 1 & 2, THIRD EDITION (2002)</small>		NAME	DATE
		CE	
		RW	
		AD	
		RE	
ECN		TITLE	
		PRODUCT DRAWING	
SCALE	DOCUMENT NO.		
1:8	RR2V4-6533D-R10-L		
SIZE	Auth Group	MODEL	
A2		VERSION	STATUS
		REVISION	REVISION
		DRAWING	
		VERSION	STATUS
		REVISION	REVISION
		SHEET	
		1 OF 1	

DENSITY	g/mm ³
MASS	grams
VOLUME	mm ³
SURFACE AREA	mm ²
HEIGHT	
LENGTH	
WIDTH	