

## 1. General Information

Important: The minimum installation temperature for the the Fiber External Grounding kit is 5°C (41°F).

This installation practice explains how to install the Fiber External Grounding (FEG) kit when used with FOSC 400 fiber optic splice closures. This kit allows you to externally ground and isolate individual cable shields. One FEG kit per cable is required for isolated grounding.

Caution: Read and follow all safety precautions documented in the FOSC closure installation instructions.

## 2. Kit Components

The FEG kit contains these components:

- 1 connectorized ground wire
- 1 heat-shrinkable tube
- 1 nut and screw assembly
- Tie wraps
- 1 SCOP
- Installation instructions

## 3. Installation Instructions

Follow the FOSC closure or cable seal installation instructions until you reach the section regarding the bonding and external grounding of metal components. Complete the appropriate subset of instructions on the following pages.

### 3.1 Isolated Grounding

1. Feed the external ground wire through the port so that the external ground wire eyelet aligns with the cable bonding wire eyelet inside the closure.
2. Connect the bonding wire eyelet to the external ground wire eyelet with the nut and screw included in the FEG kit.
3. To electrically insulate the connection, slide the provided heat-shrinkable tube over the nut and screw, and shrink it with the hot-air gun. (Fig. 1)
4. Repeat Steps 1 - 4 for each cable to be isolated and grounded. One FEG kit is required for each cable that will be isolated and grounded.
5. Metallic cable strength members must also be isolated from the metal components in the closure. After the cable seal is installed, disconnect the metallic strength members from the washer. Insulate the strength members with another piece of heat-shrink tubing or a transportation tube.

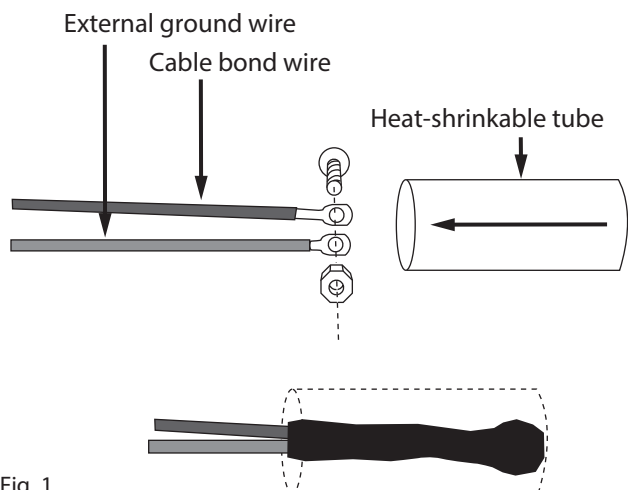


Fig. 1

### 3.2 Sealing Ports with Hot Air Seals (FOSC 400 Closures)

1. Clean, abrade, and mark the cables and apply aluminum tape to the cables as directed in the FOSC closure or Cable Seal Installation Instructions.
2. Wrap the SCOP around the external ground wire, aligning the SCOP with the inside edge of the aluminum tape. Note orientation of SCOP as shown on release paper. (Fig. 2)
3. Place a tie wrap around each cable and its external ground wire just outside the port to hold the ground wire in place during the sealing process. Place a second tie wrap around each cable and ground wire just beyond the SCOP.

Note: Position the heads of the tie wraps toward the inside of the cable and trim the ends so that the heads don't poke through the heat-shrink sleeve.

Important: Position the bond wires and tie wraps relative to the cables as shown in Figs. 2 and 3.

4. For instructions on sealing the port, refer to the FOSC 400 closure or cable seal installation instructions.
5. After sealing the closure, ground the external ground wire in accordance with company-approved practices. The ground connection to the FEG wire can be insulated with heat-shrinkable tubing (purchased separately).

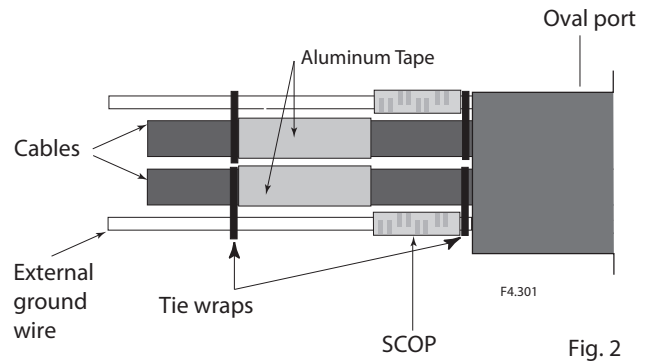


Fig. 2

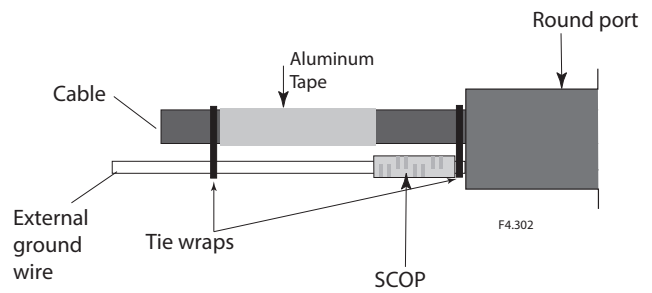


Fig. 3

Technical Assistance Center (TAC)  
Tel.: 800.830.5056  
Email: TAC.Americas@commscope.com  
www.commscope.com

FOSC 400 is a trademark of CommScope Inc.

The information given herein, including drawings, illustrations and schematics which are intended for illustration purposes only, is believed to be reliable. However, CommScope makes no warranties as to its accuracy or completeness and disclaims any liability in connection with its use. CommScope's obligations shall only be as set forth in CommScope's Standard Terms and Conditions of Sale for this product and in no case will CommScope be liable for any incidental, indirect or consequential damages arising out of the sale, resale, use or misuse of the product. Users of CommScope products should make their own evaluation to determine the suitability of each such product for the specific application.