

### 1.0 General Product Information

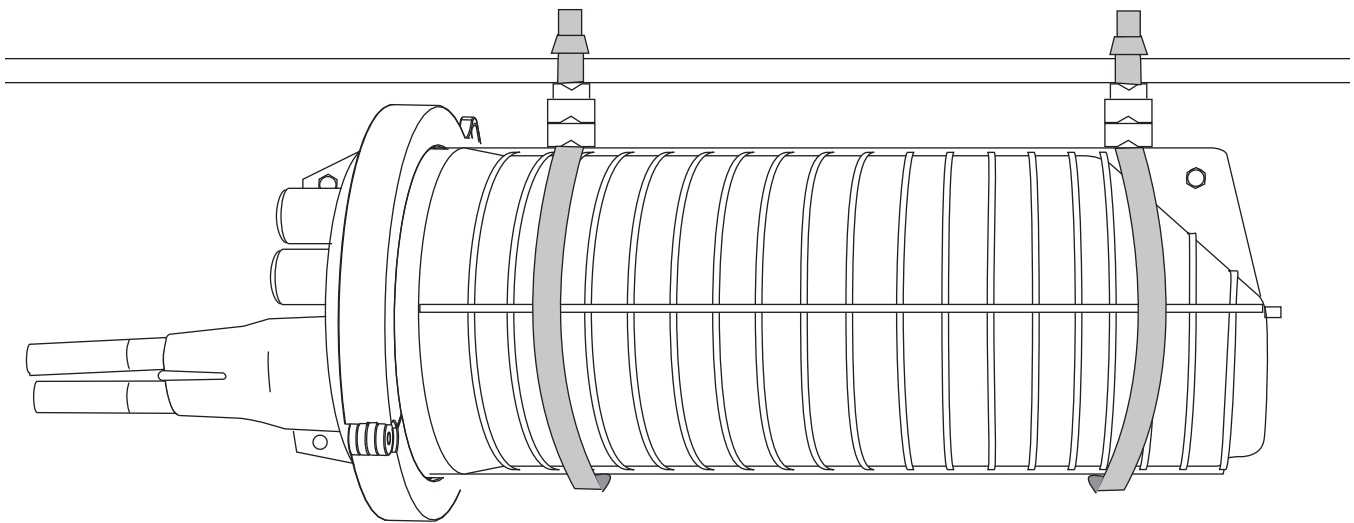
The FOSC ACC Lashing Kit provides components required to mount a FOSC 250 closure, a FOSC 400 D5, B2, B4, or A4 closure or a FOSC 450 A, B, BS, C, or D closure on an aerial strand or manhole pipe.

### 2.0 Kit Contents

- |                                    |                             |
|------------------------------------|-----------------------------|
| • 2 large tie-wraps                | or                          |
| • 2 stainless steel lashing straps | • 2 large tie-wraps         |
| • 4 spacers                        | • 4 spacers                 |
| • Installation instructions        | • Installation instructions |

### 3.0 Installation Instructions

Use either the tie-wraps or the steel lashing straps as indicated by your company-approved practices. Wrap the tie-wraps or lashing straps around the closure, through the spacers, and around the strand or pipe as shown in the figure below.



FOSC 250, FOSC 400, FOSC 450, CommScope (logo) and CommScope are trademarks of the Commscope group of companies and its licensors.

Technical Assistance Center (TAC)  
 Tel.: 800.830.5056  
 Email: TAC.Americas@commscope.com  
 www.commscope.com

The information given herein, including drawings, illustrations and schematics which are intended for illustration purposes only, is believed to be reliable. However, CommScope makes no warranties as to its accuracy or completeness and disclaims any liability in connection with its use. Commscope obligations shall only be as set forth in CommScope Standard Terms and Conditions of Sale for this product and in no case will CommScope be liable for any incidental, indirect or consequential damages arising out of the sale, resale, use or misuse of the product. Users of CommScope products should make their own evaluation to determine the suitability of each such product for the specific application.