

4

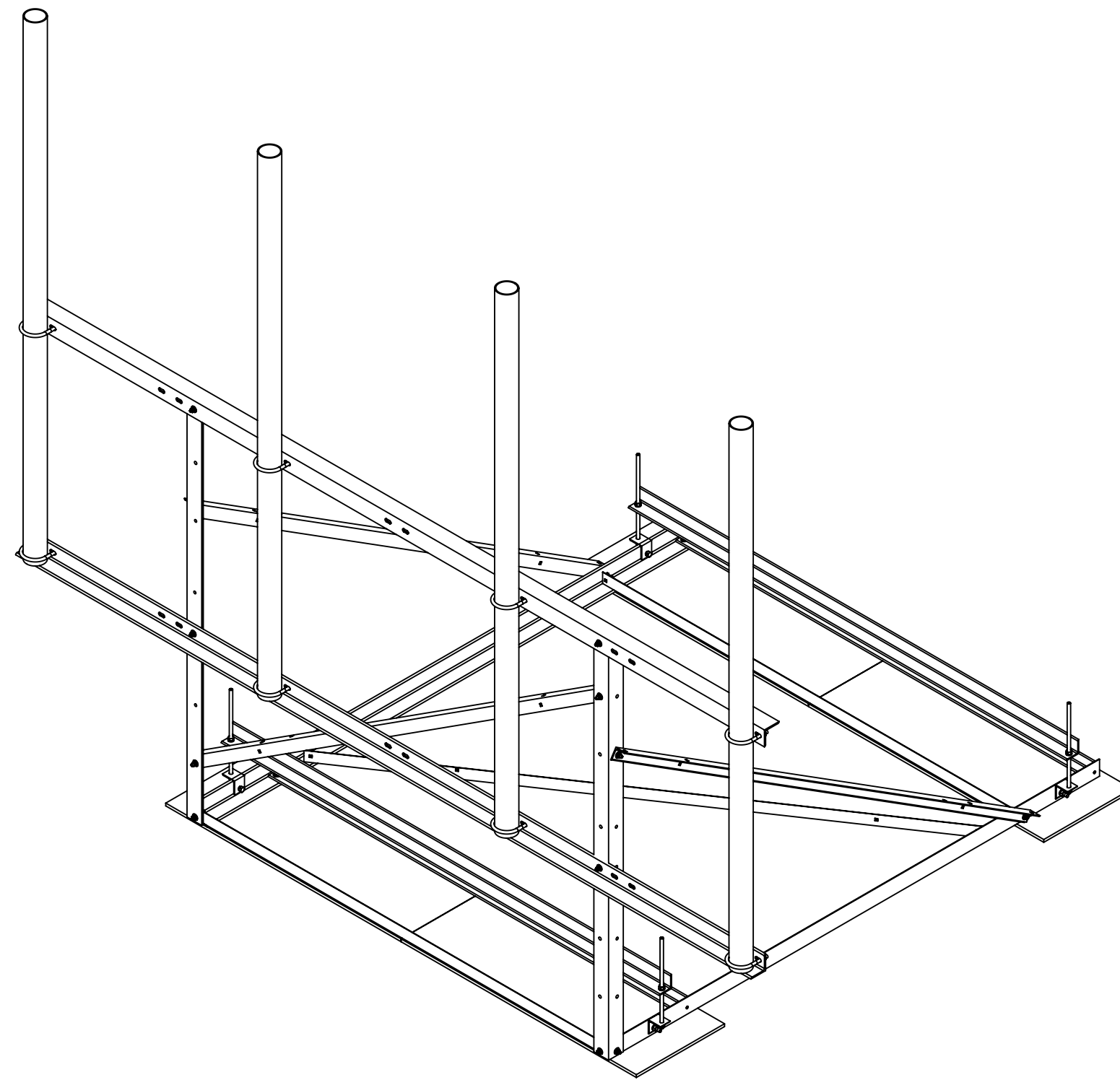
3

2

1

- 1.0 GENERAL NOTES
 - 1.1 ALL METRIC DIMENSIONS ARE IN BRACKETS [X. X]
 - 1.2 FOR PATENT INFO: <https://www.cs-pat.com>
- 2.0 DESIGN NOTES
- 3.0 MANUFACTURING/SPECIAL REQUIREMENTS
 - 3.1 TIGHTEN ALL BOLTS SECURING FLAT PLATES BY THE TURN-OF-NUT METHOD. TIGHTEN ALL U-BOLTS USING TURN-OF-NUT METHOD WITH ATTENTION TO LEAVE EQUAL DISTANCE AND EQUAL FORCE ON EACH LEG OF THE U-BOLT.
 - 3.2 FIELD DRILL AS REQUIRED.
- 4.0 TEST
- 5.0 PACKAGING
 - 5.1 PACKAGING SHALL MEET COMMSCOPE REQUIREMENTS PER DOCUMENT IS-PL-3005
 - 5.2 PRINTED DOCUMENT TO BE PLACED INSIDE POLYBAG AND THEN IN SHIPPING CONTAINER
 - 5.3 EXTRA HARDWARE MAY BE SUPPLIED, BAGGED AND SHIPPED

REVISIONS			
REV.	DESCRIPTION	DATE	APPROVED
B	CREATED INDIVIDUAL DRAWING	JL1183 22JUL24	BA1025 40200652CMO



COMMSCOPE, INC. OF NORTH CAROLINA										
TOLERANCES					SAP MATERIAL MASTER					
1 PLACE .X[X] ± .12[3.0]			3 PLACE .XXX[X] ± .03[0.76]		RF-NL12-4-96					
2 PLACE .XX[X] ± .06[1.5]			ANGLES ± 2°							
FINISH					MATERIAL					
UNLESS OTHERWISE SPECIFIED DIMENSIONS ARE IN INCHES INTERPRET PER ANSI Y 14.5M-1994	NAME		DATE		TITLE					
	CE	JL1183	22JUL24		NON-PEN ROOF FRAME, 12'-6" FACE, 96" PIPE					
	RW	JL1183	07/28/2024							
	AD	YMENG	07/29/2024							
	RE	JL1183	07/29/2024							
ECN 40200652CMO										
SCALE		DOCUMENT NO.								
1:20		RF-NL12-4-96								
SIZE	Auth Group	INSL	MODEL			DRAWING				SHEET
C			VERSION	STATUS	REVISION	VERSION	STATUS	REVISION	1 OF 4	
			01	RE	C	00	RE	B		

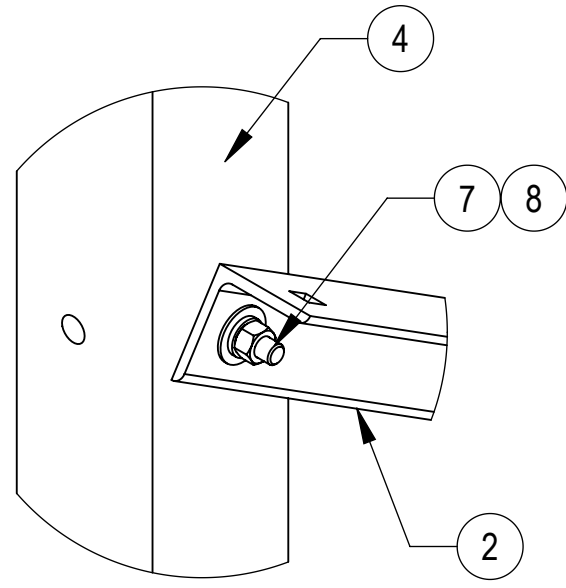
DENSITY		lbs/in³
MASS	775.93	lbs
VOLUME	4253.69	in³
SURFACE AREA	30939.62	in²
HEIGHT	129.0"	
LENGTH	150.0"	
WIDTH	105.5"	

4

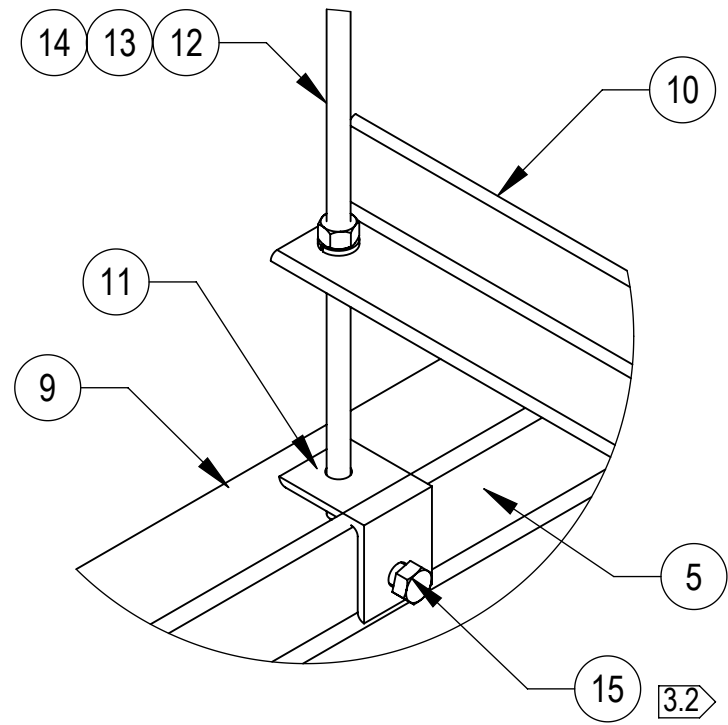
3

2

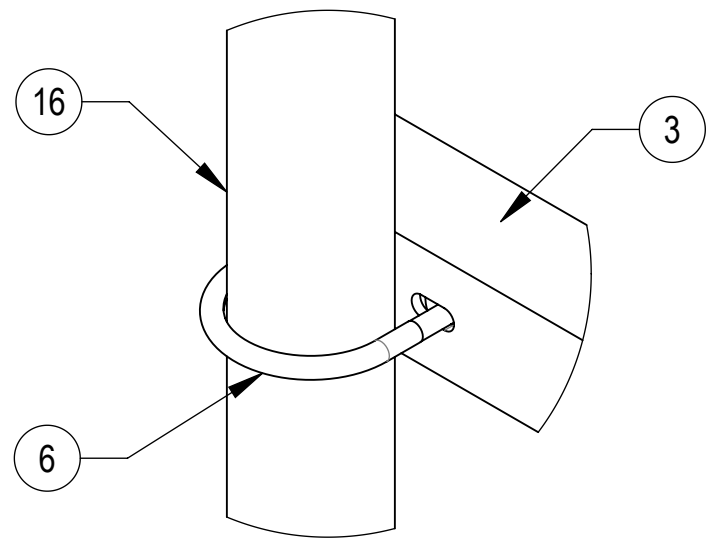
1



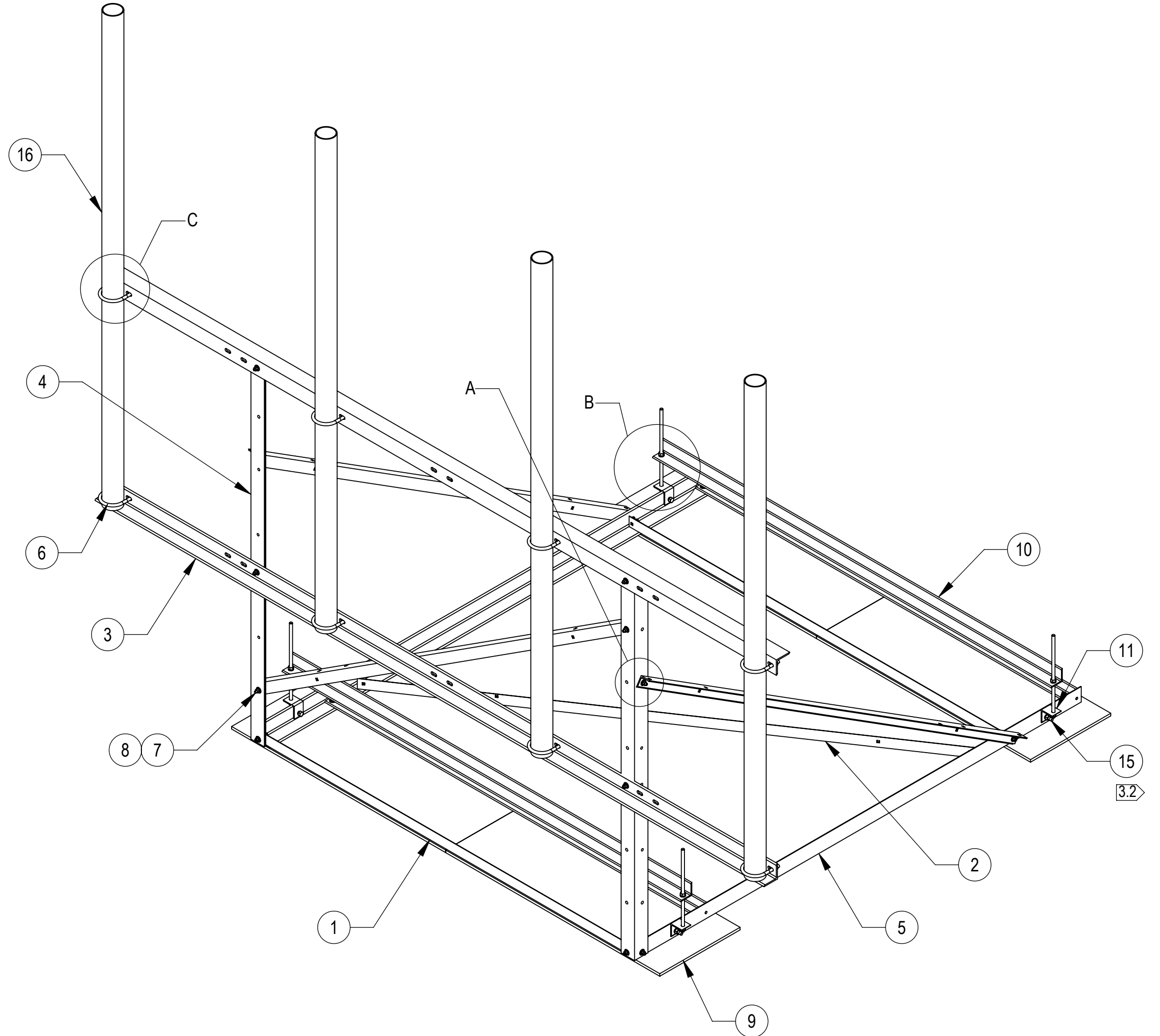
DETAIL A
SCALE 1 : 3



DETAIL B
SCALE 1 : 4



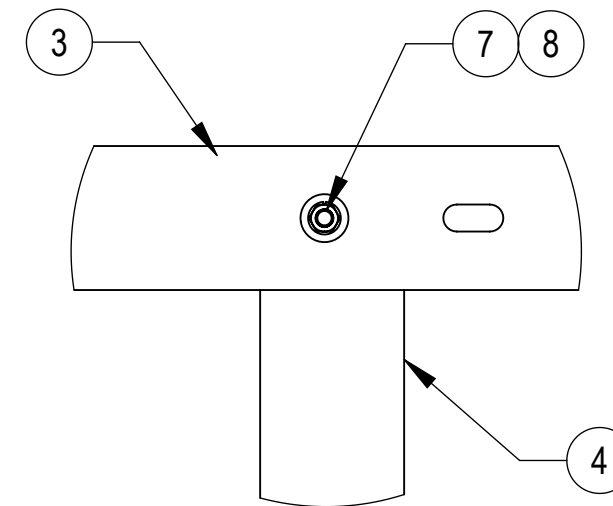
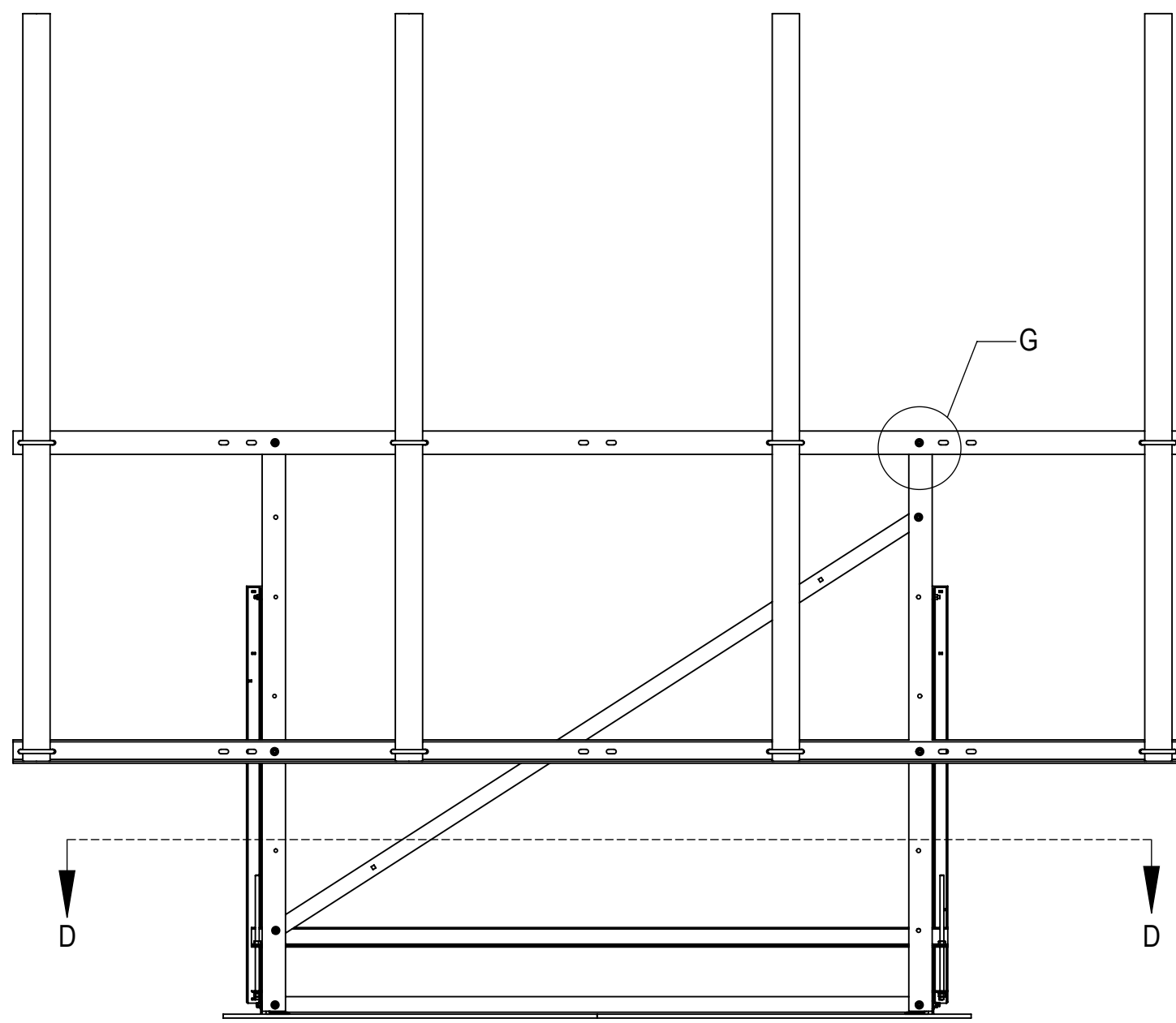
DETAIL C
SCALE 1 : 4



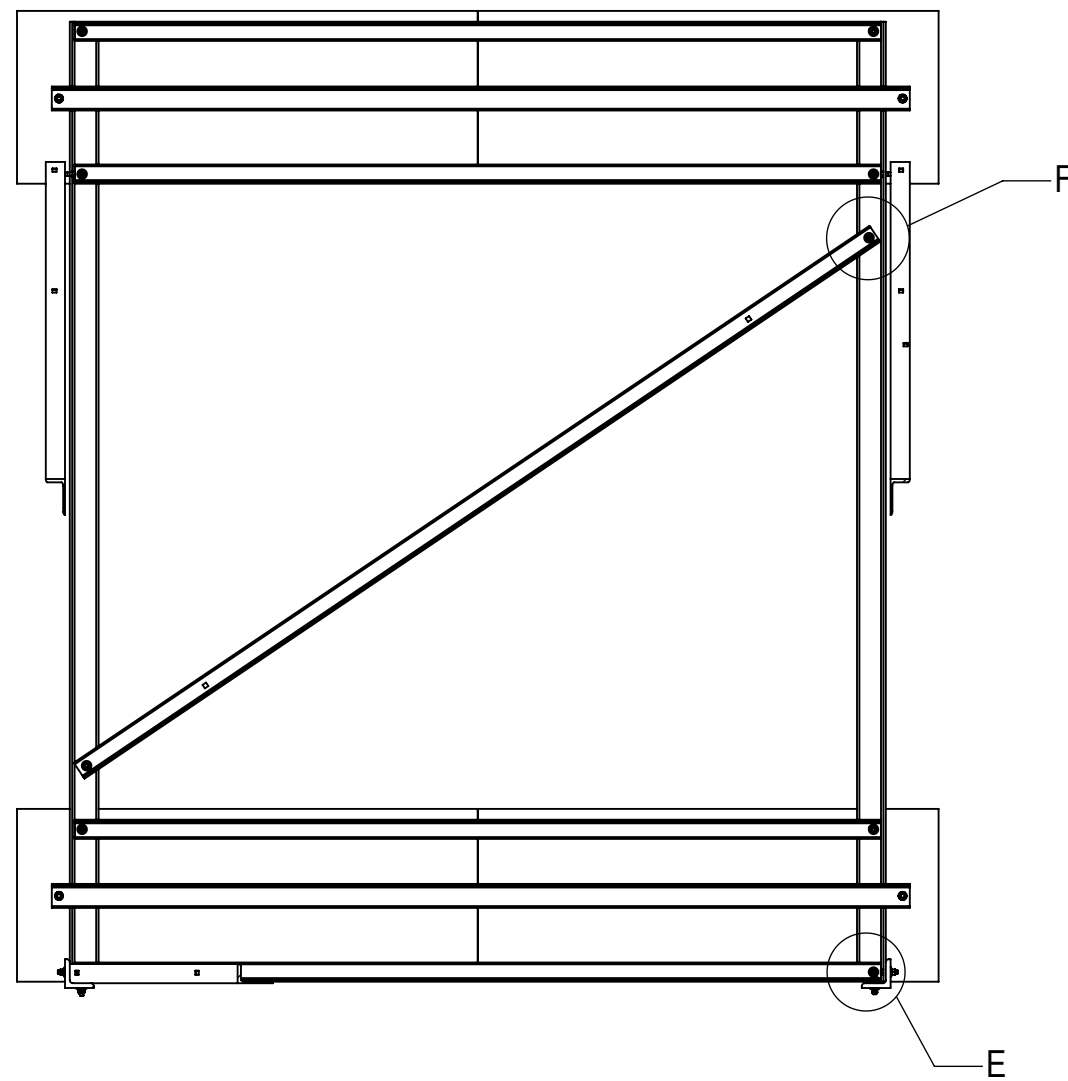
COMPONENT PART NUMBERS PROVIDED FOR ASSEMBLY PURPOSES;
INDIVIDUAL COMPONENTS MAY BE SHIPPED AS PARTS WITHIN AN INCLUDED KIT.

ITEM	PART NO.	DESCRIPTION	QTY.	WEIGHT	NOTE NO.
1	RFNB02	NON-PEN. ROOF MOUNT BASE ANGLE 2	4	16.70 LBS	
2	RFNB03	NON-PEN. ROOF MOUNT BASE ANGLE 3	4	19.84 LBS	
3	MTC9978HD1212	NON-PEN. ROOF MOUNT 12' FACE ANGLE	2	59.55 LBS	
4	RFNL01	NON-PEN. ROOF MOUNT VERTICAL ANGLE	2	56.34 LBS	
5	MTC997807	NON-PEN. ROOF MOUNT BASE ANGLE 7	2	40.03 LBS	
6	GUB-4355	1/2" X 3-5/8" X 5" GALV U-BOLT	8	0.71 LBS	
7	GB-03145	3/8" X 1-1/2" GALV BOLT KIT	24	0.07 LBS	
8	GWF-03	3/8" GALV FLAT WASHER	24	0.01 LBS	
9	MT-F1637	RUBBER MAT .5" X 18" X 48"	4	15.61 LBS	
10	MTC704901	ANTI- THEFT BAR	2	22.51 LBS	
11	MTC8326.01	CLIP ANGLE	4	0.48 LBS	
12	MT37916	1/2" X 16" GALV THREADED ROD	4	0.88 LBS	
13	GWL-04	1/2" GALV LOCK WASHER	8	0.01 LBS	
14	GN-04	1/2" GALV HEX NUT	8	0.04 LBS	
15	GB-0416A	1/2" X 1-3/4" GALV BOLT KIT (A325)	4	0.14 LBS	
16	MT54796	3.5" O.D. X 96" PIPE	4	48.54 LBS	

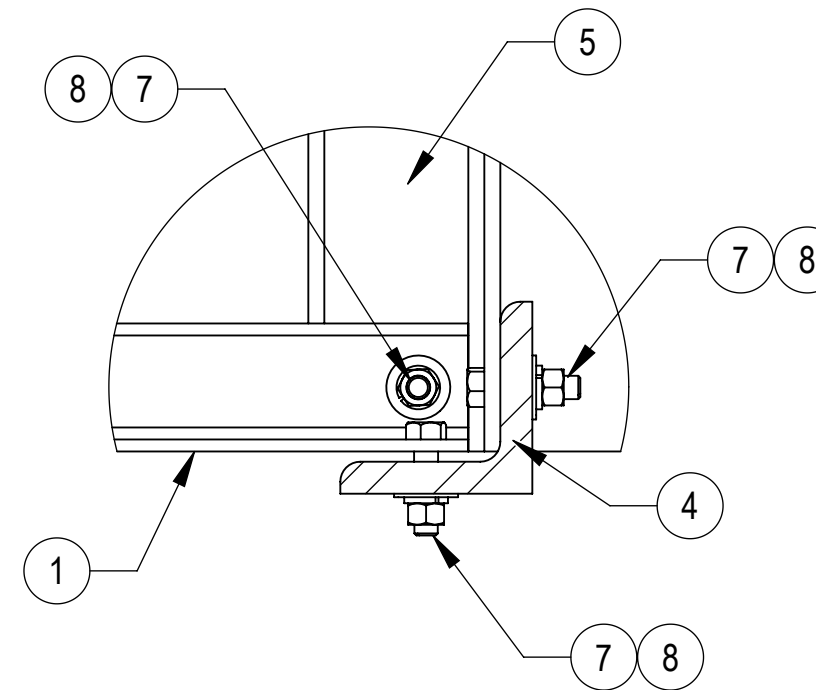
COMMSCOPE, INC. OF NORTH CAROLINA				
TITLE NON-PEN ROOF FRAME, 12'-6" FACE, 96" PIPE				
SIZE C	SCALE 1:20	DOCUMENT NO. RF-NL12-4-96		
DRAWING		VERSION	STATUS	REVISION
		00	RE	B
				SHEET 2 OF 4



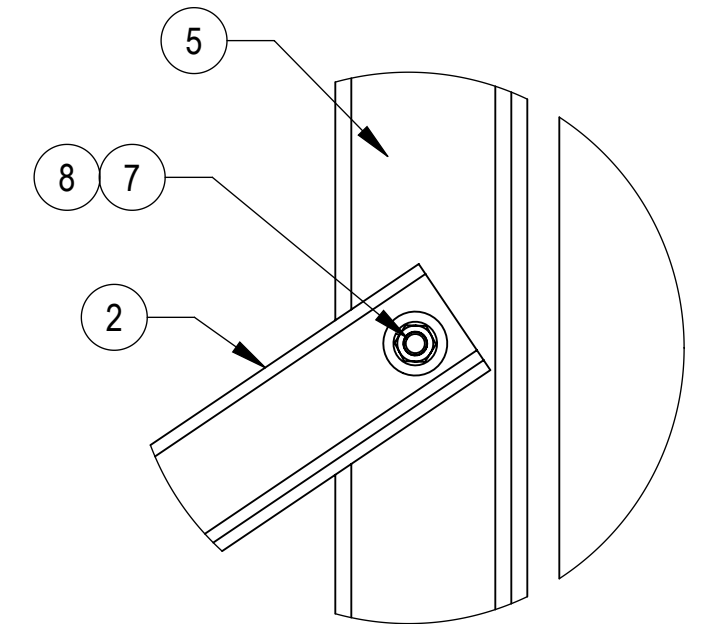
DETAIL G
SCALE 1 : 4




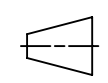
SECTION D-D
SCALE 1 : 20

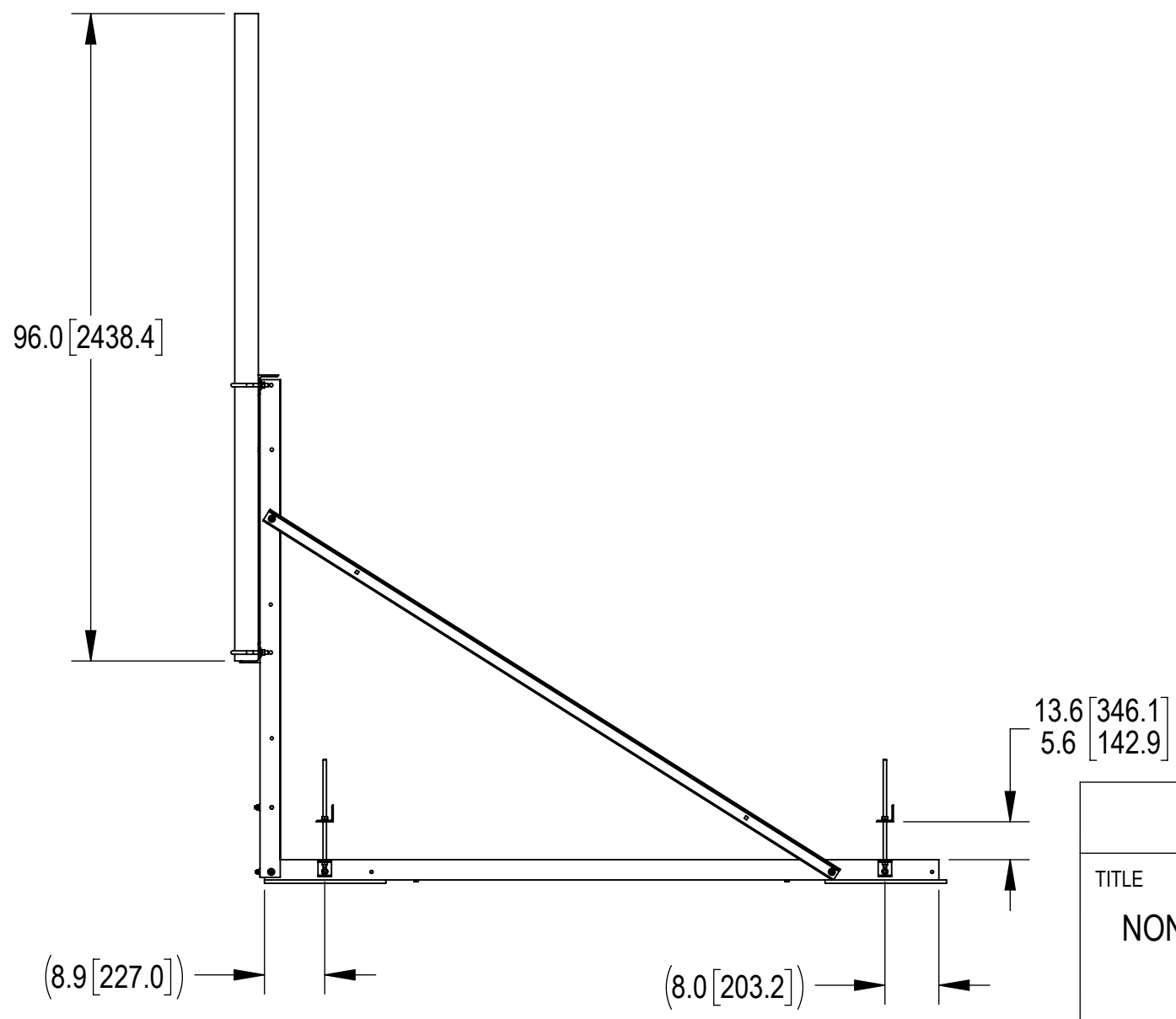
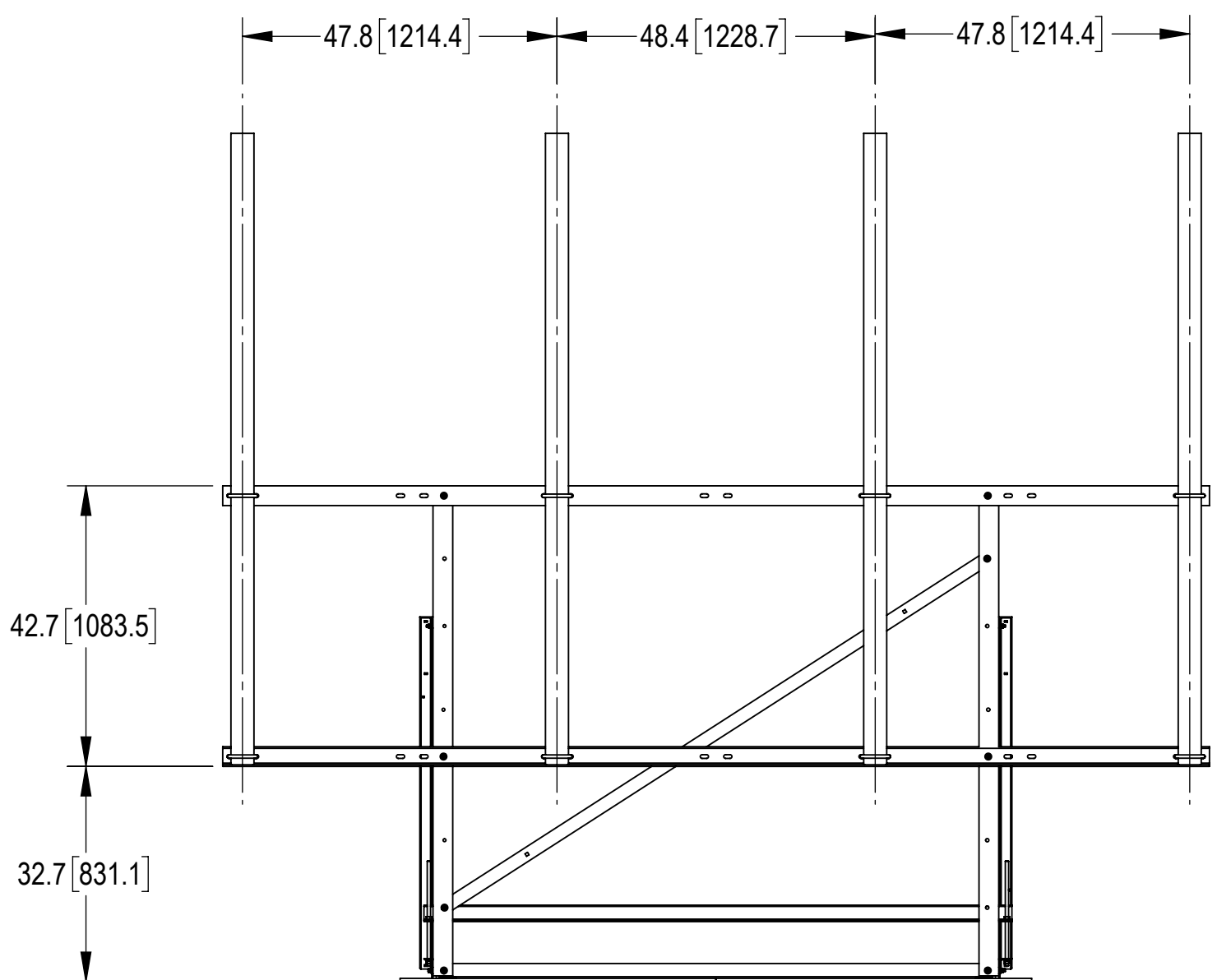
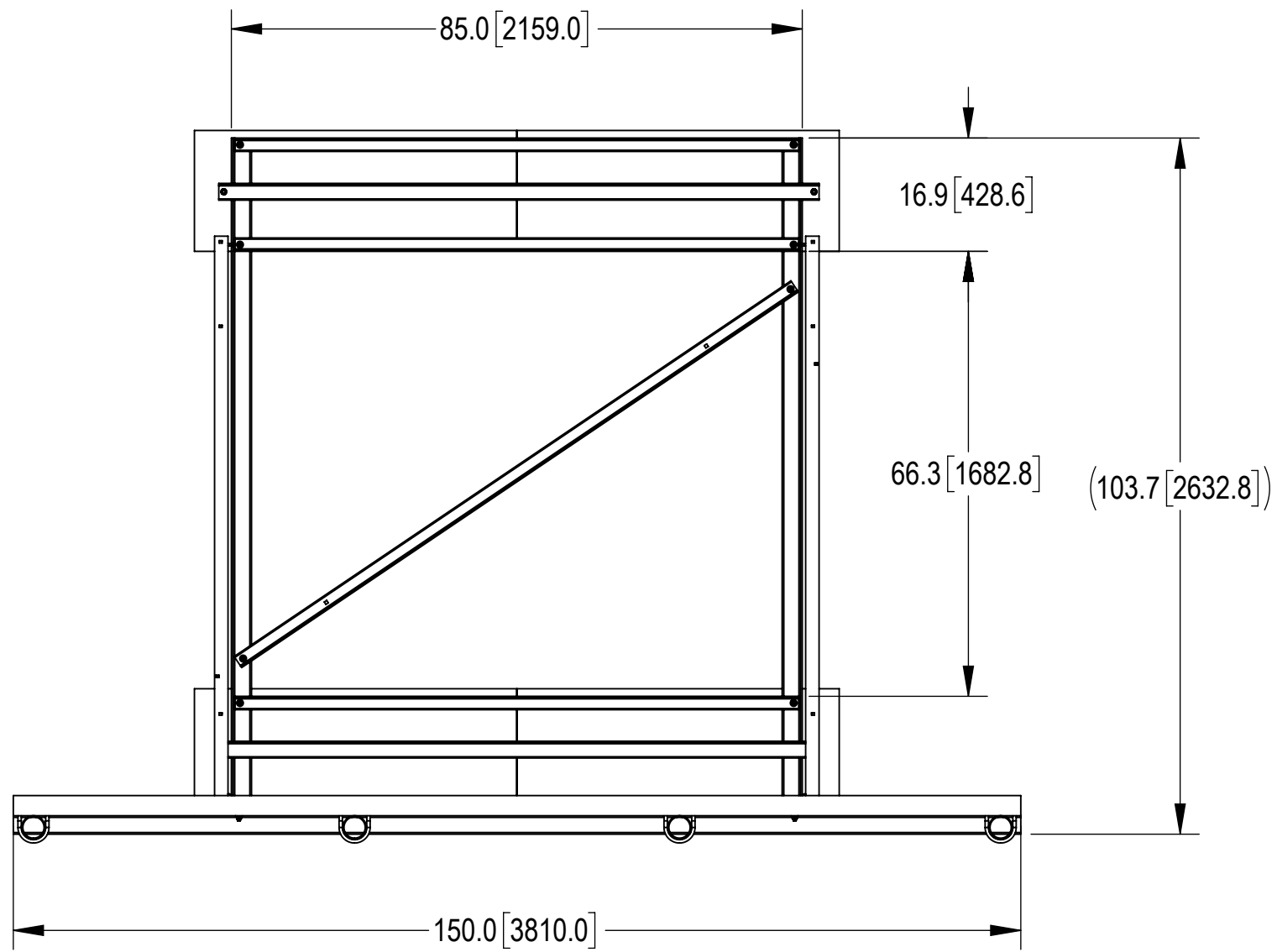


DETAIL E
SCALE 1 : 3



DETAIL F
SCALE 1 : 3

COMMSCOPE, INC. OF NORTH CAROLINA				
TITLE NON-PEN ROOF FRAME, 12'-6" FACE, 96" PIPE				
SIZE C	SCALE 1:20	DOCUMENT NO. RF-NL12-4-96		
 		DRAWING		SHEET
		VERSION 00	STATUS RE	REVISION B



COMMSCOPE, INC. OF NORTH CAROLINA				
TITLE NON-PEN ROOF FRAME, 12'-6" FACE, 96" PIPE				
SIZE C	SCALE 1:20	DOCUMENT NO. RF-NL12-4-96		
		DRAWING		SHEET
		VERSION	STATUS	REVISION
		00	RE	B
				4 OF 4

© 2024 CommScope, Inc. Confidential

4

3

2

1

D

D

C

C

B

B

A

A

4

3

2

1