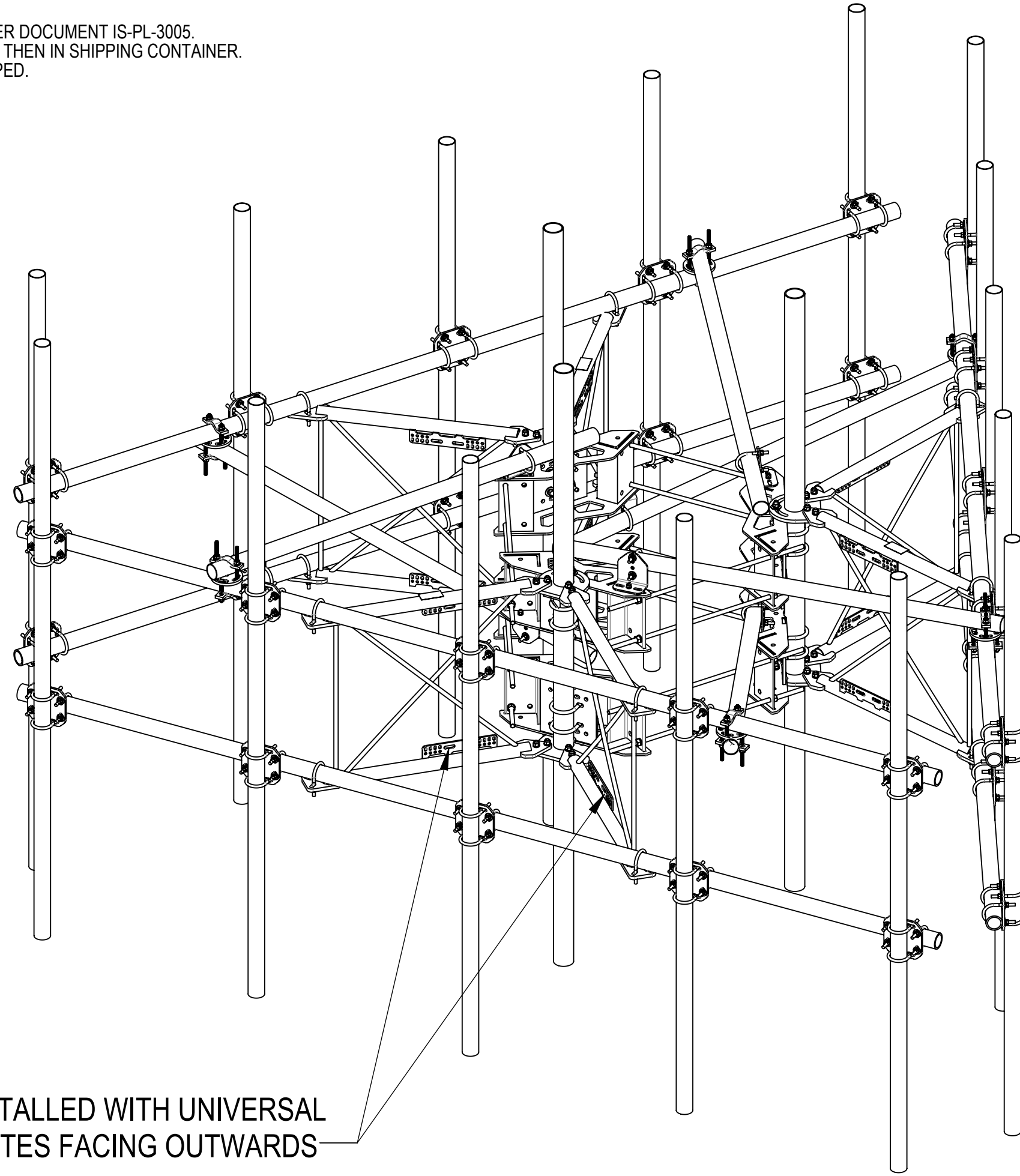


- 1.0 GENERAL NOTES
 - 1.1 ALL METRIC DIMENSIONS ARE IN BRACKETS [X. X]
 - 1.2 FOR PATENT INFO: <https://www.cs-pat.com>
- 2.0 DESIGN NOTES
 - 2.1 ANY HAZARDS OR OBSTRUCTIONS TO THE CLIMBING FACILITY AND SAFETY CLIMB MUST BE IDENTIFIED PRIOR TO INSTALLING THE APPURTENANCE. ADDITIONAL PRODUCTS MAY BE REQUIRED TO MAINTAIN THE INTEGRITY OF THE SAFETY CLIMB. DURING INSTALLATION, TEMPORARY AND/OR PERMANENT PRECAUTIONARY MEASURES SHOULD BE TAKEN TO PRESERVE THE CLIMBING FACILITY AND/OR SAFETY CLIMB.
 - 2.2 FITS MONOPOLES 38" TO 50" OD. MONOPOLE DIAMETER MUST BE GREATER THAN OR EQUAL TO 38" TO MEET ANTENNA TO ANTENNA CORNER SPACING OF >24".
- 3.0 MANUFACTURING/SPECIAL REQUIREMENTS
 - 3.1 TIGHTEN ALL BOLTS SECURING FLAT PLATES BY THE TURN-OF-NUT METHOD. TIGHTEN ALL U-BOLTS USING TURN-OF-NUT METHOD WITH ATTENTION TO LEAVE EQUAL DISTANCE AND EQUAL FORCE ON EACH LEG OF THE U-BOLT.
- 4.0 TEST
- 5.0 PACKAGING
 - 5.1 PACKAGING SHALL MEET COMMSCOPE REQUIREMENTS PER DOCUMENT IS-PL-3005.
 - 5.2 PRINTED DOCUMENT TO BE PLACED INSIDE POLYBAG AND THEN IN SHIPPING CONTAINER.
 - 5.3 EXTRA HARDWARE MAY BE SUPPLIED, BAGGED AND SHIPPED.

REVISIONS			
REV.	DESCRIPTION	DATE	APPROVED
A	INITIAL RELEASE	JL1183 16APR24	CB1094 40193542CMO
B	V-ARM SFG2292-00 (ITEM 3) WAS SFG2278; SHEET5: ADDED V-ARM DETAIL VIEW	JL1183 12JUL24	CB1094 40200155CMO



SHOULD BE INSTALLED WITH UNIVERSAL INTERFACE PLATES FACING OUTWARDS

DENSITY		lbs/in ³
MASS	2777.42	lbs
VOLUME	11566.23	in ³
SURFACE AREA	103798.74	in ²
HEIGHT	120"	
LENGTH	180"	
WIDTH	84"	

COMMSCOPE, INC. OF NORTH CAROLINA

TOLERANCES		SAP MATERIAL MASTER																																									
0 PLACE X[X] ± 0.25[6.3]	2 PLACE .XX[X] ± 0.06[1.5]	MCG22RHDX-15M15120																																									
1 PLACE .X[X] ± 0.12[3.0]	ANGLES ± 2°																																										
FINISH		MATERIAL																																									
		PG,MP,SF,15'FP,(15)120"AP																																									
UNLESS OTHERWISE SPECIFIED DIMENSIONS ARE IN INCHES INTERPRET PER ANSI Y 14.5M-1994		SCALE DOCUMENT NO. 1:20 MCG22RHDX-15M15120																																									
<table border="1" style="width: 100%;"> <tr> <th>REV.</th> <th>NAME</th> <th>DATE</th> <th>TITLE</th> </tr> <tr> <td>CE</td> <td>JL1183</td> <td>18FEB24</td> <td rowspan="4" style="text-align: center;">MCG22RHDX-15M15120</td> </tr> <tr> <td>RW</td> <td>JL1183</td> <td>07/15/2024</td> </tr> <tr> <td>AD</td> <td>CB1094</td> <td>07/18/2024</td> </tr> <tr> <td>RE</td> <td>YMENG</td> <td>08/05/2024</td> </tr> </table>		REV.	NAME	DATE	TITLE	CE	JL1183	18FEB24	MCG22RHDX-15M15120	RW	JL1183	07/15/2024	AD	CB1094	07/18/2024	RE	YMENG	08/05/2024	<table border="1" style="width: 100%;"> <tr> <th>SIZE</th> <th>Auth Group</th> <th>INSL</th> <th>MODEL</th> <th colspan="3">DRAWING</th> <th>SHEET</th> </tr> <tr> <td rowspan="2" style="text-align: center;">C</td> <td rowspan="2" style="text-align: center;">⊕</td> <td rowspan="2" style="text-align: center;">◁</td> <td>VERSION</td> <td>STATUS</td> <td>REVISION</td> <td>VERSION</td> <td>STATUS</td> <td>REVISION</td> </tr> <tr> <td>01</td> <td>RE</td> <td>B</td> <td>01</td> <td>RE</td> <td>B</td> </tr> </table>		SIZE	Auth Group	INSL	MODEL	DRAWING			SHEET	C	⊕	◁	VERSION	STATUS	REVISION	VERSION	STATUS	REVISION	01	RE	B	01	RE	B
REV.	NAME	DATE	TITLE																																								
CE	JL1183	18FEB24	MCG22RHDX-15M15120																																								
RW	JL1183	07/15/2024																																									
AD	CB1094	07/18/2024																																									
RE	YMENG	08/05/2024																																									
SIZE	Auth Group	INSL	MODEL	DRAWING			SHEET																																				
C	⊕	◁	VERSION	STATUS	REVISION	VERSION	STATUS	REVISION																																			
			01	RE	B	01	RE	B																																			

A

A

A

A

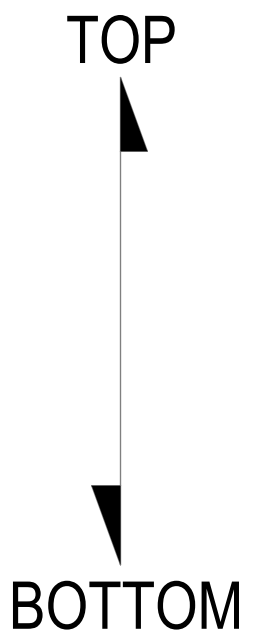
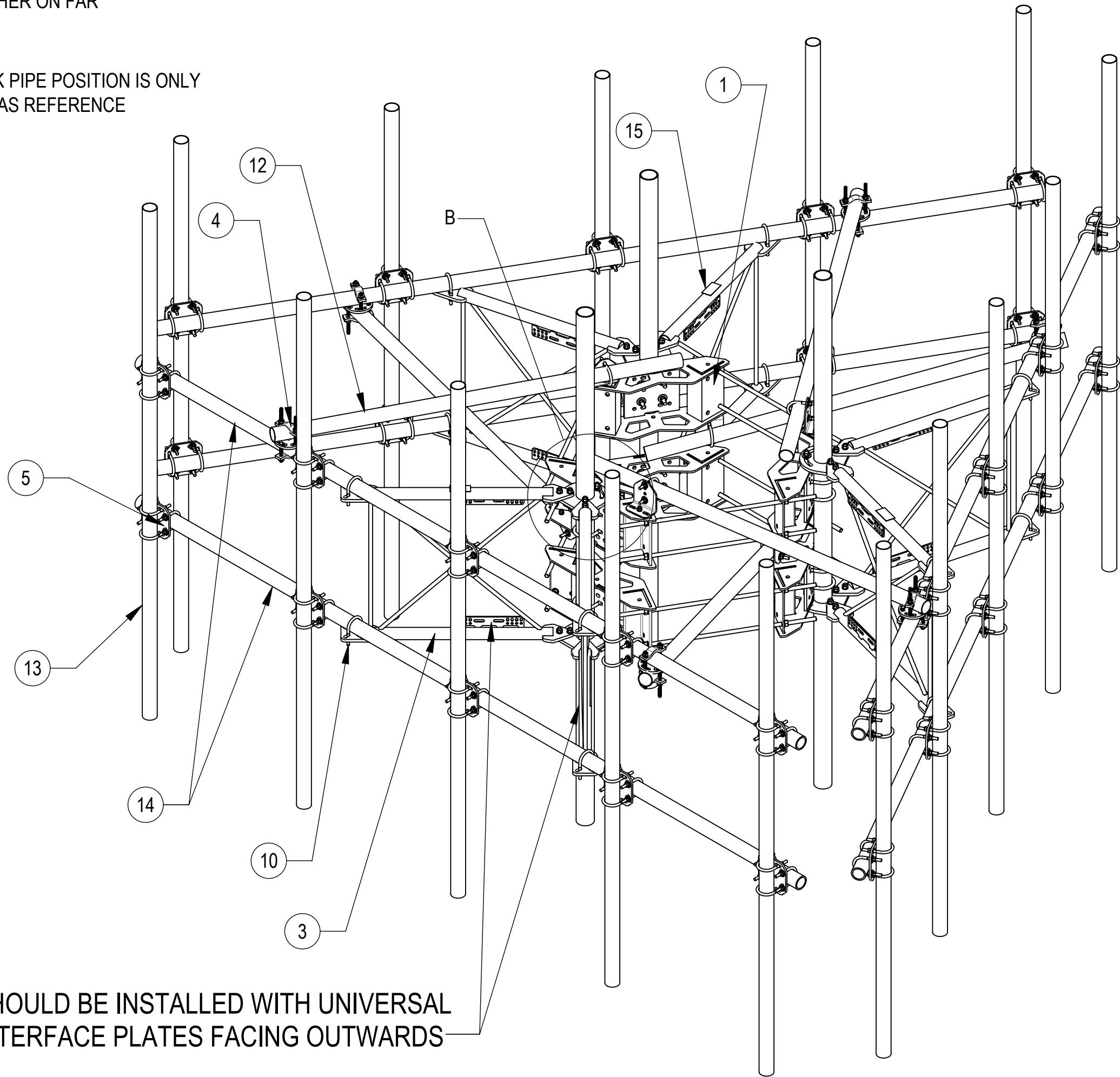
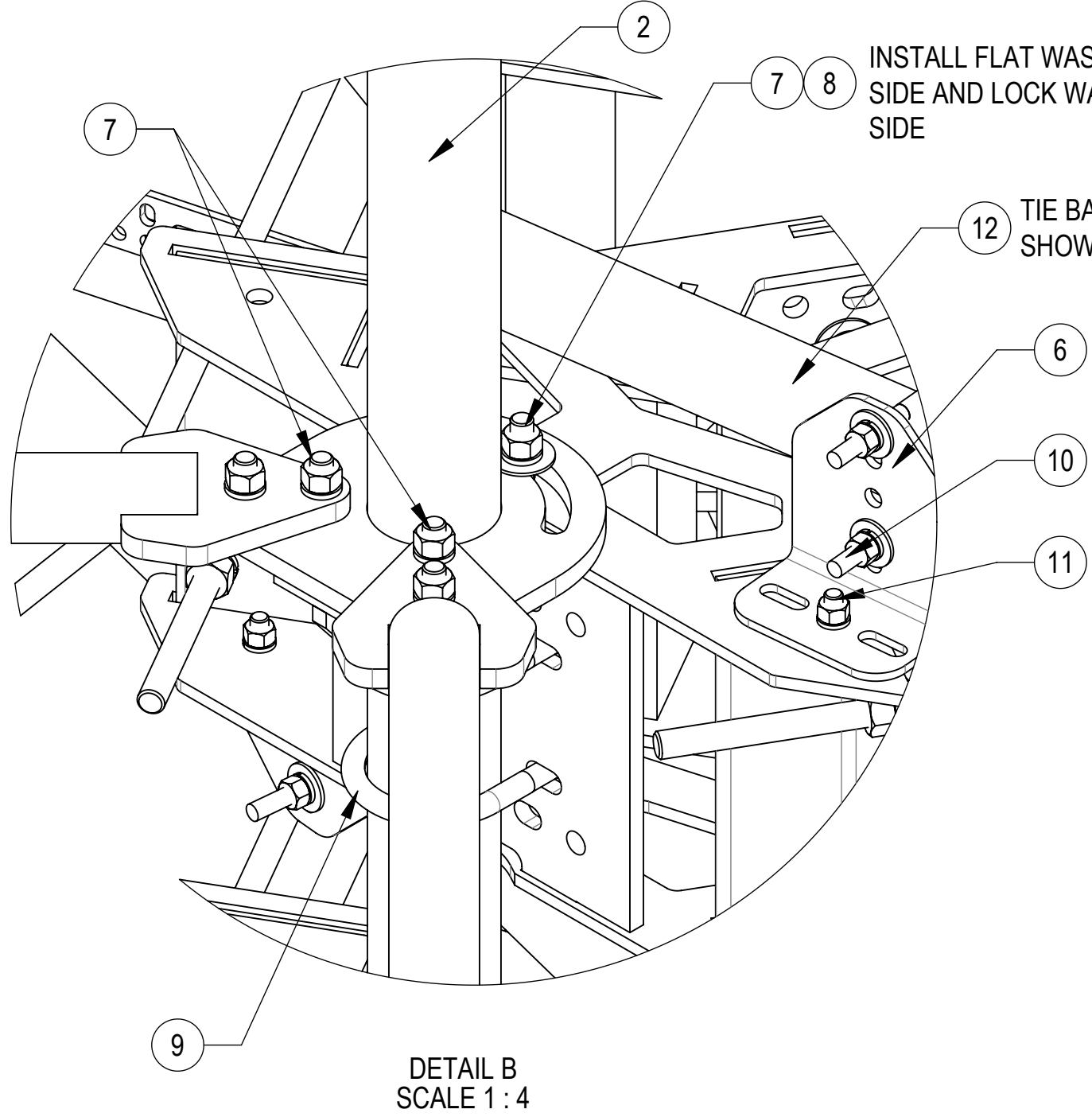
4 3 2 1

D

C

B

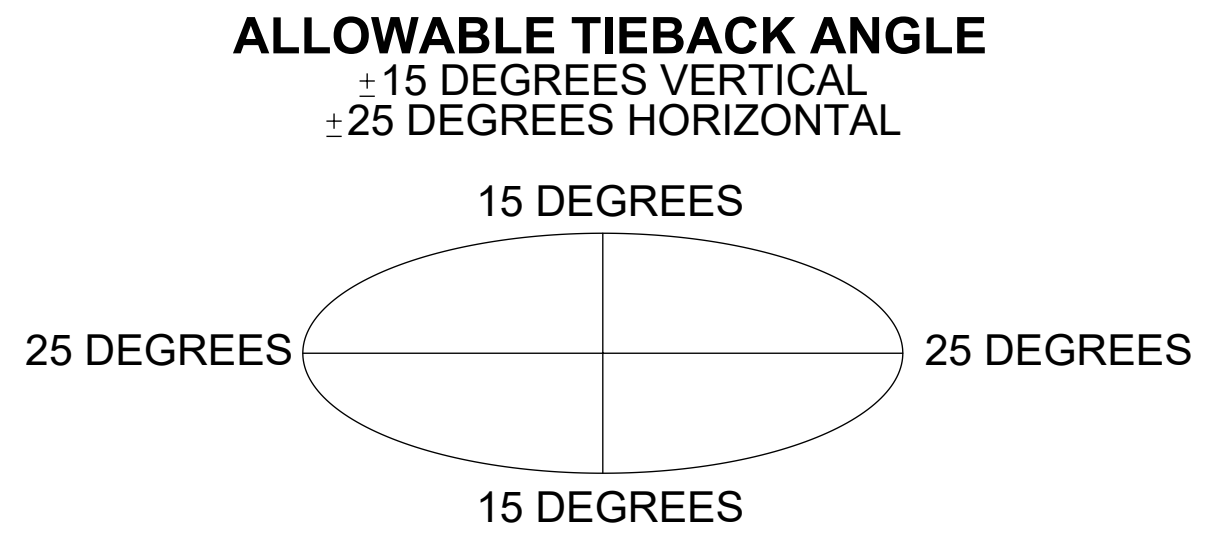
A



COMPONENT PART NUMBERS PROVIDED FOR ASSEMBLY PURPOSES;
INDIVIDUAL COMPONENTS MAY BE SHIPPED AS PARTS WITHIN AN INCLUDED KIT.

ITEM	PART NO.	DESCRIPTION	QTY.	WEIGHT	NOTE NO.
1	MC-RM1550-3	15" - 50" OD RINGMOUNT	2	229.90 LBS	
2	SFG2204	WELDMENT, BACK VERTICAL ARM MOUNT	3	36.96 LBS	
3	SFG2292-00	WELDMENT, V-ARM, SECTOR FRAME 22	6	49.69 LBS	
4	XP-R	CROSSOVER PLATE, ROUND, UP TO 3.5" OD	6	6.20 LBS	
5	XP-2525	CROSSOVER PLATE KIT, 2-7/8 OD X 2-7/8 OD	30	8.37 LBS	
6	XAU01	ANGLE, CROSSOVER, 1.9-3.5" X 1.9-3.5" OD	6	2.98 LBS	
7	GB-05225	5/8" X 2-1/4" GALV BOLT KIT	30	0.28 LBS	
8	GWF-05	5/8" GALV FLAT WASHER, 1.7OD	6	0.06 LBS	
9	GUB-53560	5/8" X 3-5/8" X 6" GALV U-BOLT	12	1.30 LBS	
10	GUB-4352	1/2" X 3" X 5-1/4" GALV U-BOLT	18	0.71 LBS	
11	GB-04145	1/2" X 1-1/2" GALV BOLT KIT	6	0.13 LBS	
12	MT546084120	2.88" OD X 84" LONG PIPE	6	24.81 LBS	
13	MT546120120	PIPE, 2.875"OD X 120"	15	35.44 LBS	
14	MT546180276	PIPE, 2.875"OD X 180"	6	115.33 LBS	
15	SFG2295	LABEL, SFG22RHDX	3	0.04 LBS	

B



© 2024 CommScope, Inc. Confidential

COMMSCOPE, INC. OF NORTH CAROLINA				
TITLE PG,MP,SF,15'FP,(15)120"AP				
SIZE C	SCALE 1:20	DOCUMENT NO. MCG22RHDX-15M15120		
DRAWING		REVISION		SHEET
VERSION 01	STATUS RE	REVISION B	2 OF 5	

4

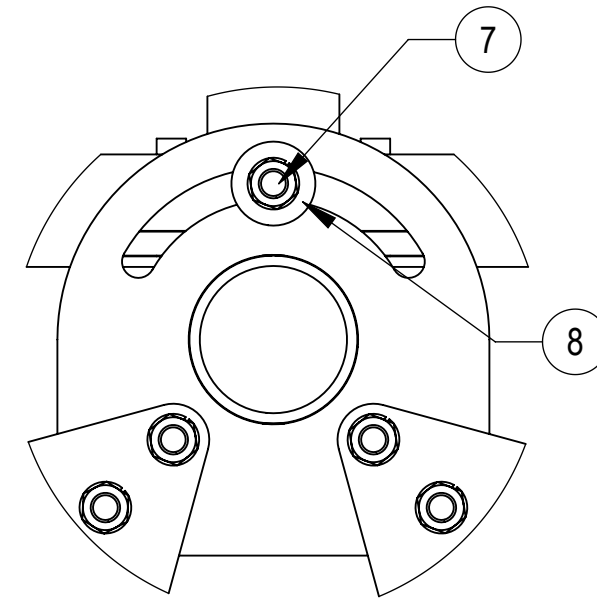
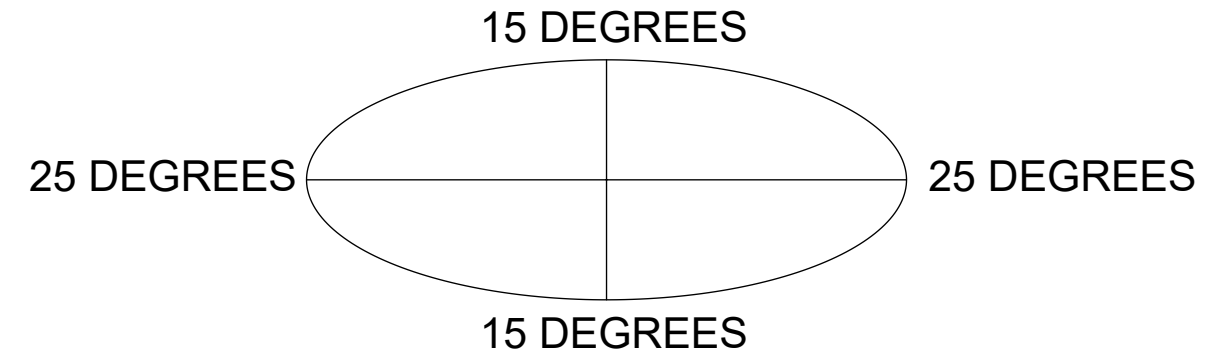
3

2

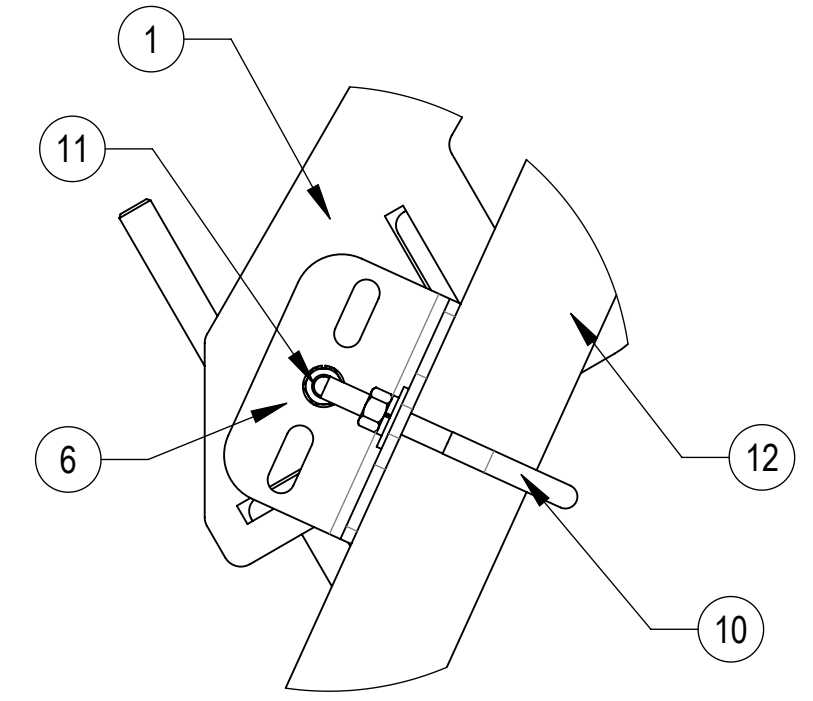
1

ALLOWABLE TIEBACK ANGLE

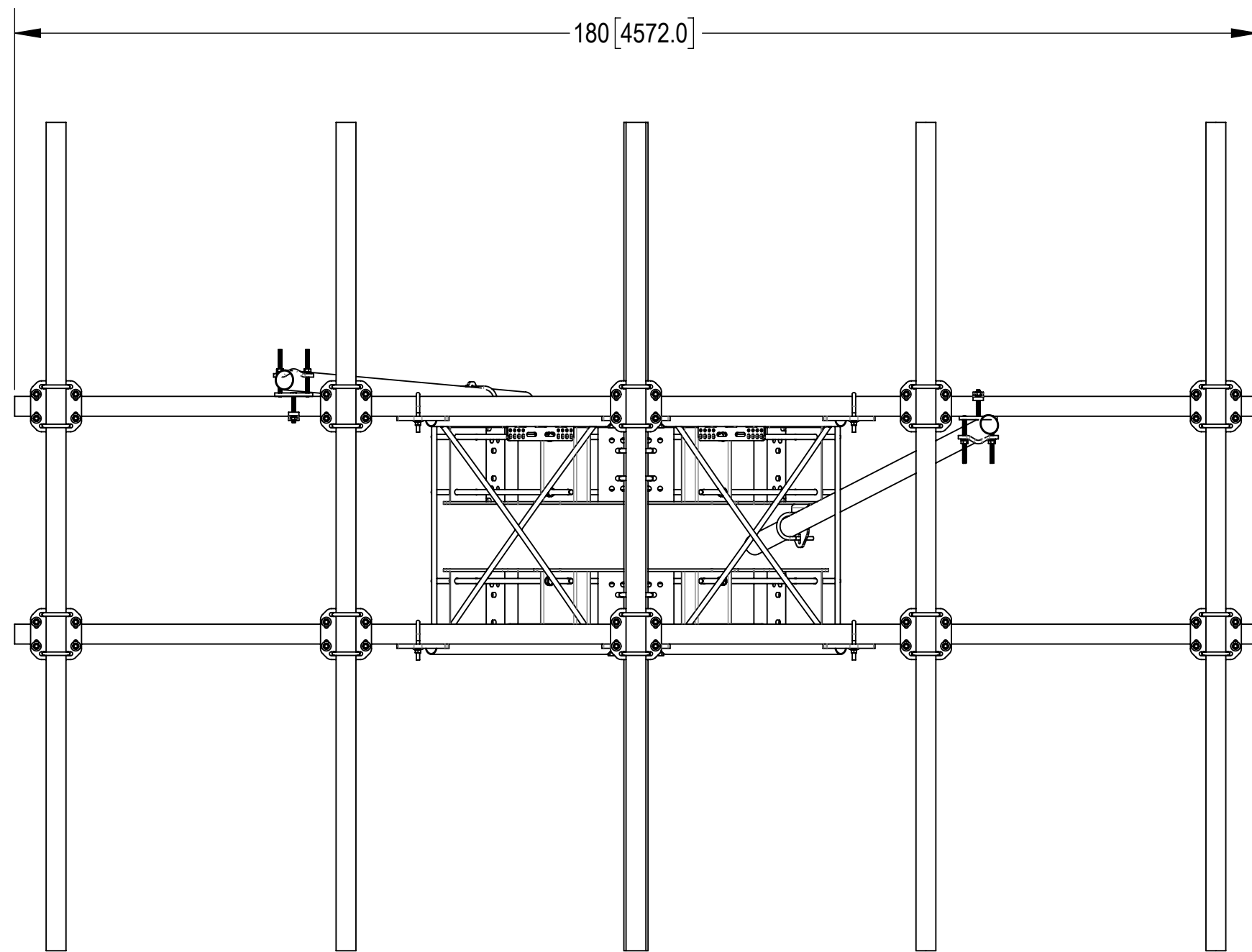
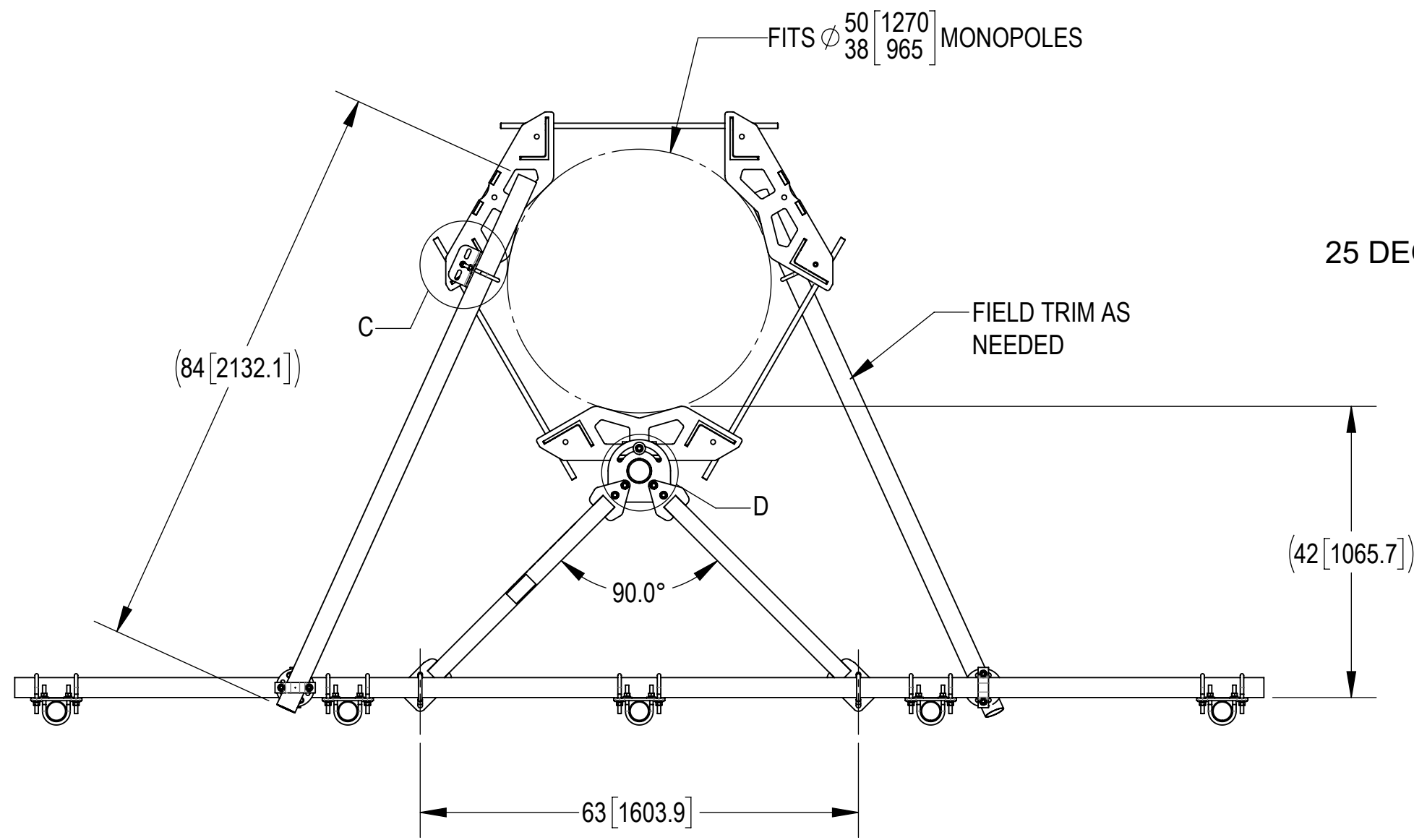
±15 DEGREES VERTICAL
±25 DEGREES HORIZONTAL



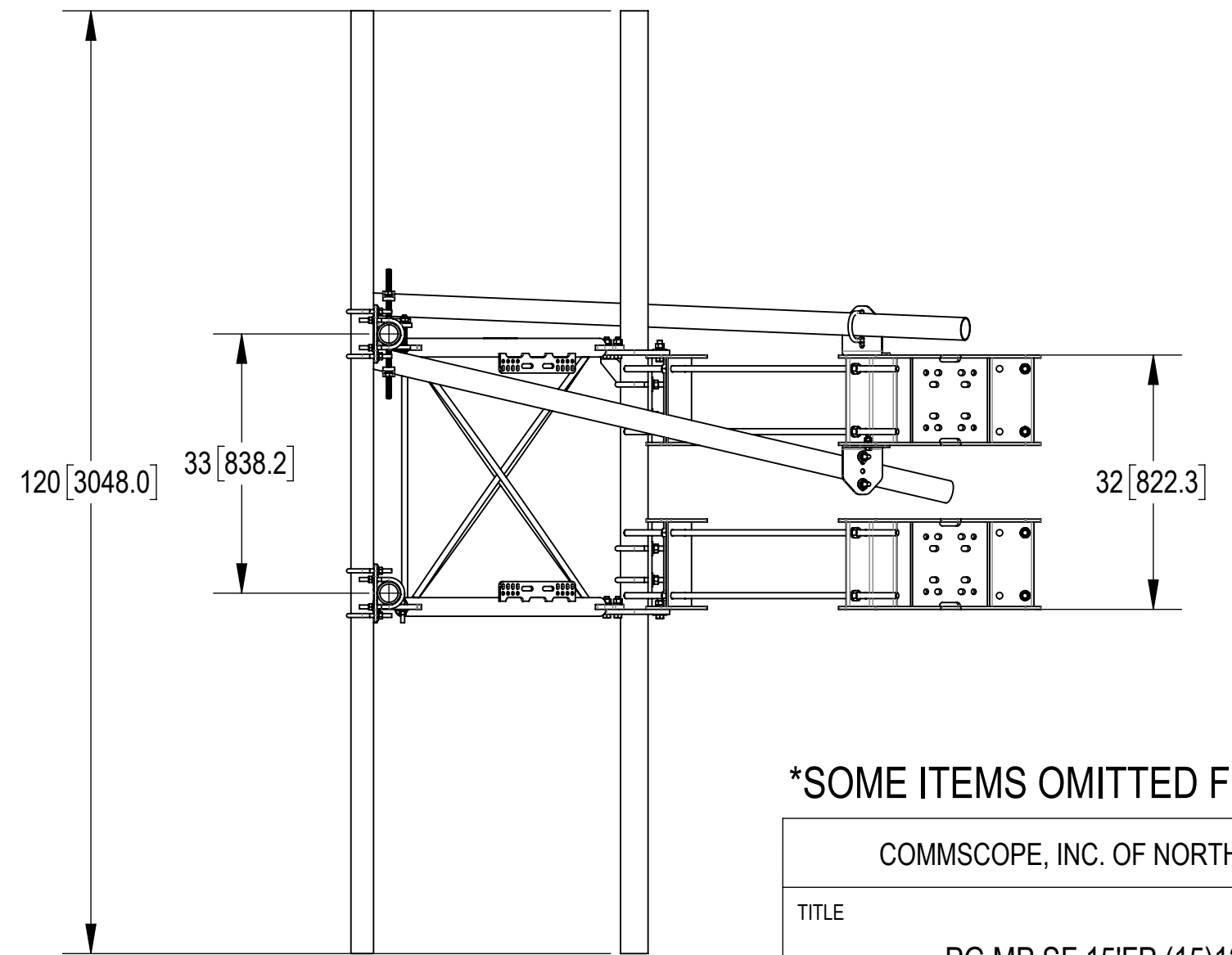
DETAIL D
SCALE 1:4



DETAIL C
SCALE 1:4



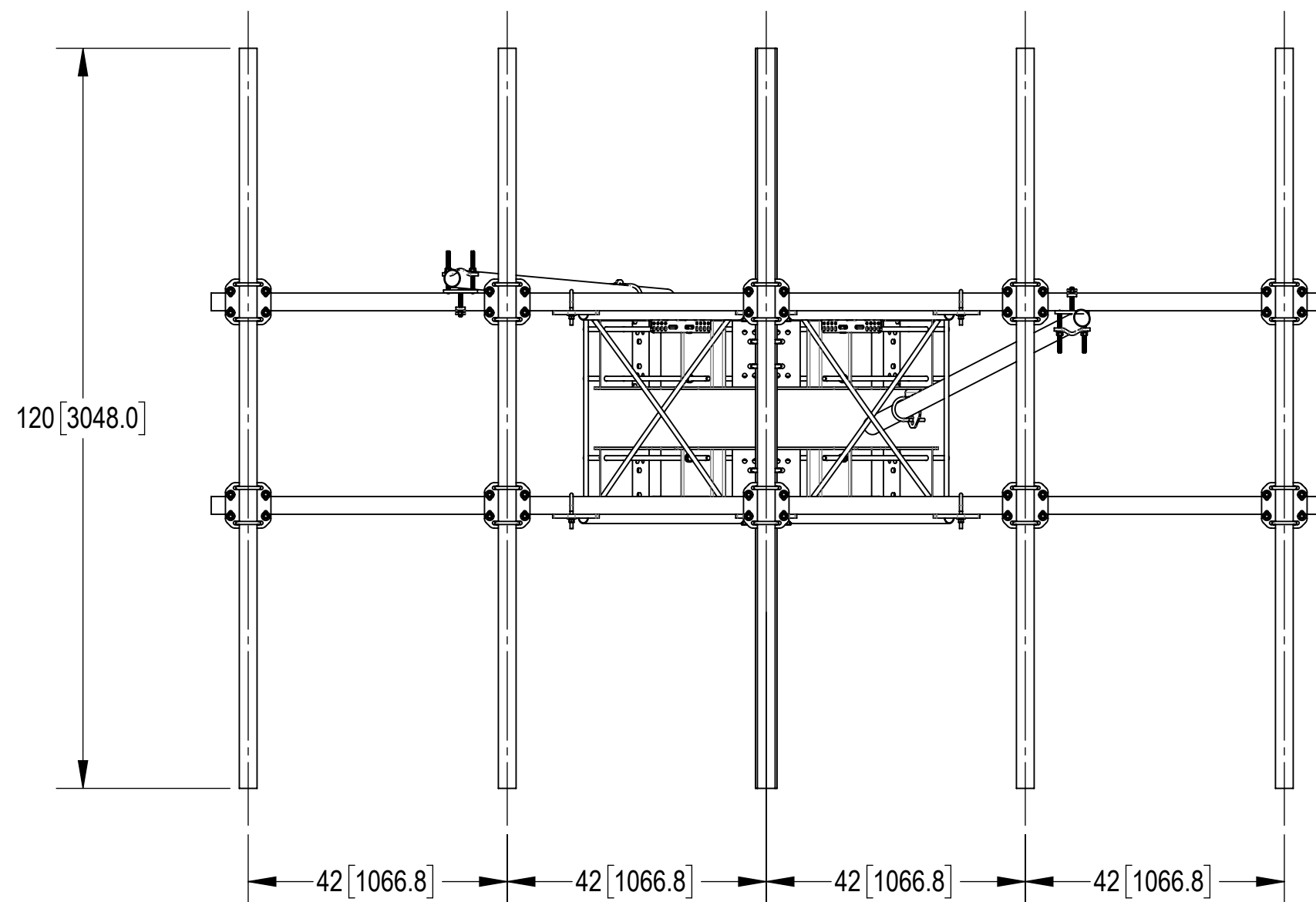
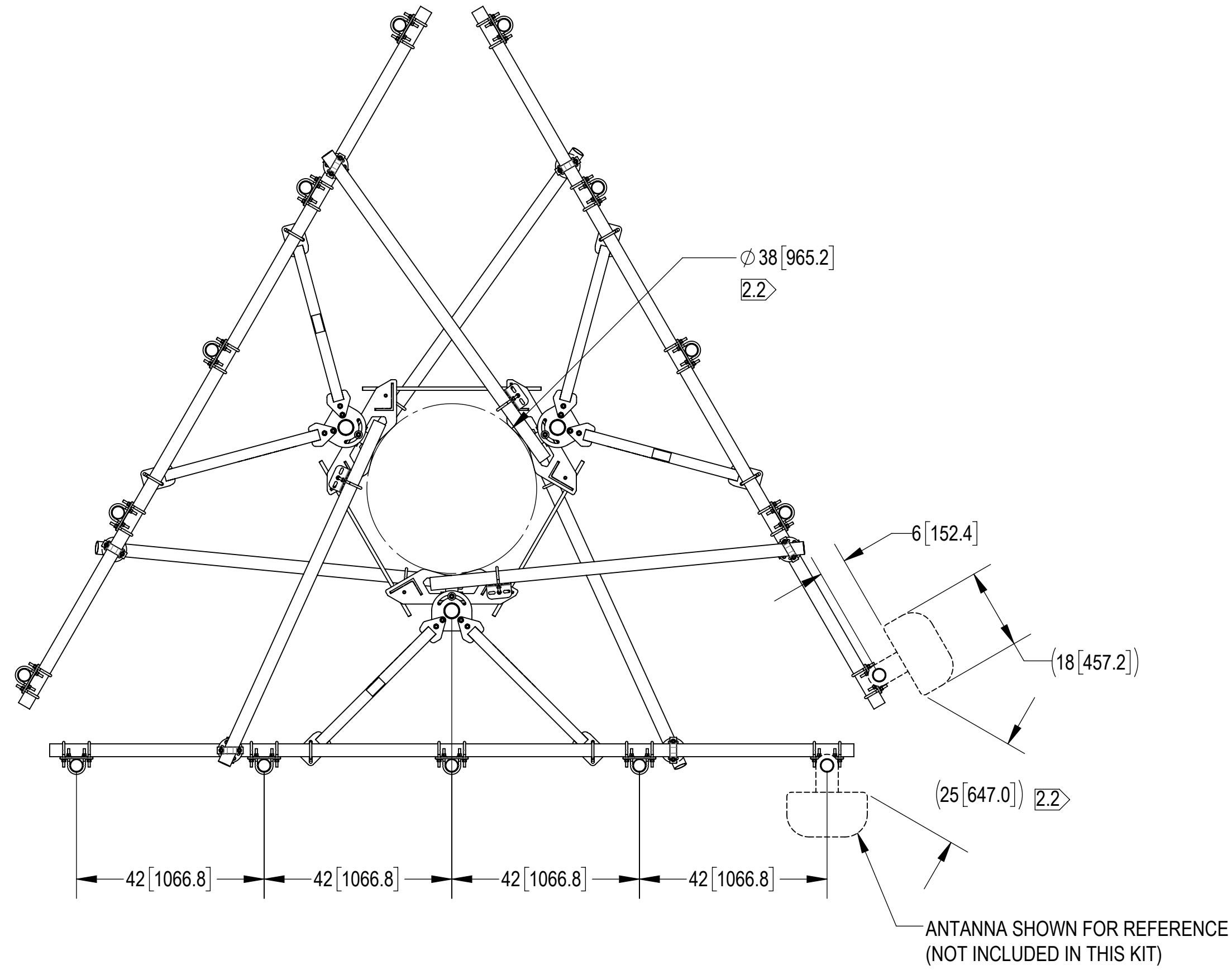
TOP
BOTTOM



SOME ITEMS OMITTED FOR CLARITY

COMMSCOPE, INC. OF NORTH CAROLINA				
TITLE PG,MP,SF,15'FP,(15)120"AP				
SIZE C	SCALE 1:20	DOCUMENT NO. MCG22RHDX-15M15120		
DRAWING		VERSION	STATUS	REVISION
		01	RE	B
				SHEET 3 OF 5

ANTENNA SPACING SHOWN



SOME ITEMS OMITTED FOR CLARITY

COMMSCOPE, INC. OF NORTH CAROLINA				
TITLE PG,MP,SF,15'FP,(15)120"AP				
SIZE C	SCALE 1:24	DOCUMENT NO. MCG22RHDX-15M15120		
		DRAWING		SHEET
		VERSION	STATUS	REVISION
		01	RE	B
				4 OF 5

4

3

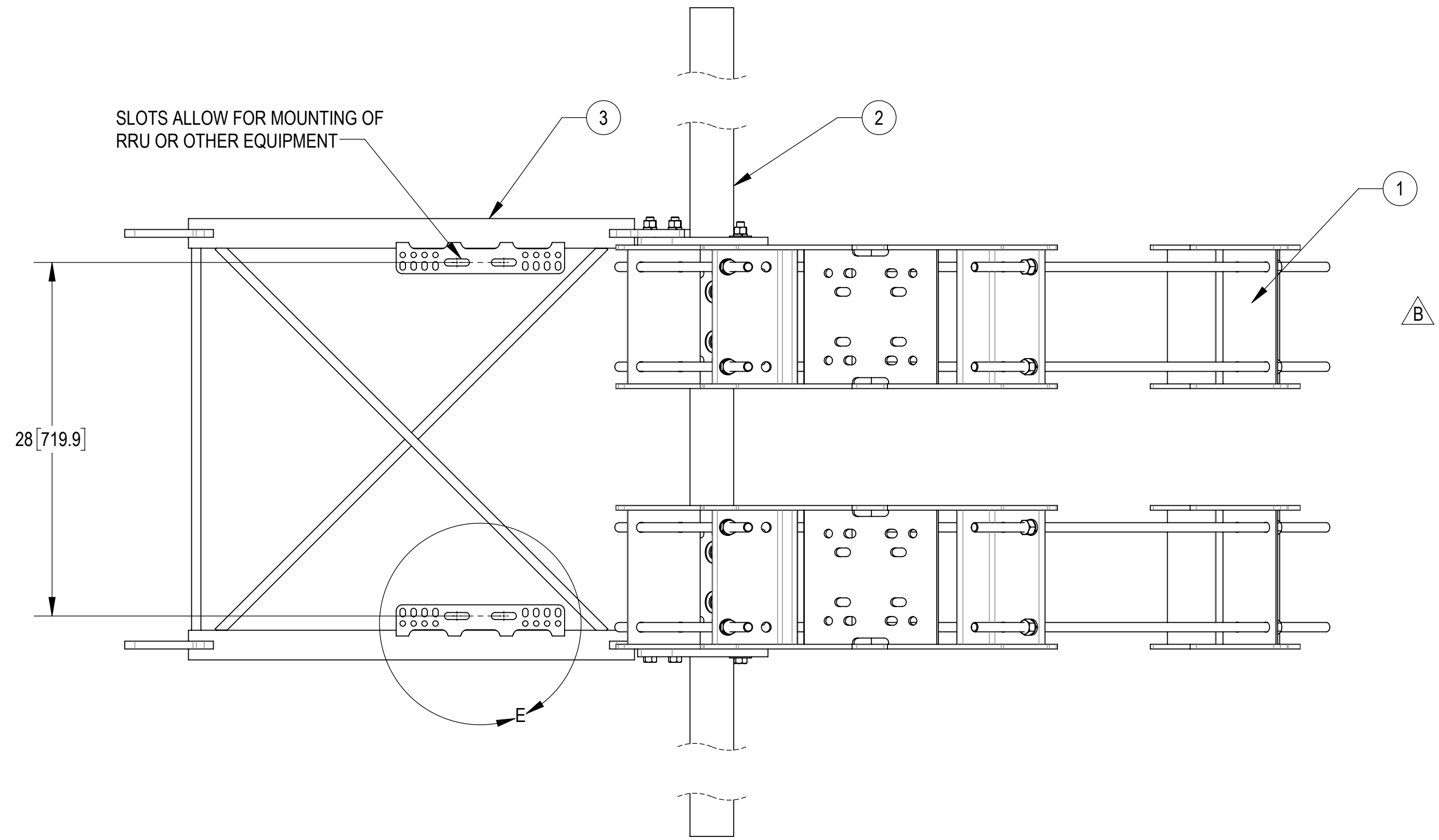
2

1

D

D

SLOTS ALLOW FOR MOUNTING OF RRU OR OTHER EQUIPMENT



28 [719.9]

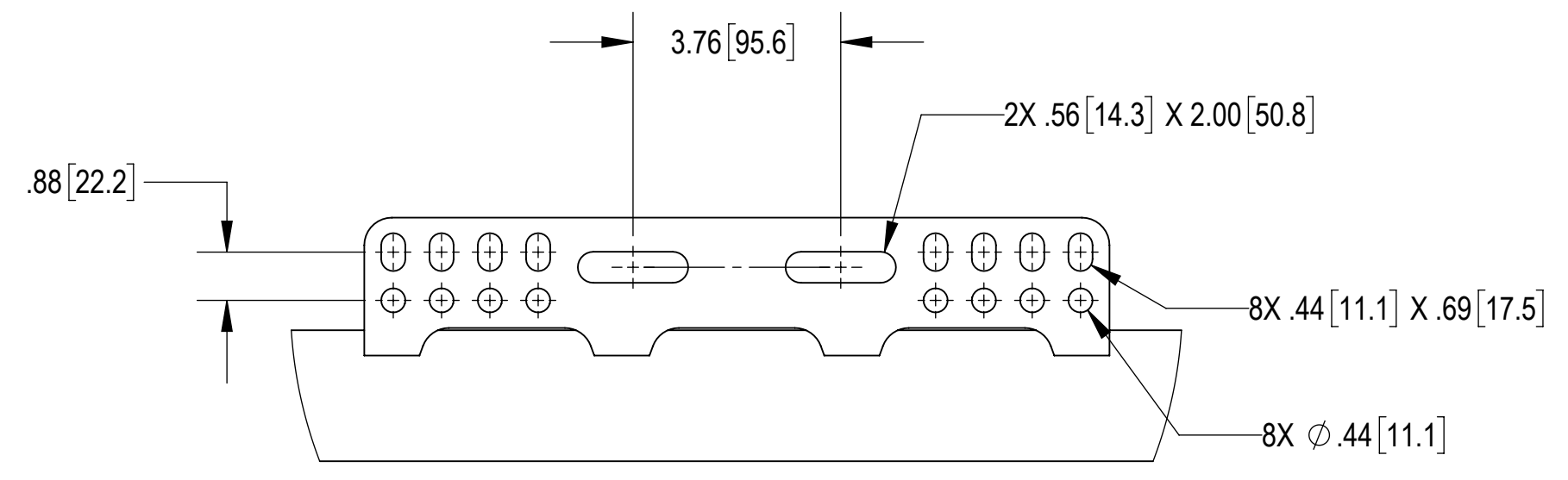
SIDE VIEW

C

C

B

B



DETAIL E
SCALE 1 : 3
2 PLACES

SOME ITEMS OMITTED FOR CLARITY

COMMSCOPE, INC. OF NORTH CAROLINA				
TITLE PG,MP,SF,15'FP,(15)120"AP				
SIZE C	SCALE 1:8	DOCUMENT NO. MCG22RHDX-15M15120		
		DRAWING		SHEET
		VERSION	STATUS	REVISION
		01	RE	B
				5 OF 5

A

A

4

3

2

1