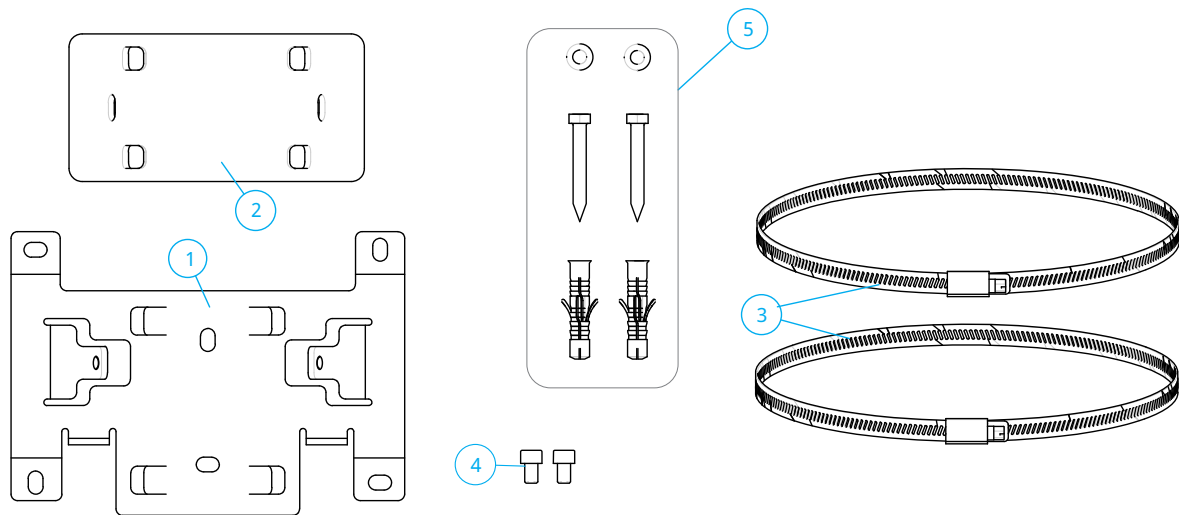


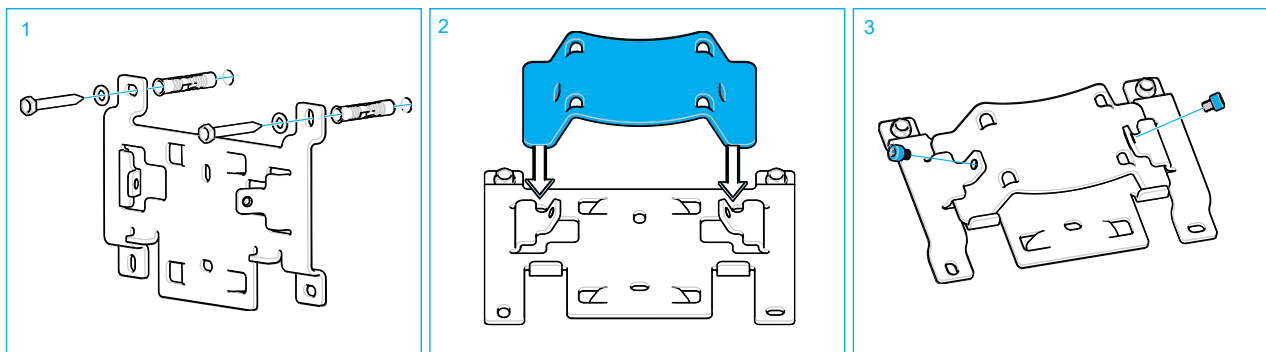
FIST-MSC-MOBRA

1 Kit contents



N°	Description	Qty
1	Mounting bracket	1
2	Baseplate	1
3	Hose-clamp	2
4	Bolt M8x12	2
5	Wall mount kit	1

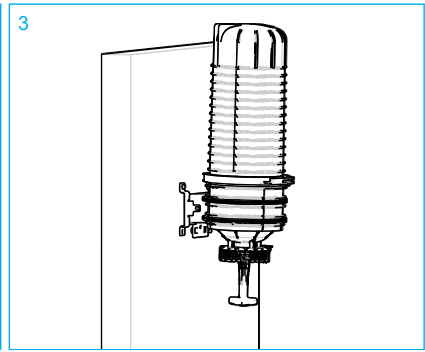
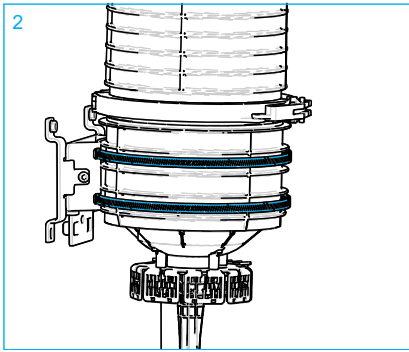
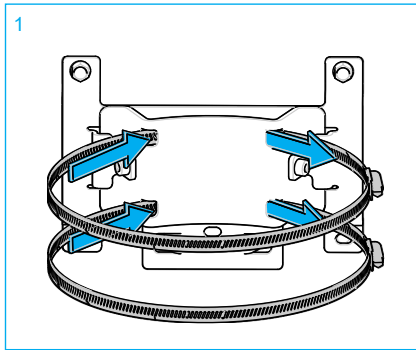
2 Assemble mounting bracket



- 1 Mount the mounting bracket using the wall mount kit.
- 2 Slide the baseplate into the assembly.
- 3 Secure the baseplate with the 2 M8x12 bolts.

3

Mount enclosure on the bracket



- 1 Insert the 2 hose clamp through the 2 holes in the baseplate.
- 2 Secure the enclosure with the 2 hose clamps.
- 3 Figure 3 shows the installed enclosure.