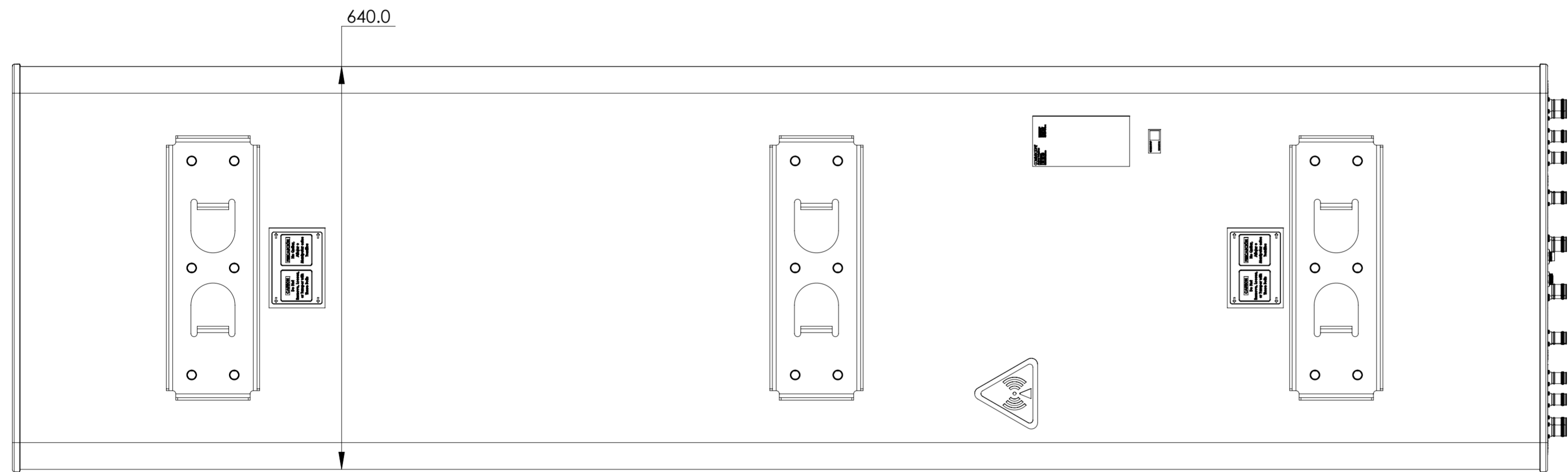
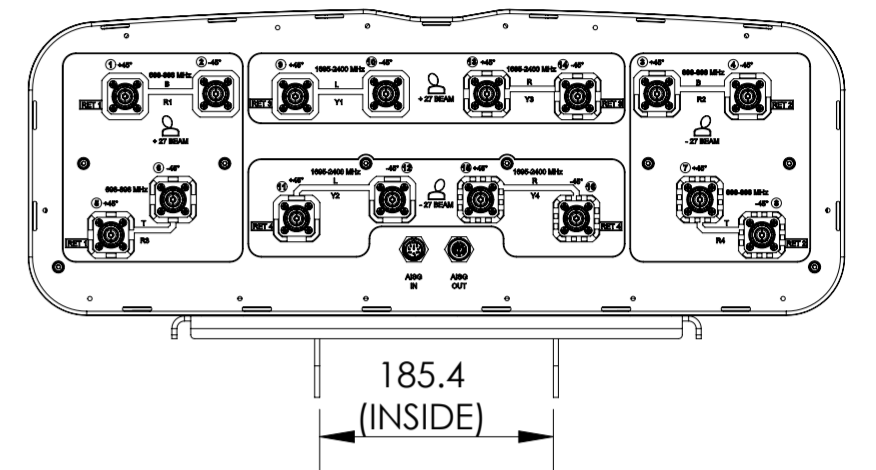
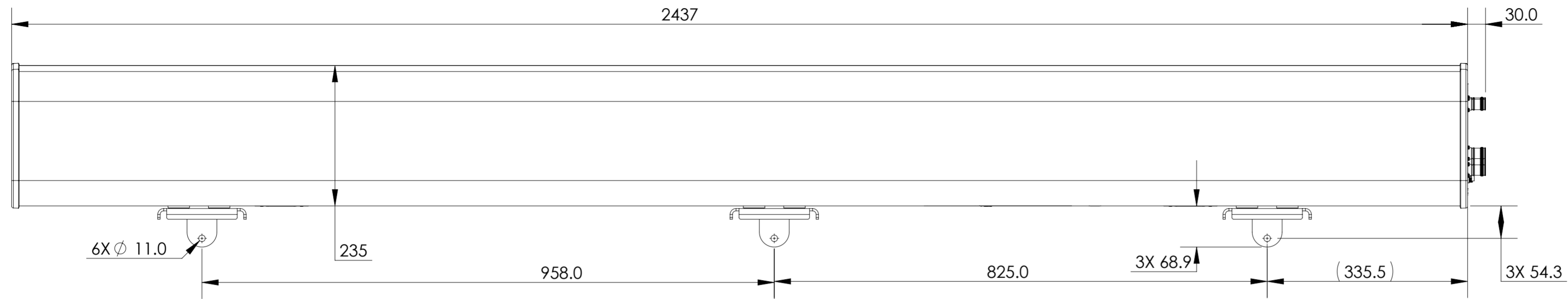


REVISION
B



2NN2HH-33C-R4