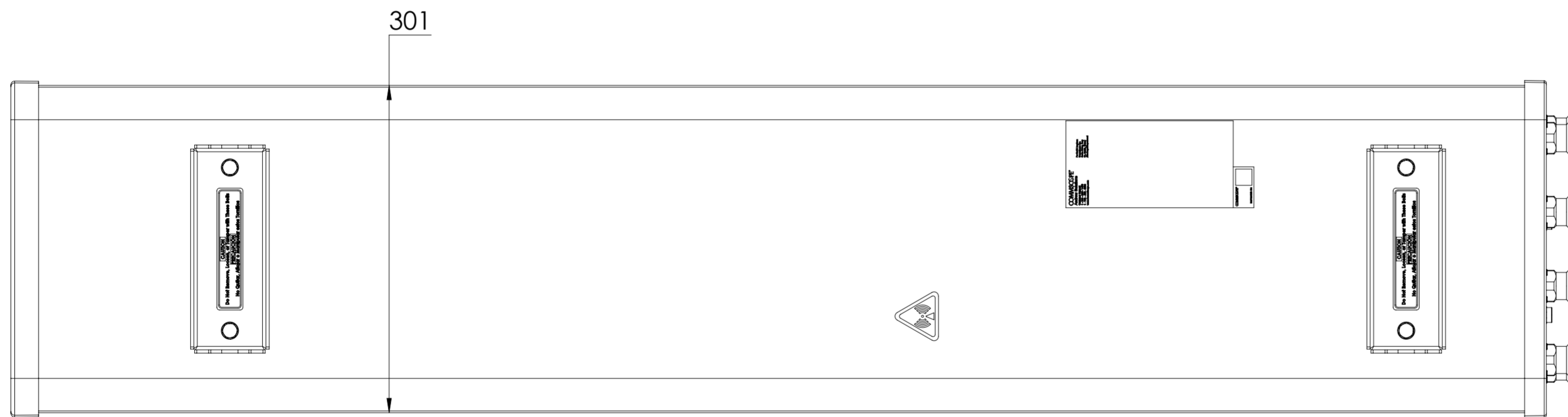
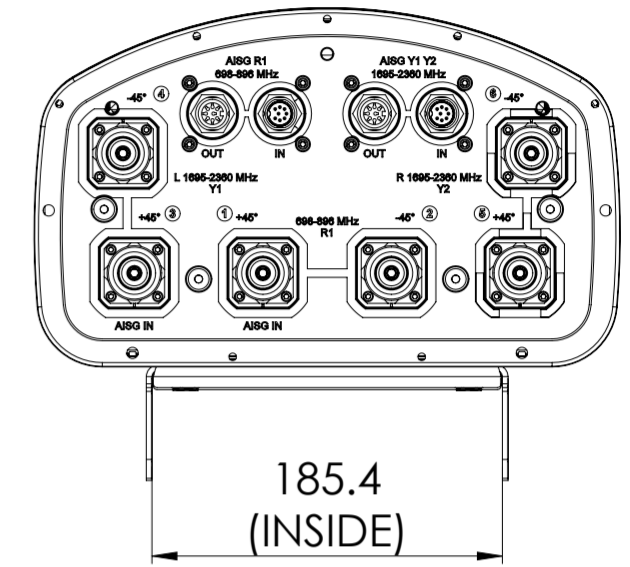
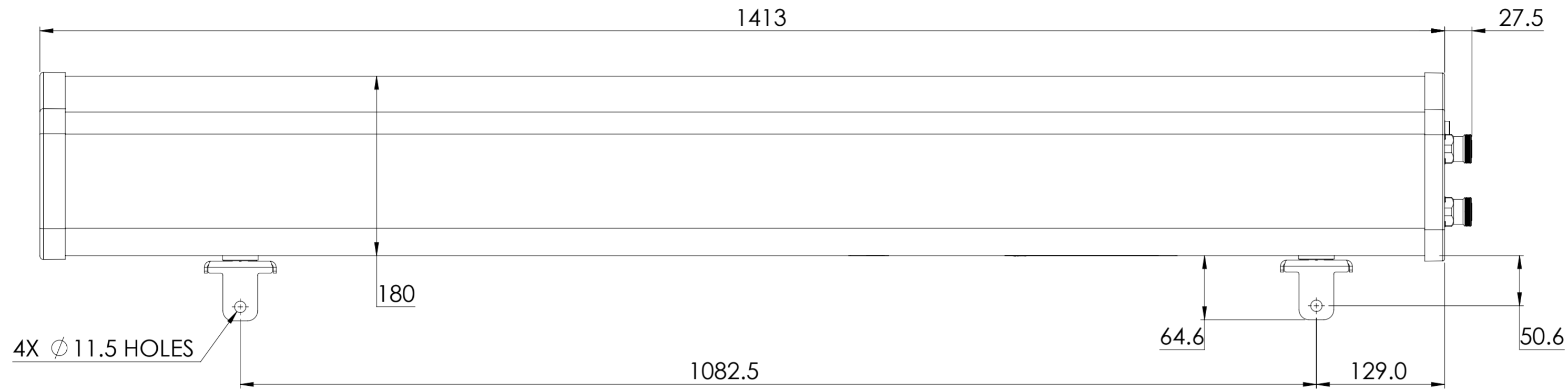


NOTES:

REVISION

B



NHH-65A-R2B