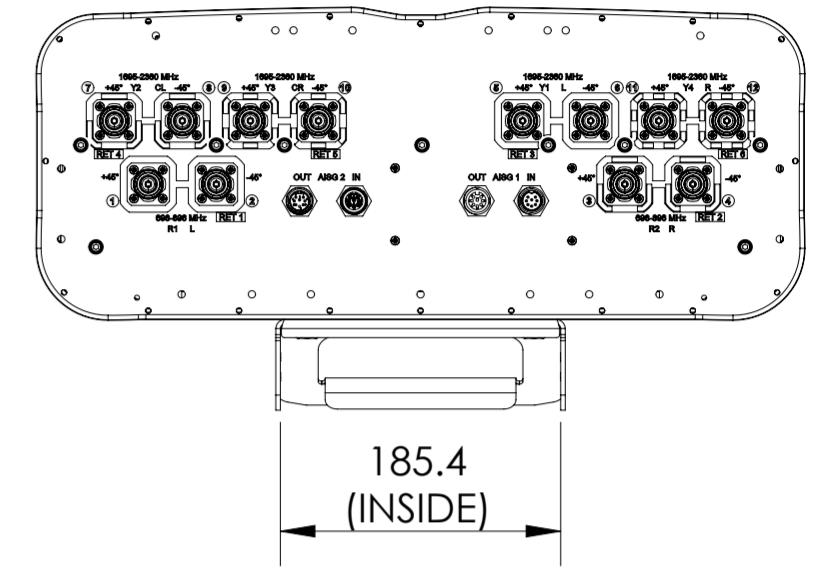
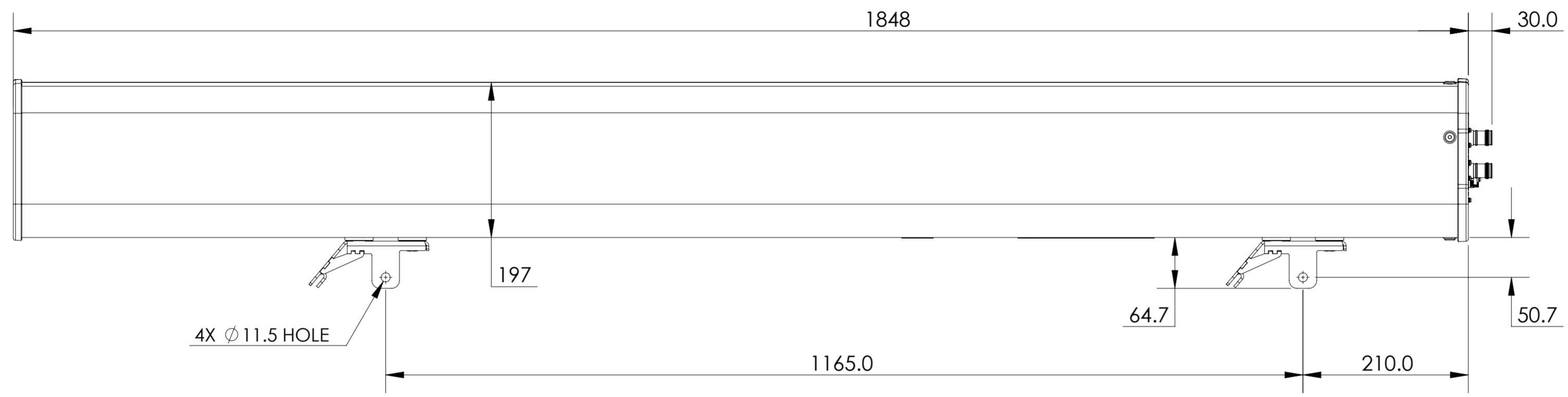


NOTES:

REVISION
C



NNH4-65B-R6H4-V1