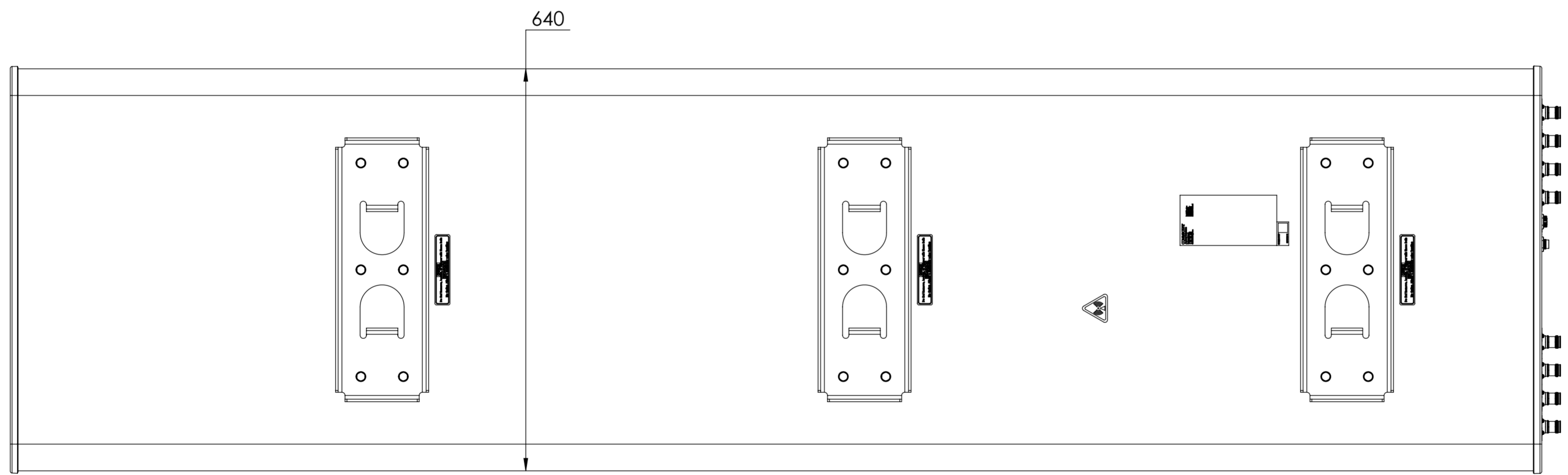
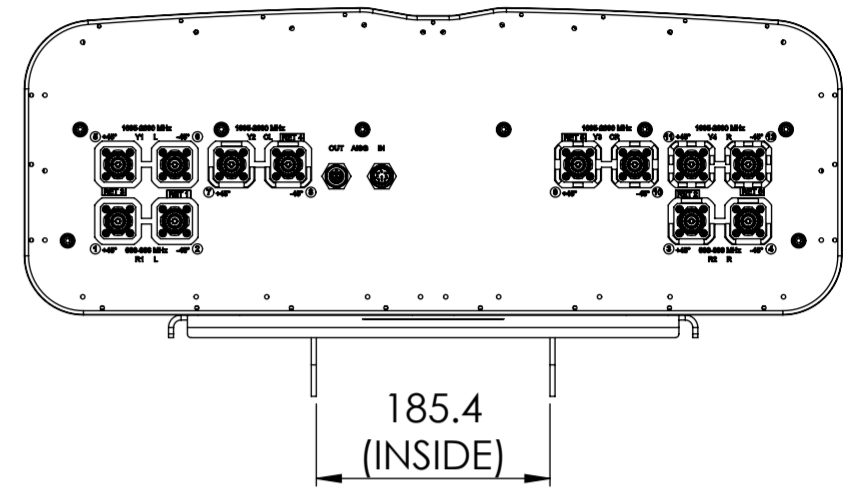
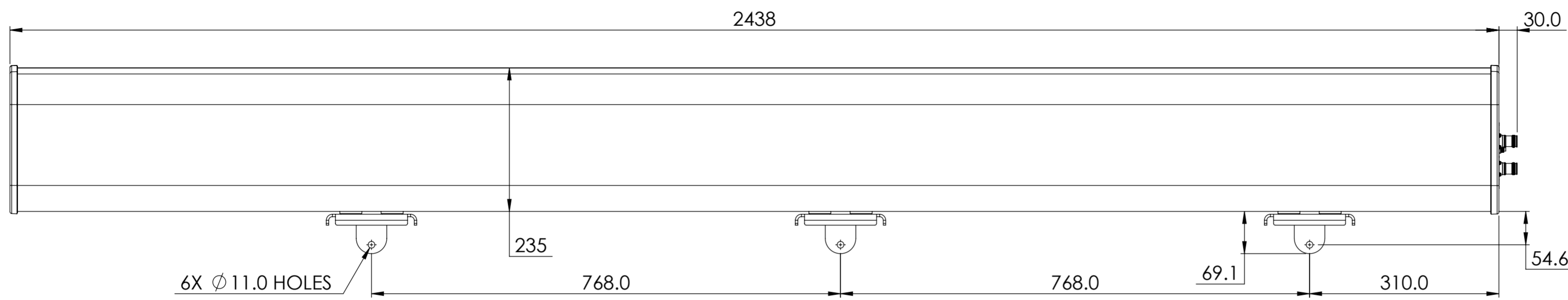


REVISION
A



NNH4-65C-R6-HG