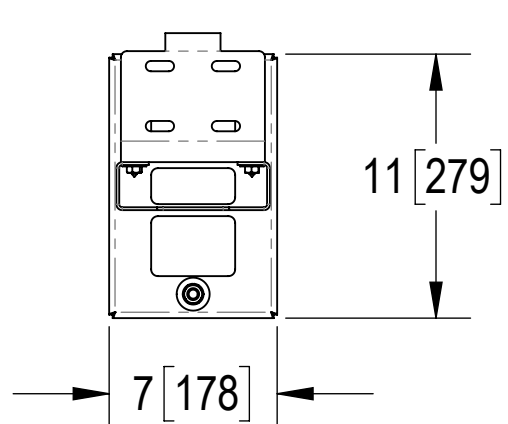
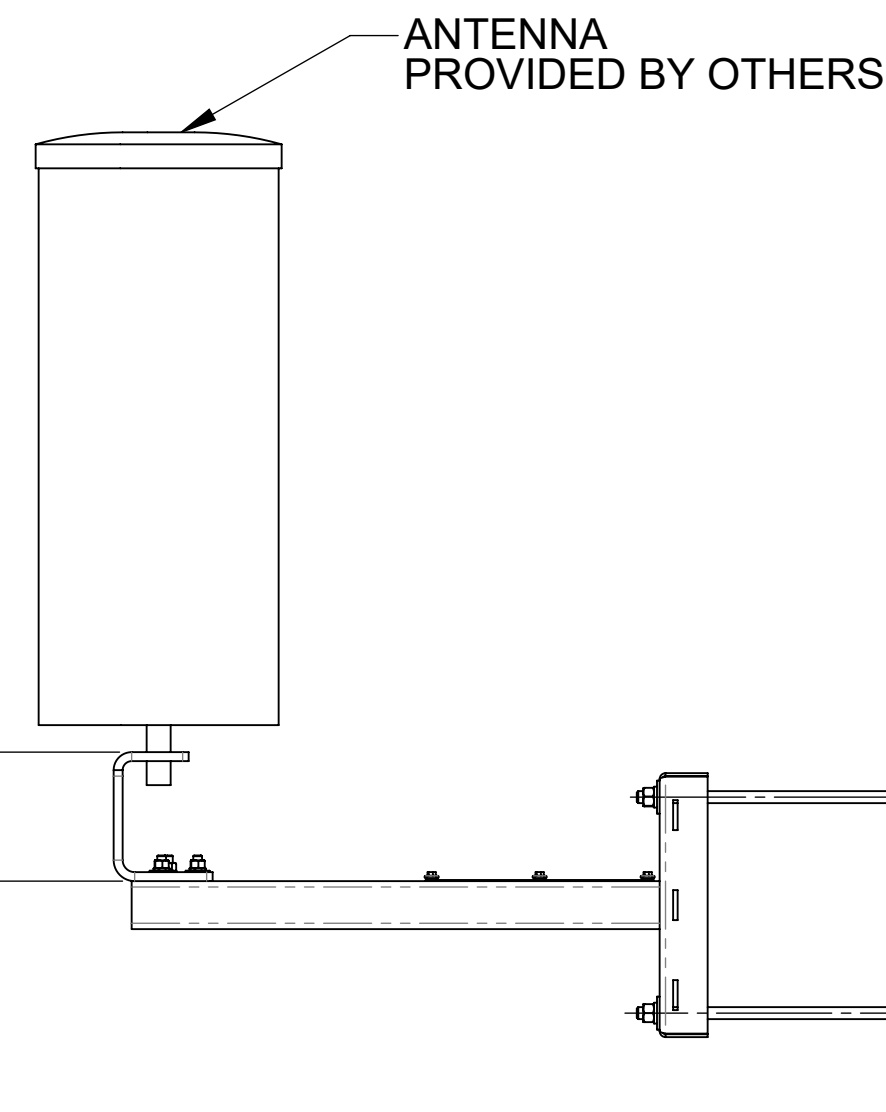
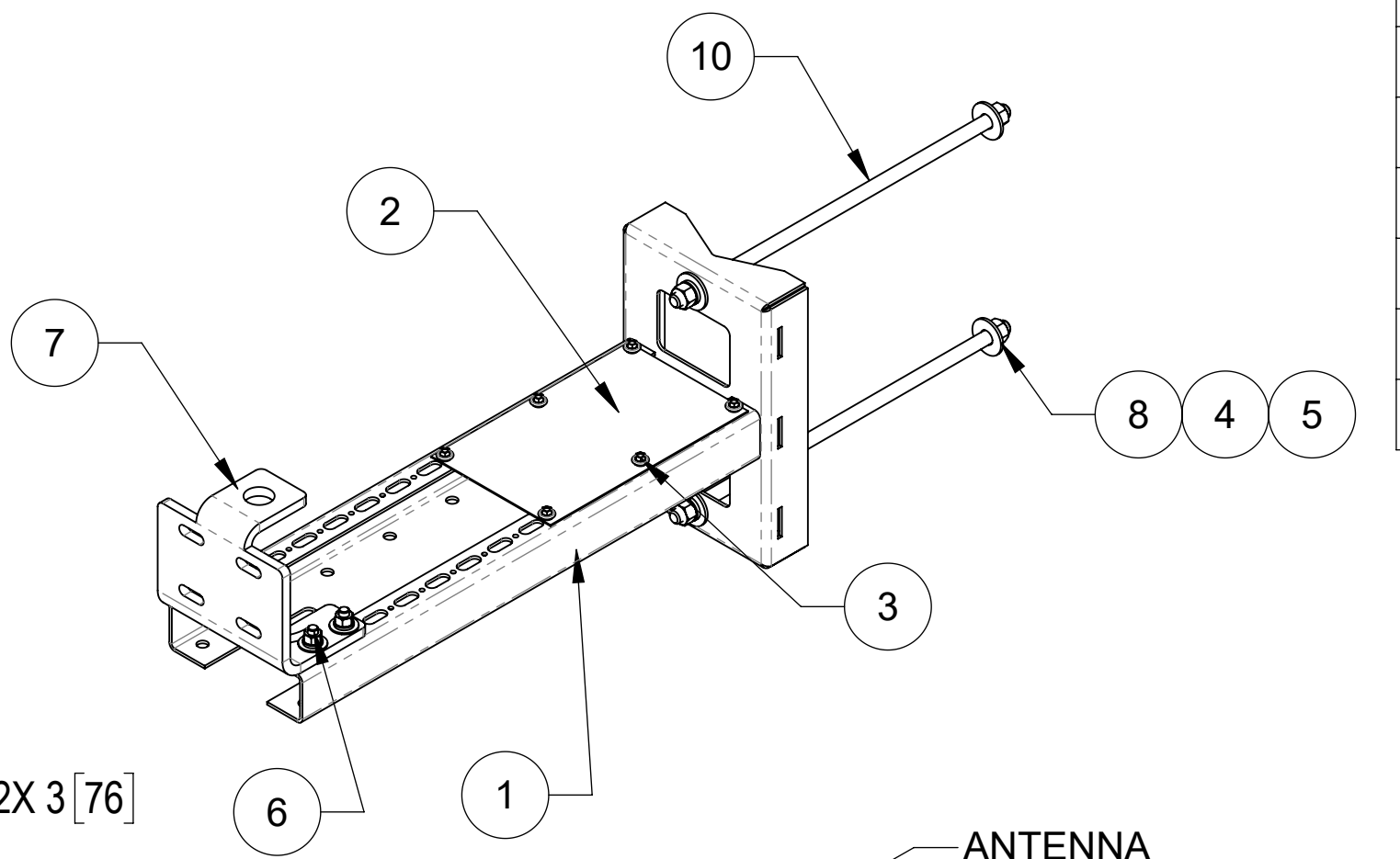
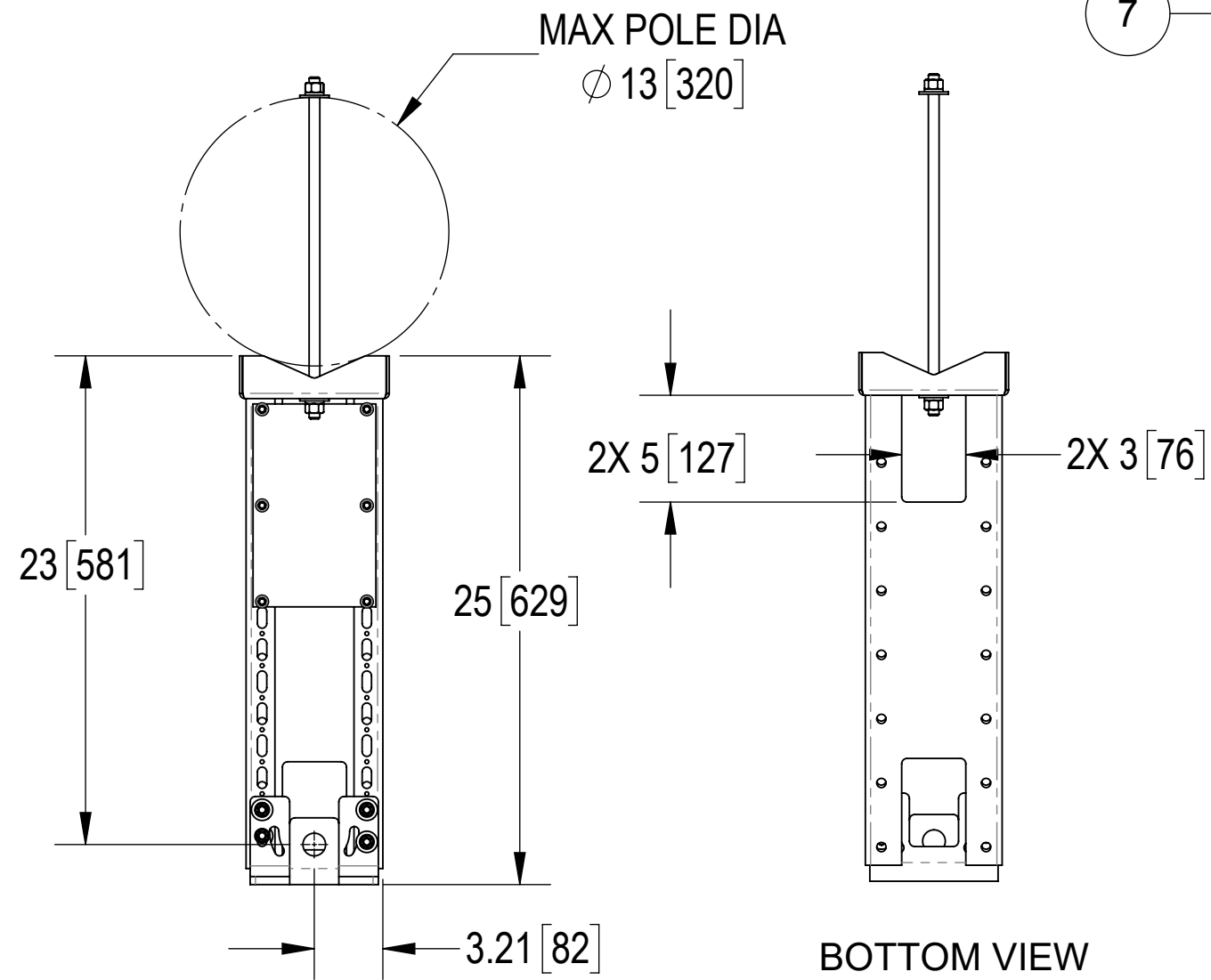


- 1.0 GENERAL
 - 1.1 ALL METRIC DIMENSIONS ARE IN BRACKETS
 - 1.2 FOR PATENT INFO :<https://www.commscope.com/ProductPatent/ProductPatent.aspx>
 - 1.3 PART NO SCSM2B DOES NOT INCLUDE ANTENNA MOUNTING HARDWARE
- 2.0 DESIGN NOTES
 - 2.1 FOR COLOR INFORMATION, REFER TO DRAWING MTM1004
 - 2.2 FOR PANEL ANTENNA, MAX EPA - 2.9 SQ-FT
 - 2.3 ONLY U-BOLT PROVIDED FOR PANEL ANTENNA
- 3.0 MANUFACTURING/SPECIAL REQUIRMENTS
- 4.0 TEST
- 5.0 PACKAGING

GALETRONICS ANTENNA BRACKET SET-UP

REVISIONS			
REV.	DESCRIPTION	DATE	APPROVED
A	INITIAL RELEASE	FA1024 17JAN18	MC1107 8000028011
B	CHANGE Z BRKT TO U BRKT	FA1024 09MAR18	MC1107 8000028833
C	CHANGE WIDTH OF CHANNEL AND U BRACKET	FA1024 05JUN18	MC1107 8000029974
D	COMBINED CANISTER AND PANEL ANTENNA BRKT	FA1024 13JUL18	MC1107 8000030749
E	ADD PANEL ANTENNA MTG & UPDATE FORMAT	FA1024 04OCT18	MC1107 8000031690
F	ADDED 2 ANTENNAS TO TABLE; FIX NOTE 1.3	RJC 11MAR19	MC1107 8000034330
G	DELETED COMPATIBLE ANTENNAS CHART	ZL1057 07MAR23	SH1132 40167169CMO



COMPONENT PART NUMBERS PROVIDED FOR ASSEMBLY PURPOSES;
INDIVIDUAL COMPONENTS MAY BE SHIPPED AS PARTS WITHIN AN INCLUDED KIT.

ITEM	PART NO.	DESCRIPTION	QTY.	WEIGHT	NOTE NO.
1	MTC397307	WELDMENT, SCSM, 24" STANDOFF	1	0.00 LBS	
2	MTC397344	COVER, SCSM, 24" STANDOFF	1	0.74 LBS	
3	TS1275	TEK SCREW #12 X 3/4, WITH NEOPRENE WASHER	6	0.02 LBS	
4	GWL-04	1/2" GALV LOCK WASHER	4	0.01 LBS	
5	GN-04	1/2" GALV HEX NUT	4	0.04 LBS	
6	GB-03125	3/8" X 1-1/4" GALV BOLT KIT	4	0.06 LBS	NOT INCLUDED IN SCSM2B
7	MTC401218	MOUNT, PANEL/CANISTER ANTENNA	1	4.82 LBS	NOT INCLUDED IN SCSM2B
8	GWFF-04	1/2" GALV FLAT WASHER	4	0.04 LBS	
9	GWFF-03	3/8" GALV FLAT WASHER	4	0.01 LBS	NOT INCLUDED IN SCSM2B
10	MT37916	1/2" X 16" GALV THREADED ROD	2	0.88 LBS	
11	MTC401211	UNIVERSAL ANTENNA MOUNT	1	3.27 LBS	NOT INCLUDED IN SCSM2B
12	GUB-3244	3/8" X 2-1/2" X 4" GALV U-BOLT	2	0.31 LBS	NOT INCLUDED IN SCSM2B

PATENT PENDING

COMMSCOPE, INC. OF NORTH CAROLINA

TOLERANCES		SAP MATERIAL MASTER	
0 PLACE X ± .25[6.4]	2 PLACE .XX ± 0.06[1.5]	SCSM2	
1 PLACE .X ± 0.12[3.0]	ANGLES ± 2°		
FINISH GALV A123		MATERIAL A1011/A1018	
UNLESS OTHERWISE SPECIFIED DIMENSIONS ARE IN INCHES INTERPRET PER ANSI Y 14.5M-1994	NAME	DATE	TITLE
	CE FA1024	01/17/2018	SMALL CELL SIDE MOUNT, 24" STANDOFF
	RW ZL1057	10/08/2018	
	RV		
	AD DM1121	03/14/2023	
RE DM1121	03/14/2023		
ECN 008000031690	SCALE 1:8	DOCUMENT NO. SCSM2	
SIZE WORK AREA 24	MODEL		DRAWING
C	VERSION 00	STATUS RE	REVISION B
	VERSION 02	STATUS RE	REVISION G
			SHEET 1 OF 2

DENSITY	0.28	lbs/in ³
MASS	23.40	lbs
VOLUME	82.54	in ³
SURFACE AREA	2002.52	in ²
HEIGHT	11.9[302]	
LENGTH	37.8[960]	
WIDTH	6.4[163]	

4

3

2

1

NOTES:

D

D

C

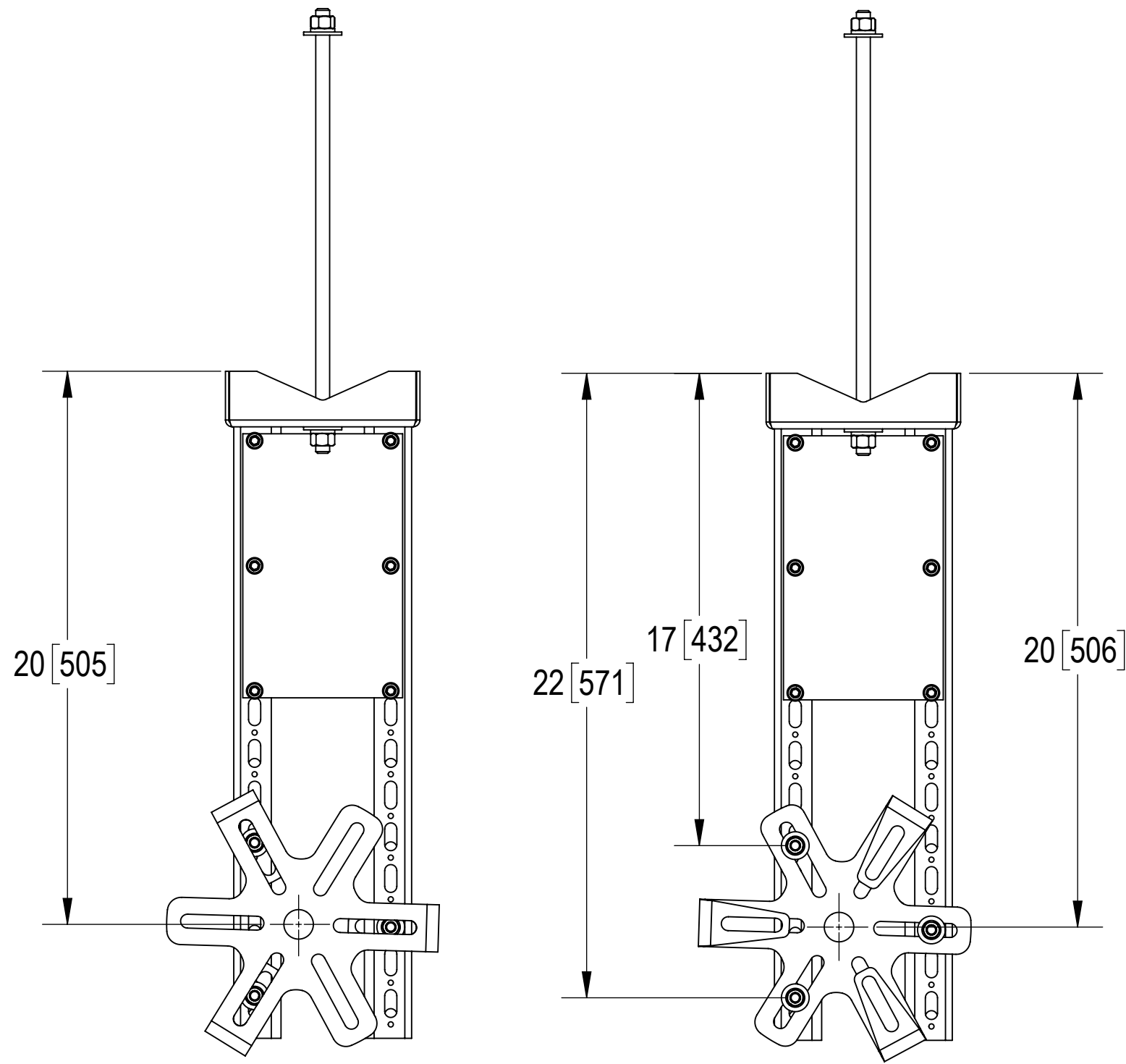
C

B

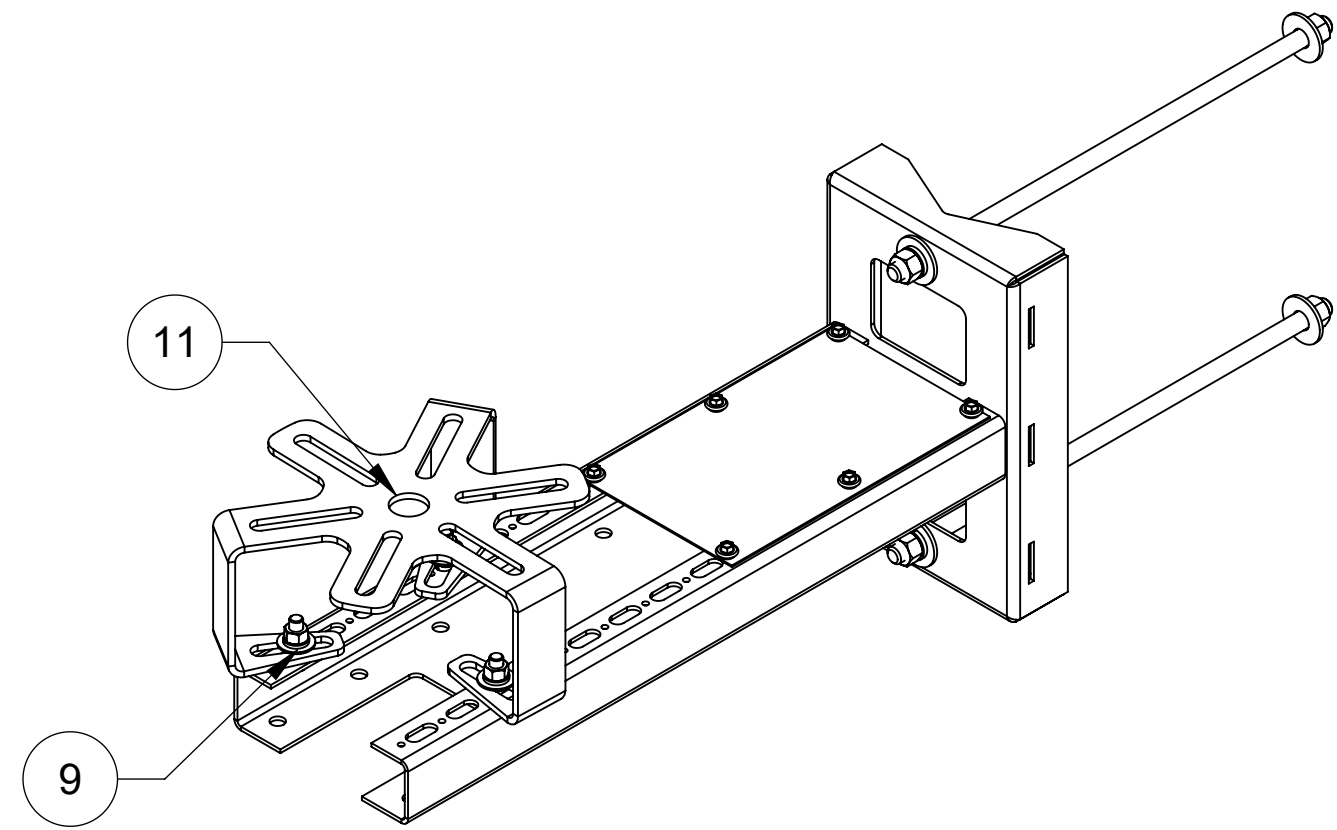
B

A

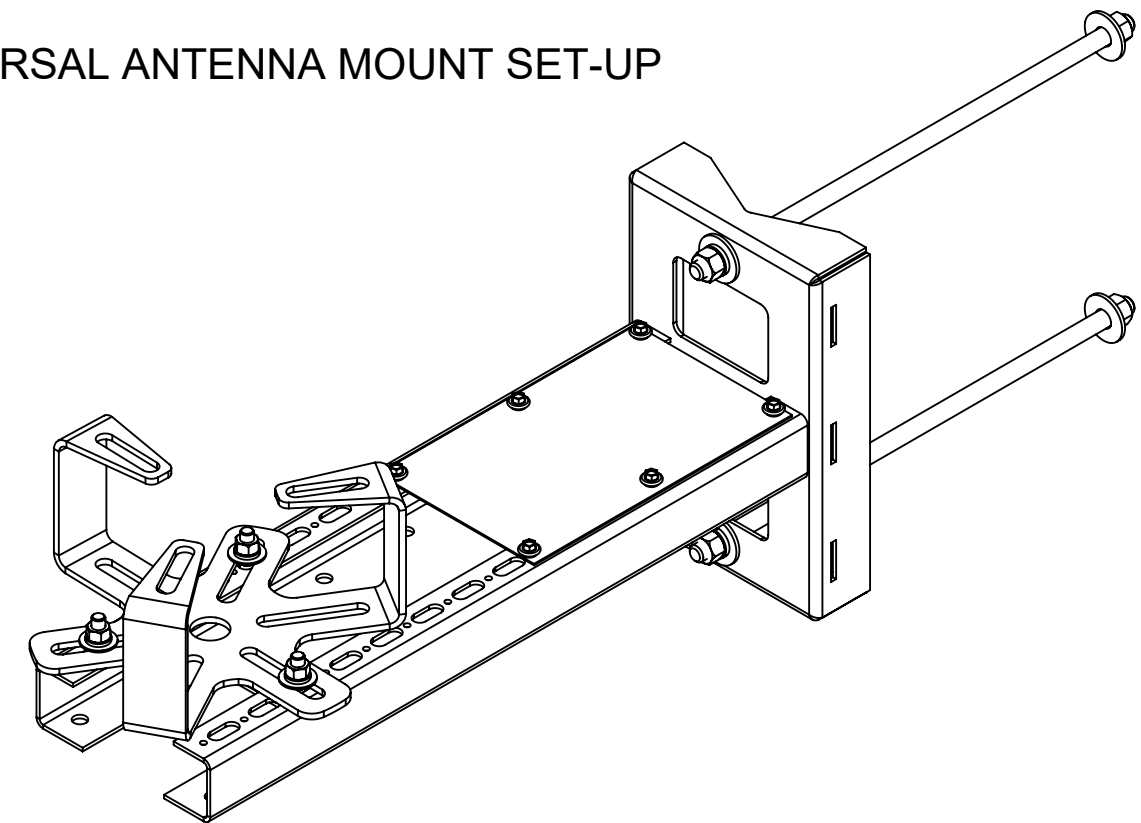
A



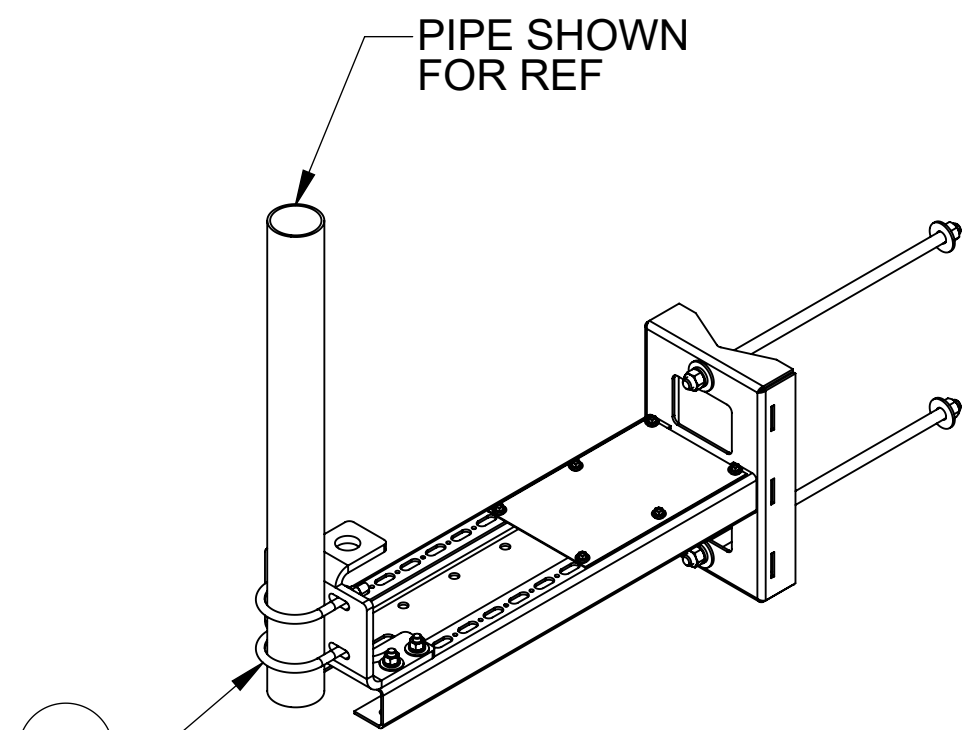
UNIVERSAL ANTENNA MOUNT FLIPPED



UNIVERSAL ANTENNA MOUNT SET-UP



UNIVERSAL ANTENNA MOUNT SET-UP FLIPPED



PANEL ANTENNA MOUNT

COMMSCOPE, INC. OF NORTH CAROLINA				
TITLE SMALL CELL SIDE MOUNT, 24" STANDOFF				
SIZE C	SCALE 1:5	DOCUMENT NO. SCSM2		
		DRAWING		SHEET 2 OF 2
		VERSION 04	STATUS RE	

4

3

2

1