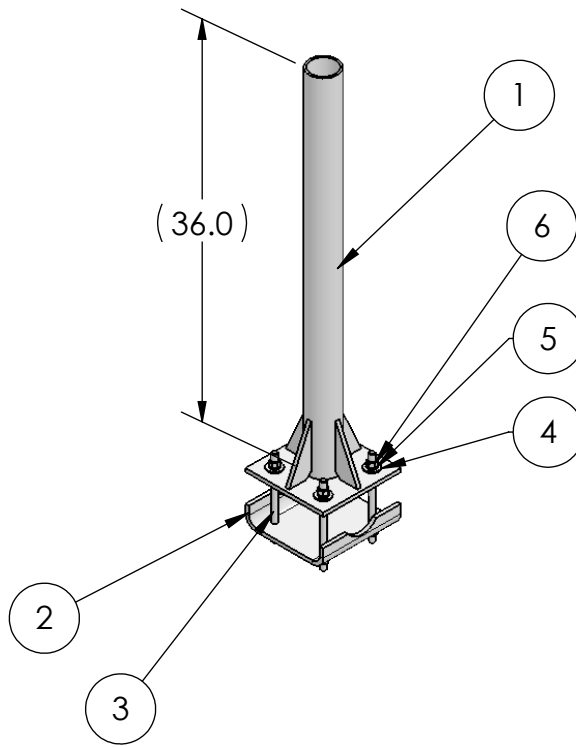


REVISIONS			
REV.	DESCRIPTION	DATE	APPROVED
A	INITIAL RELEASE	10/01/2024	MJP



ITEM NO.	PART NUMBER	DESCRIPTION	QTY.
1	MTC990901-3FT	Antenna Mount Weldment	1
2	MTC990902	Bottom Bracket	1
3	MT-379-8	1/2" X 8" GALV THREADED ROD	4
4	GWF-04	1/2" GALV FLAT WASHER	8
5	GWL-04	1/2" GALV LOCK WASHER	8
6	GN-04	1/2" GALV HEX NUT	8

These drawings and specifications are the proprietary property of CommScope Inc. and may be used only for the specific purpose authorized in writing by CommScope Inc.

DRAWN BY:

MJP

SHEET:

1 of 1

PART NUMBER:

CSMAST-RRU-003

CHECKED BY:

SCALE:

DESCRIPTION:

DATE:

MATERIAL:

DRAWING TYPE:

REVISION:

A

FINISH:

WEIGHT:

**COMMSCOPE®**

ALL DIMENSIONS ARE IN INCHES U.O.S.  
TOLERANCES UNLESS OTHERWISE SPECIFIED:  
.X = ± .12 ANGLES ±2°  
.XX = ± .06 FRACTIONS ±1/32  
.XXX = ± .031

REMOVE BURRS AND BREAK EDGES .005

DO NOT SCALE THIS PRINT