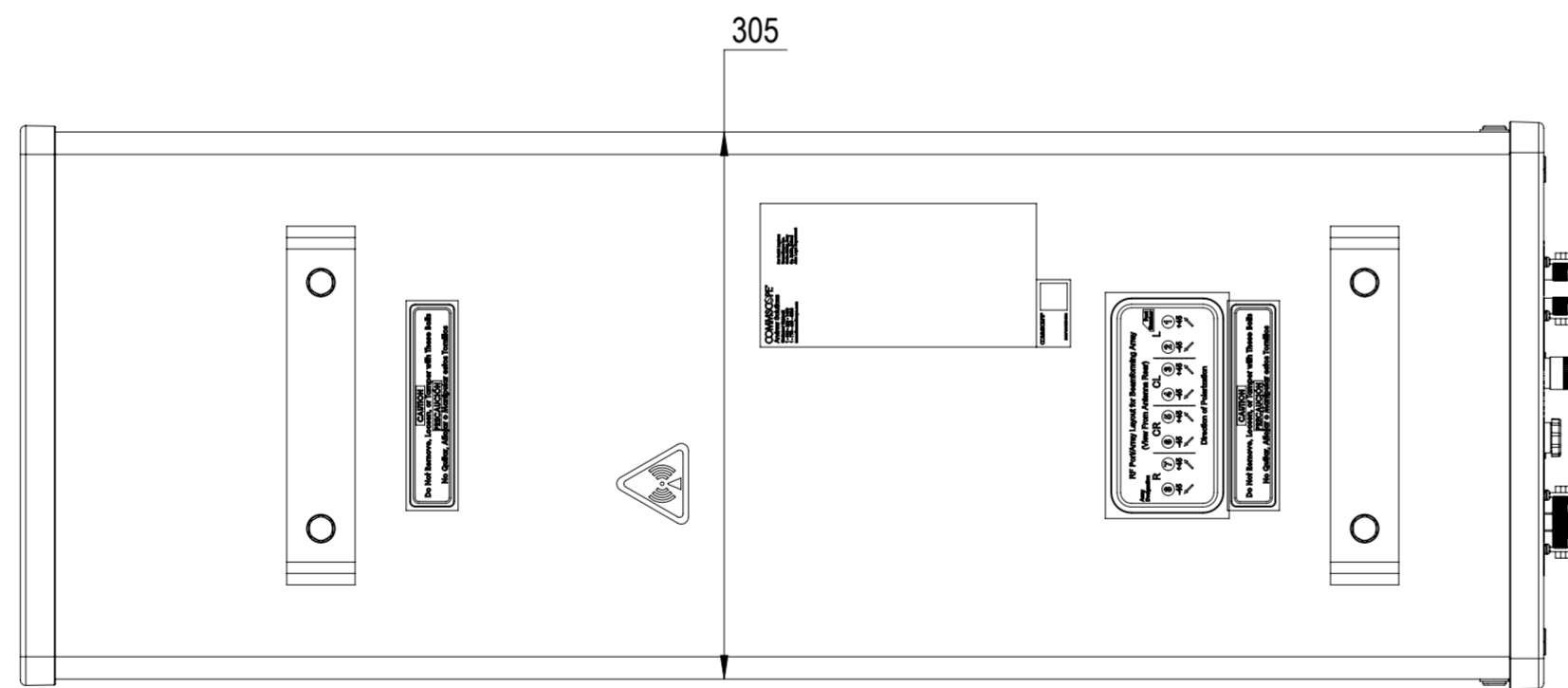
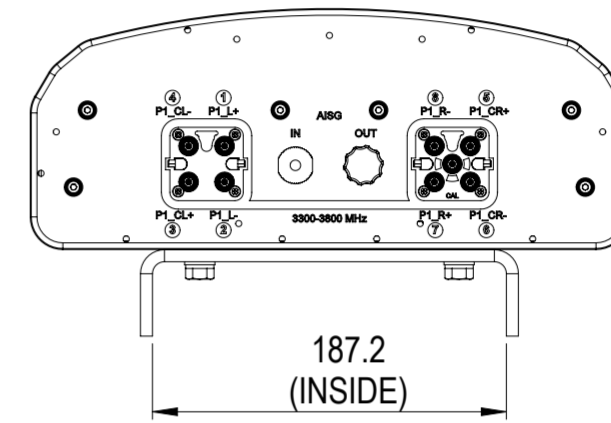
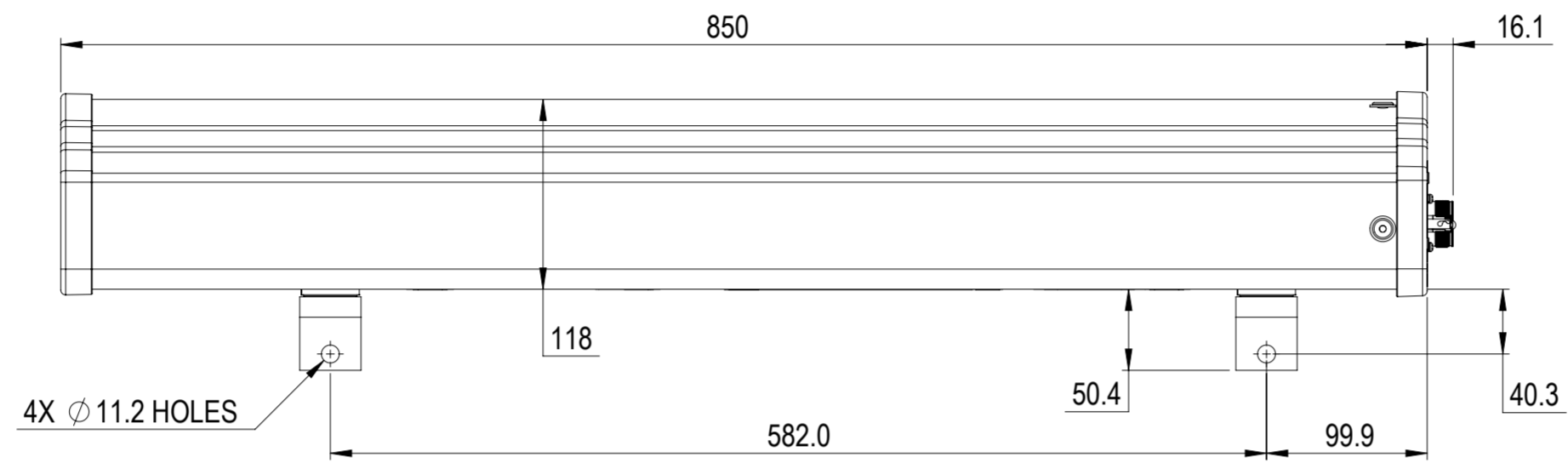


REVISION
B



S4-90M-R1-V3