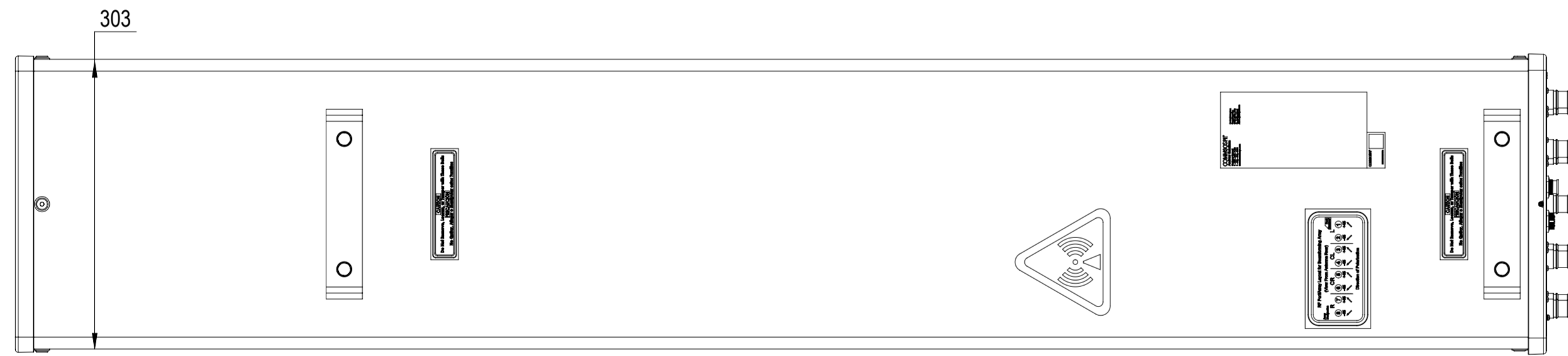
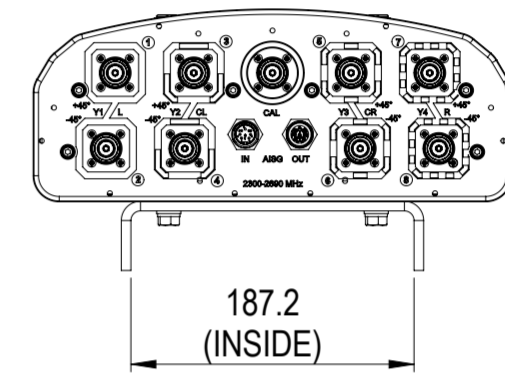
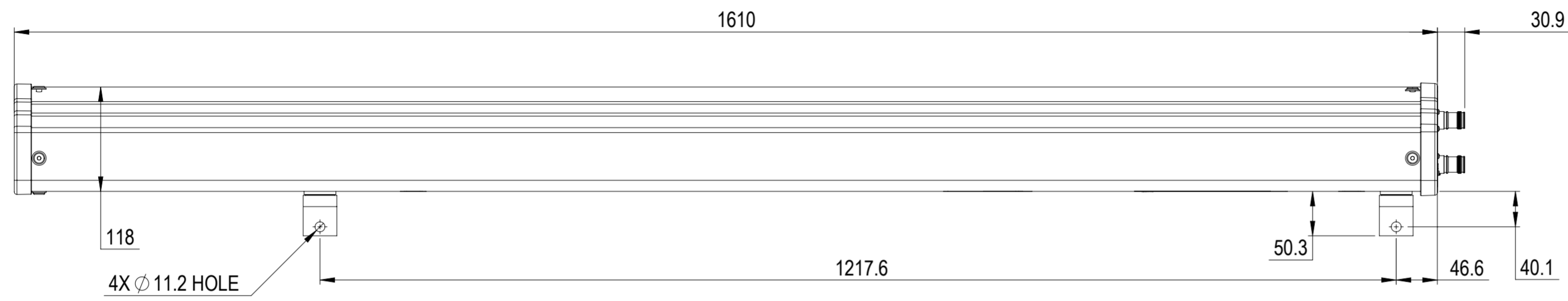


REVISION
A



T4-90A-R1-V6