

8

7

6

5

4

3

2

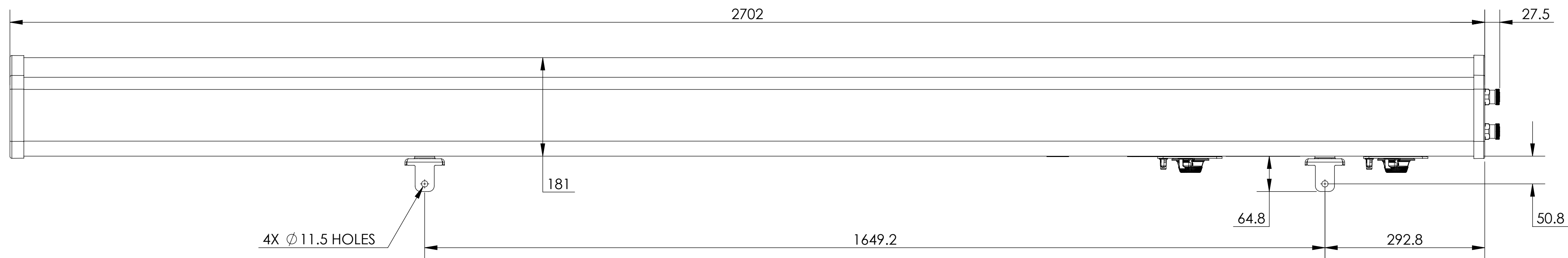
1

NOTES:

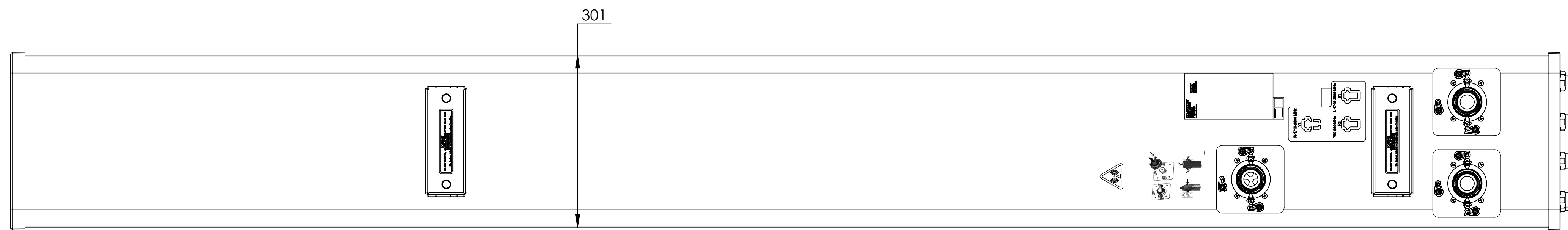
REVISION
F

D

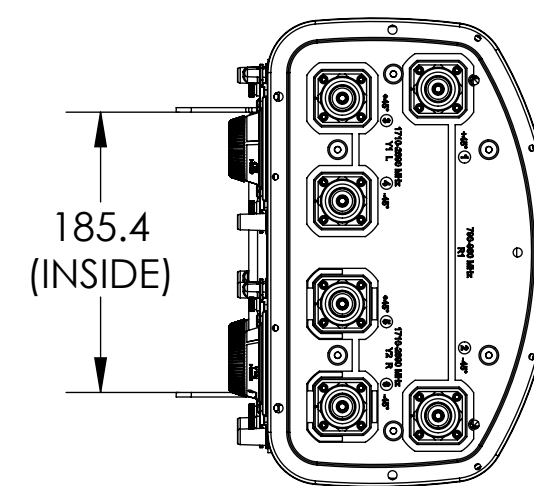
D



C



B



A

CVV65DSX-M

8

7

6

THIRD ANGLE PROJECTION

3

2

1

8

7

6

5

4

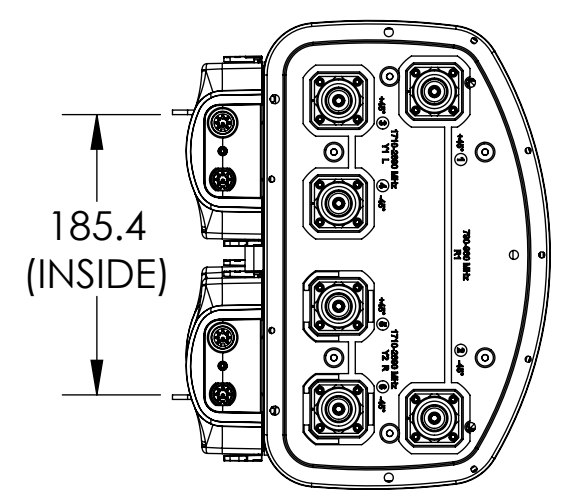
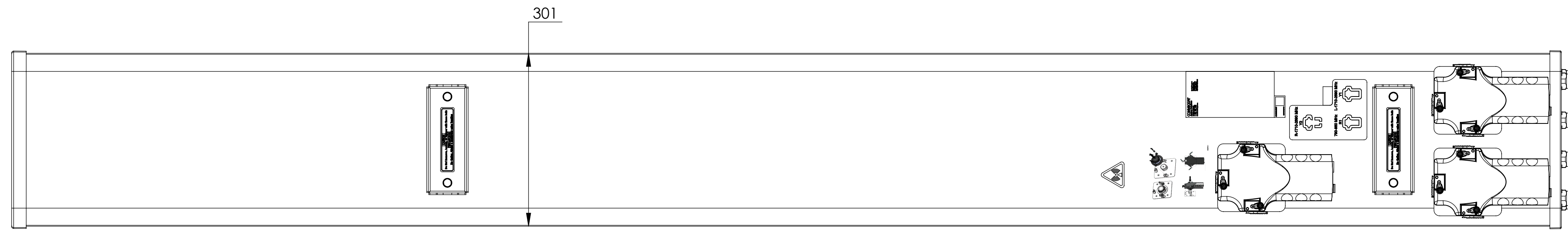
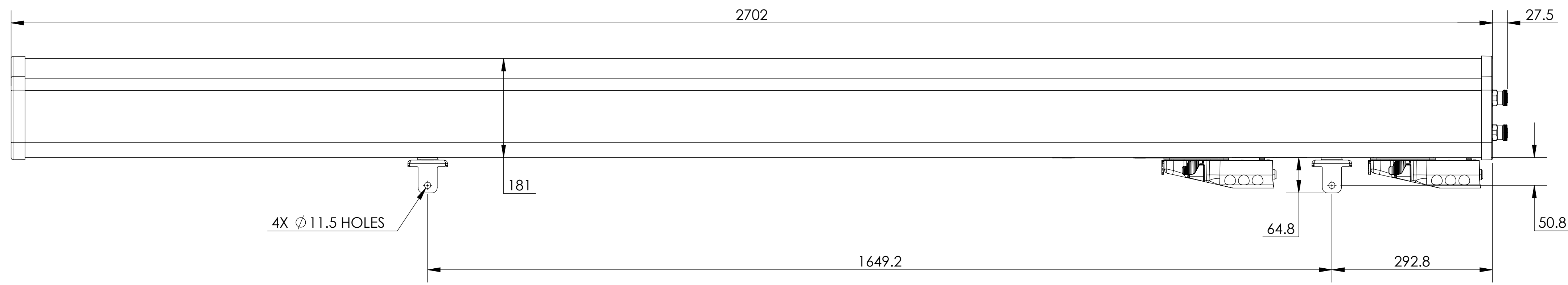
3

2

1

D

D



CVV65DSX-3X2

A

A

8

7

6

THIRD ANGLE PROJECTION

3

2

1