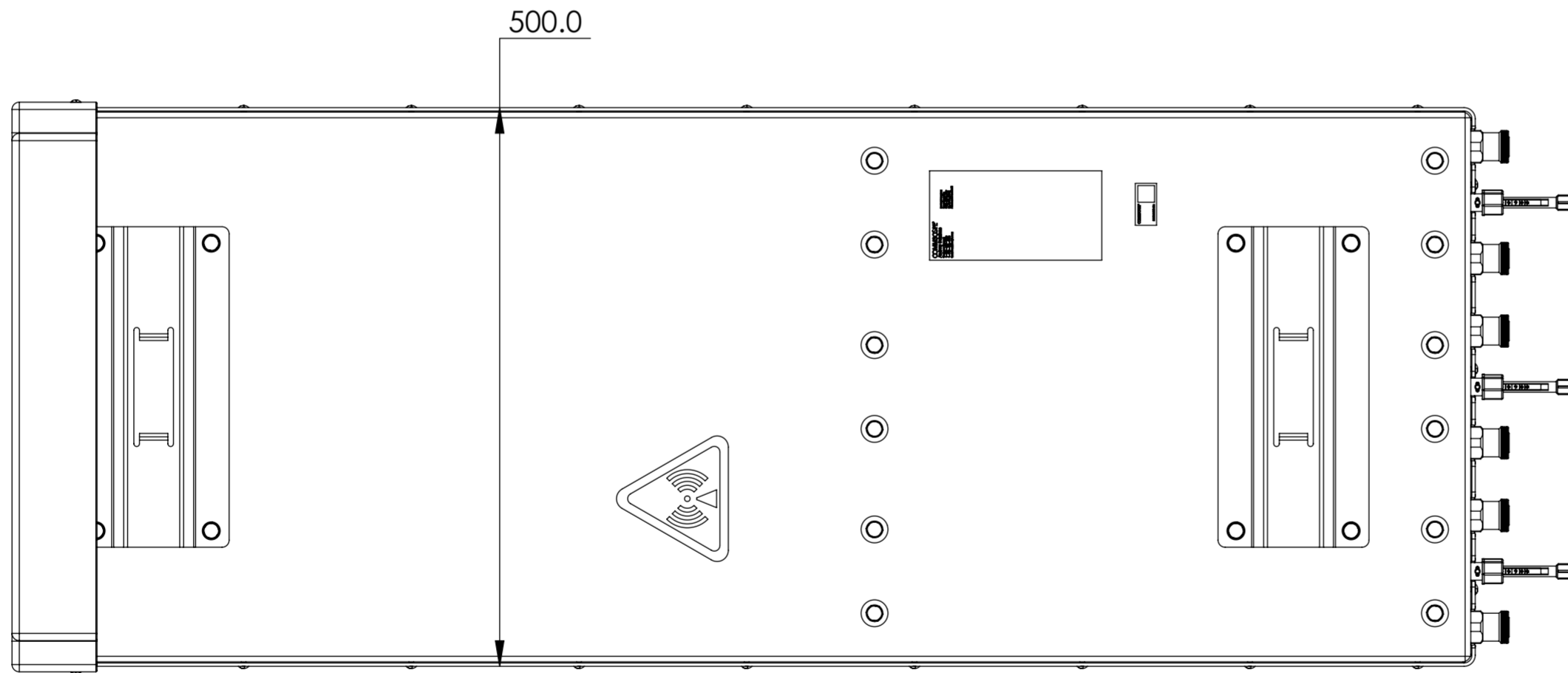
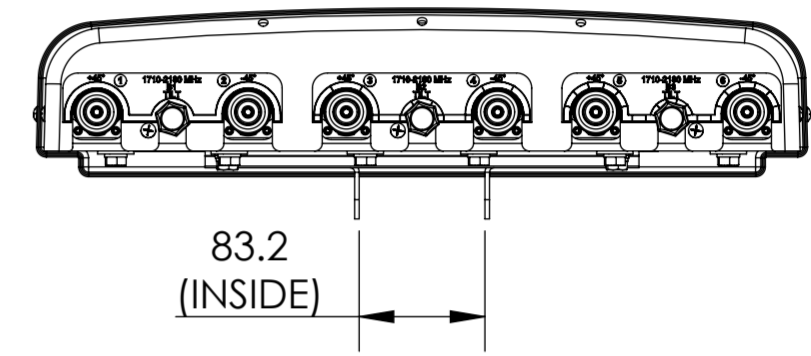
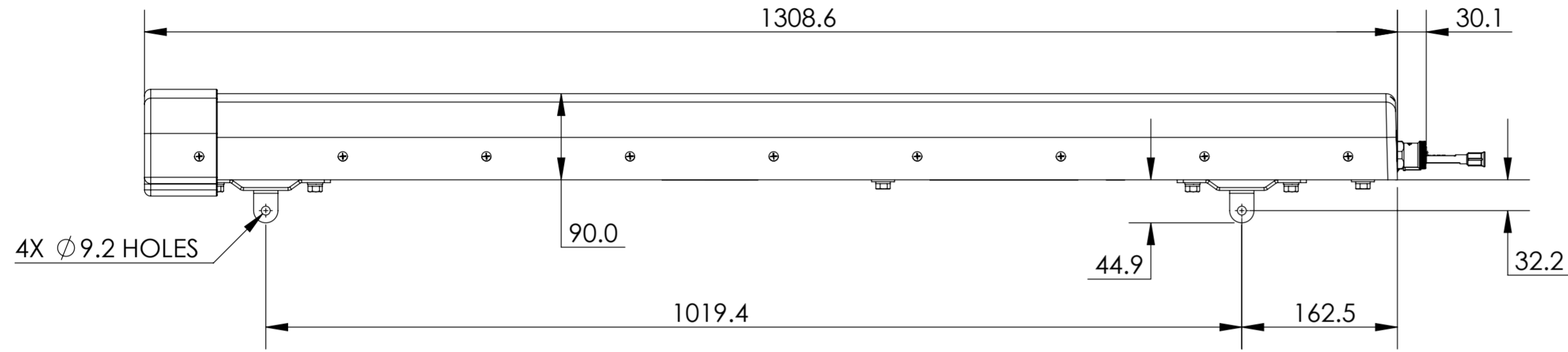


NOTES:

REVISION

J



HBXXX-6516DS-VTM

THIRD ANGLE PROJECTION

THIRD ANGLE PROJECTION

4

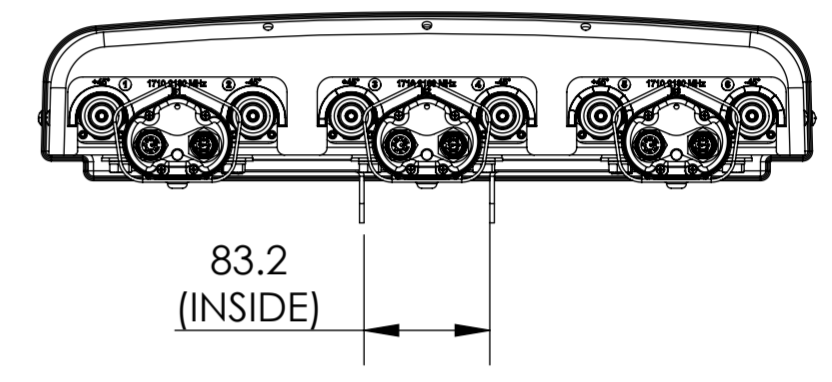
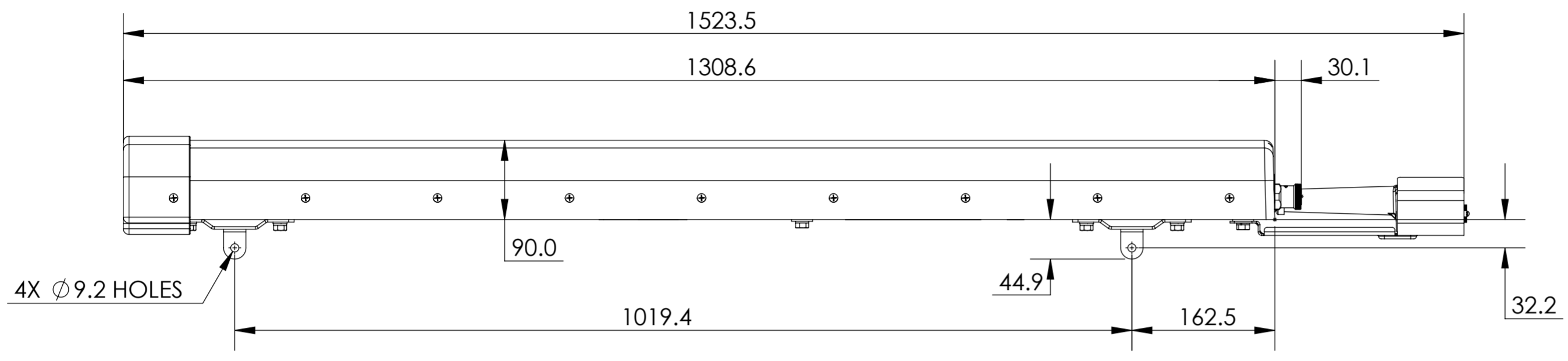
3

2

1

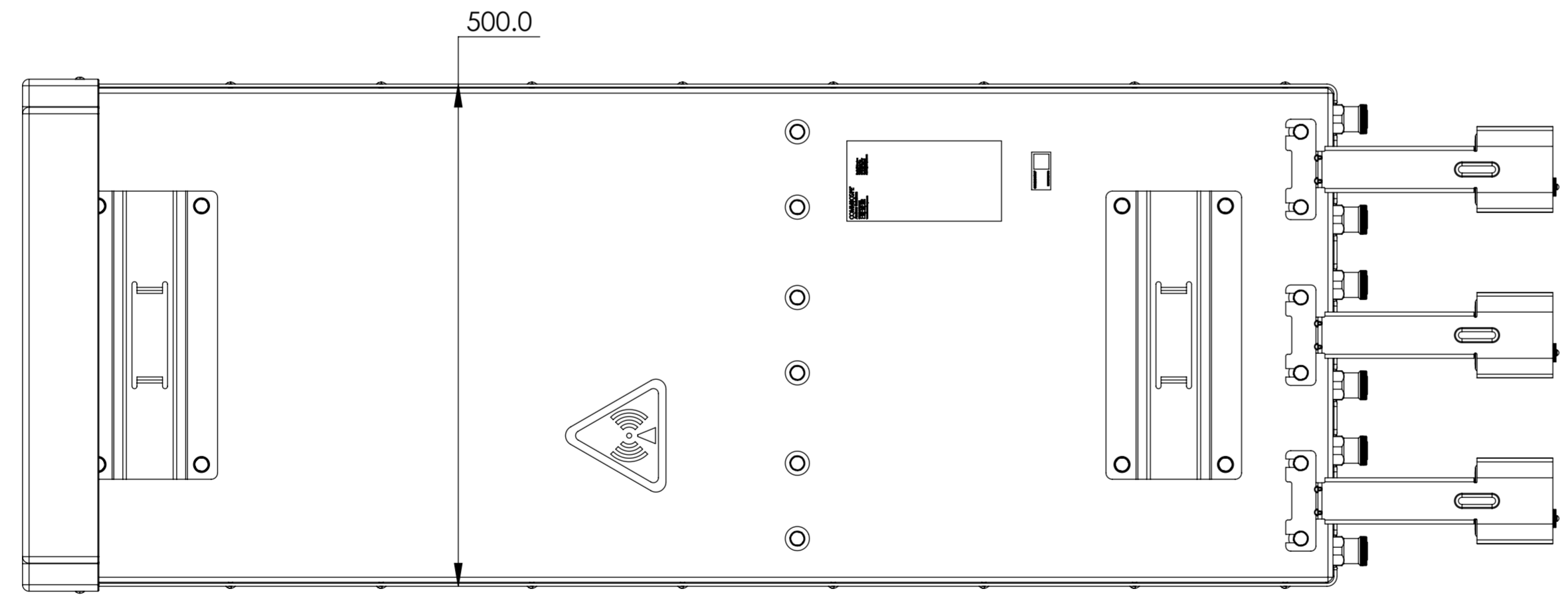
D

D



THIRD ANGLE PROJECTION C

C



HBXXX-6516DS-R2M
HBXXX-6516DS-A3M

B

B

A

A

4

3

2

1

THIRD ANGLE PROJECTION

4

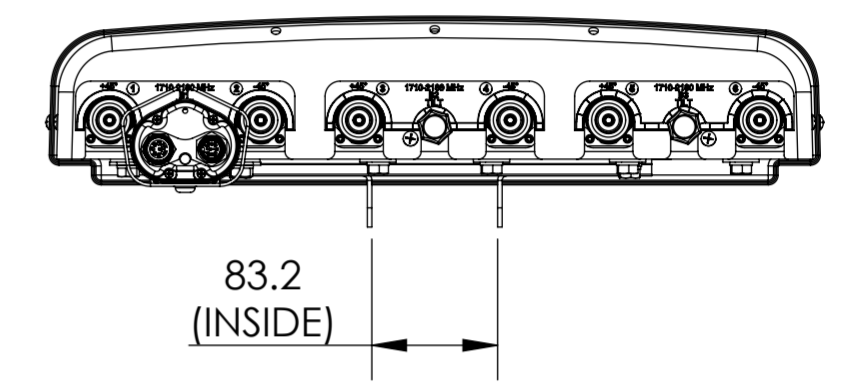
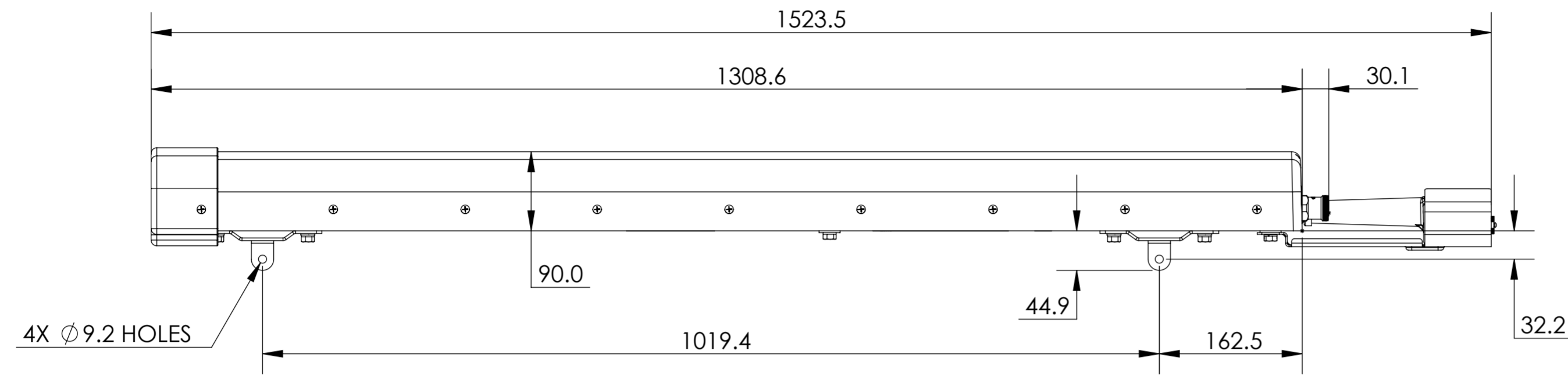
3

2

1

D

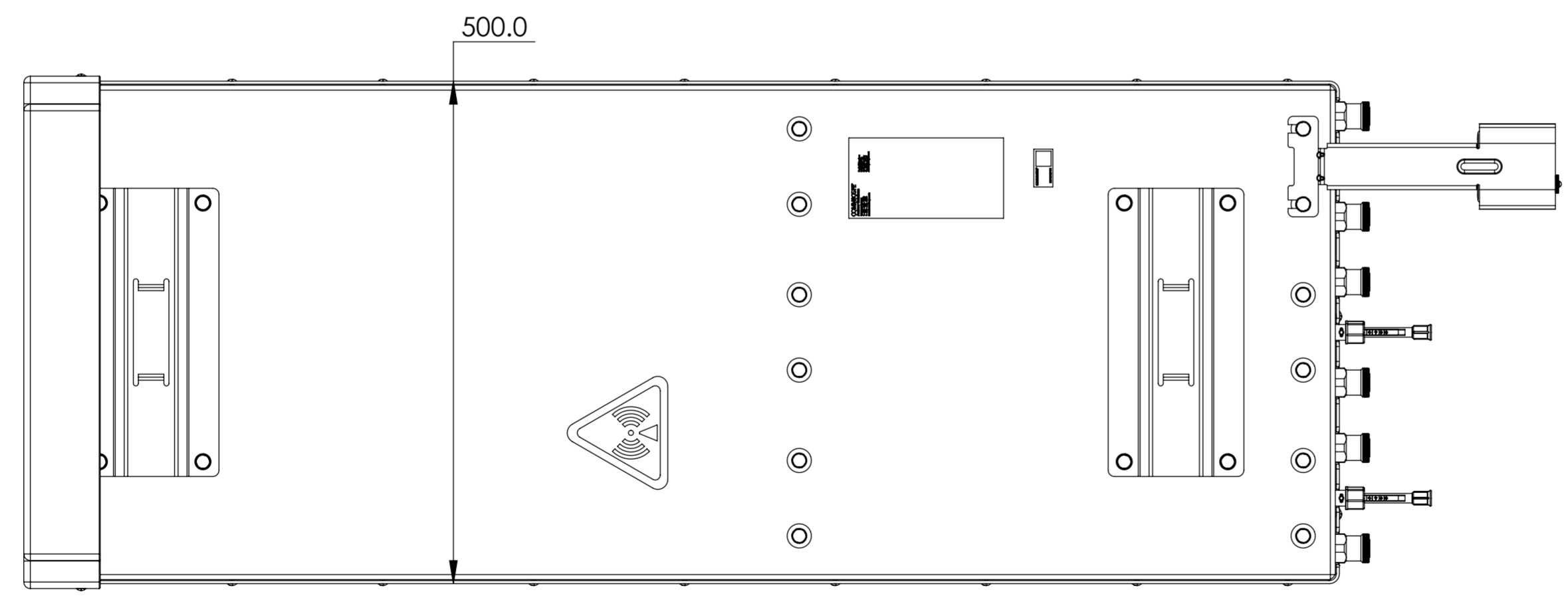
D



C

C

THIRD ANGLE PROJECTION



HBXXX-6516DS-E1M

B

B

A

A

4

3

2

1

THIRD ANGLE PROJECTION

4

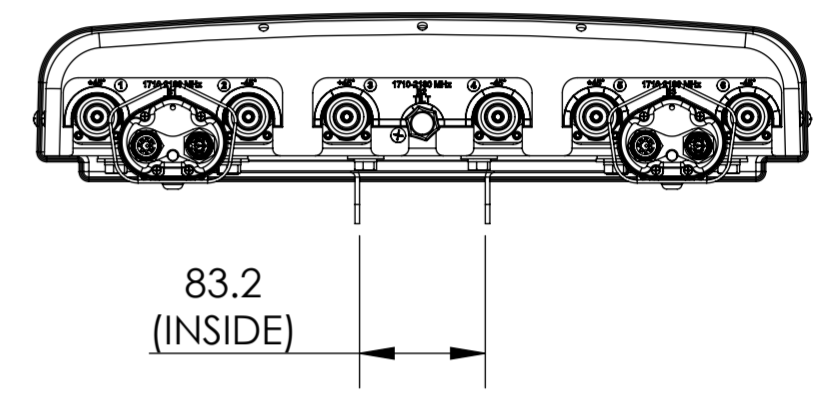
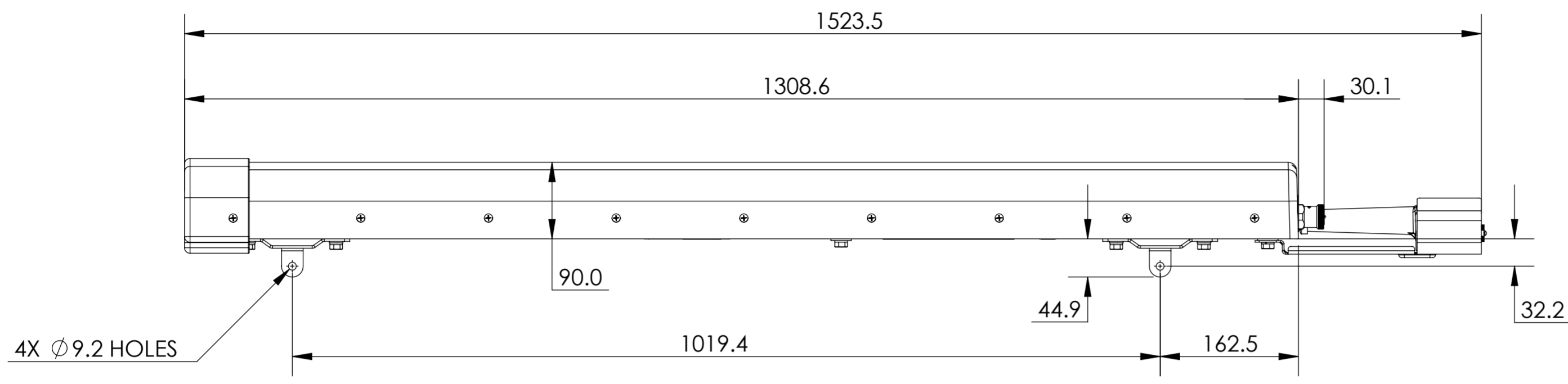
3

2

1

D

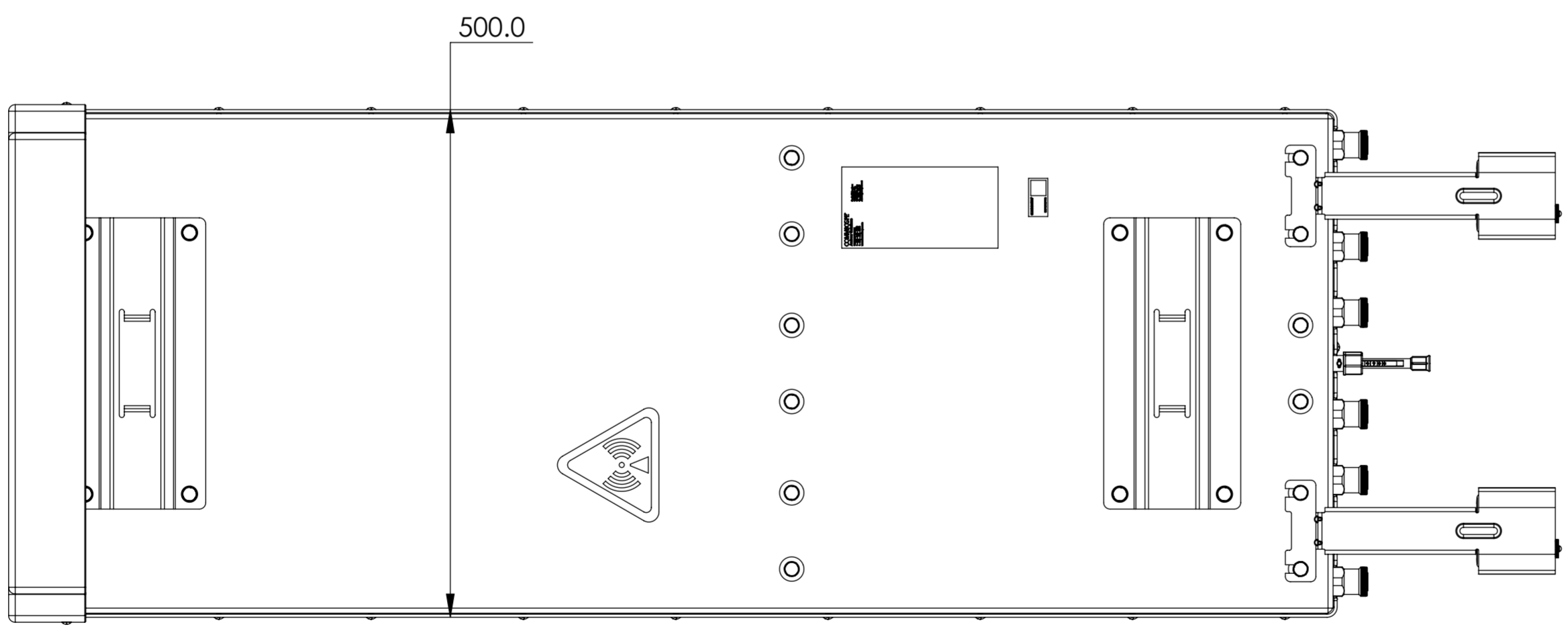
D



C

C

THIRD ANGLE PROJECTION



HBXXX-6516DS-A2M

B

B

A

A

4

3

2

1

THIRD ANGLE PROJECTION

4

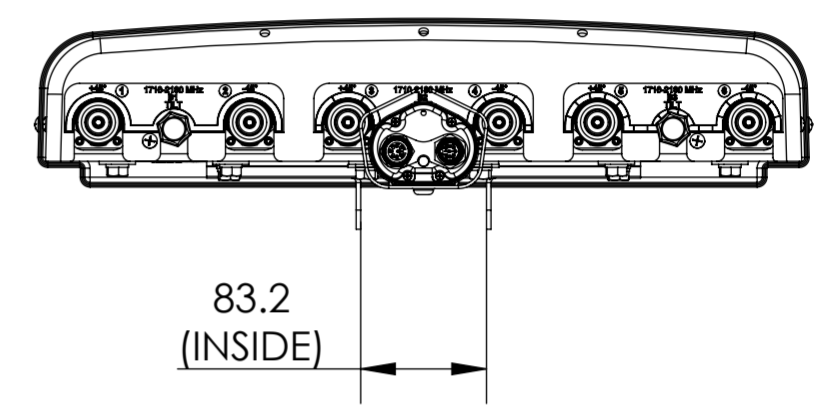
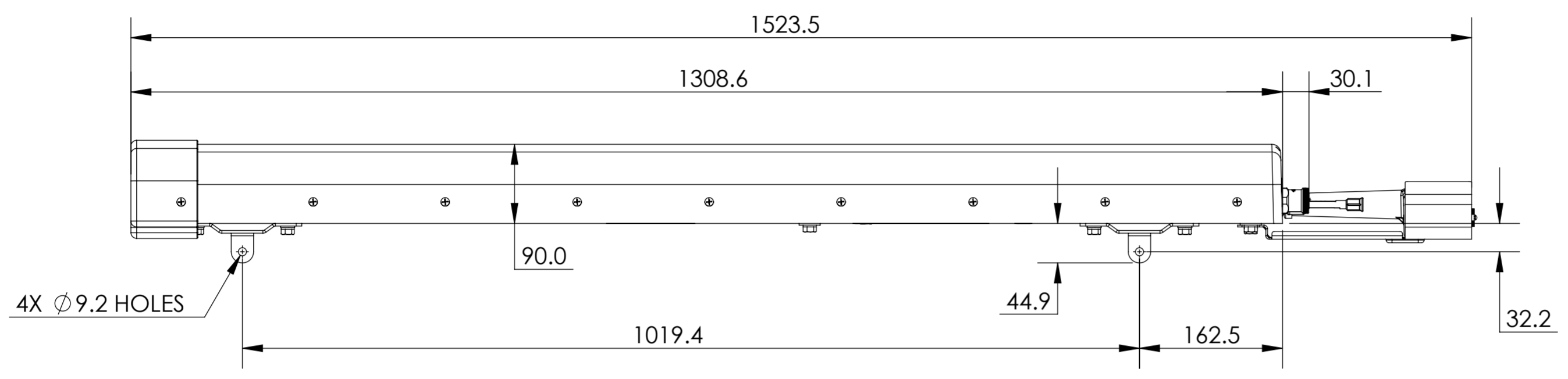
3

2

1

D

D

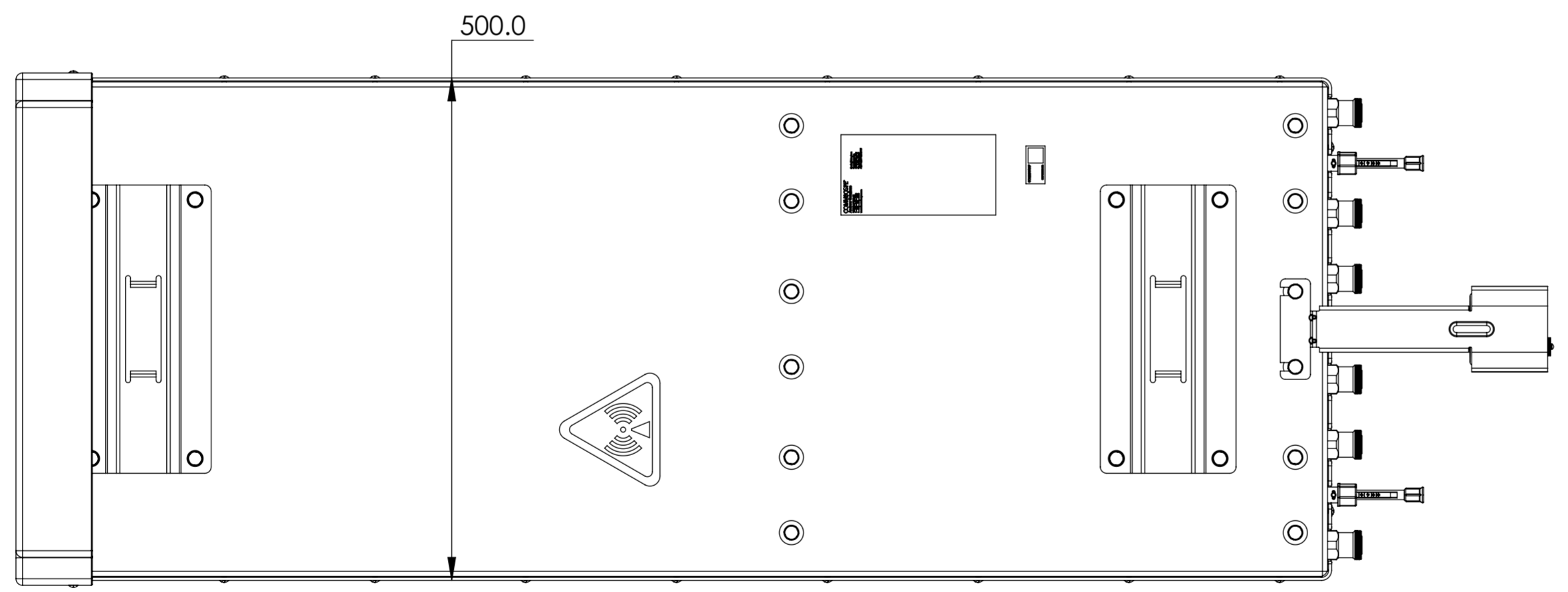


C

C

THIRD ANGLE PROJECTION

THIRD ANGLE PROJECTION



HBXXX-6516DS-A1M

B

B

A

A

4

3

2

1

THIRD ANGLE PROJECTION