

8

7

6

5

4

3

2

1

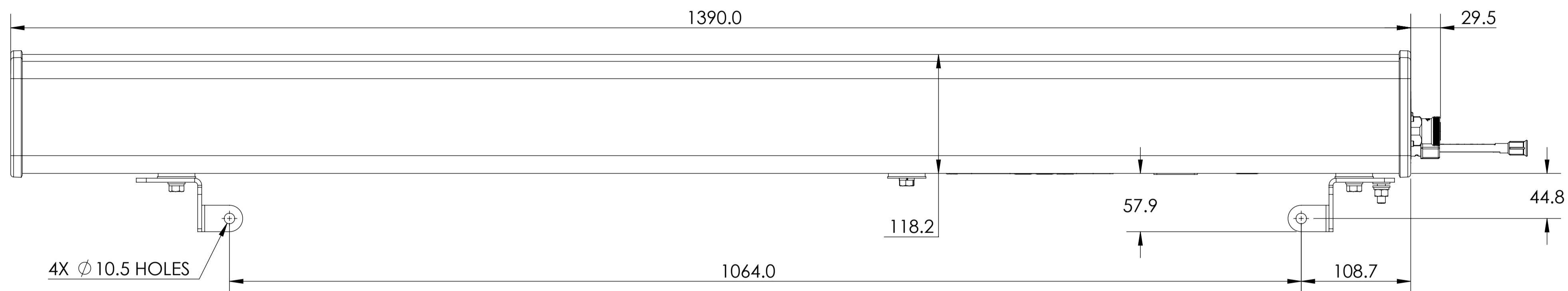
NOTES:

REVISION

D

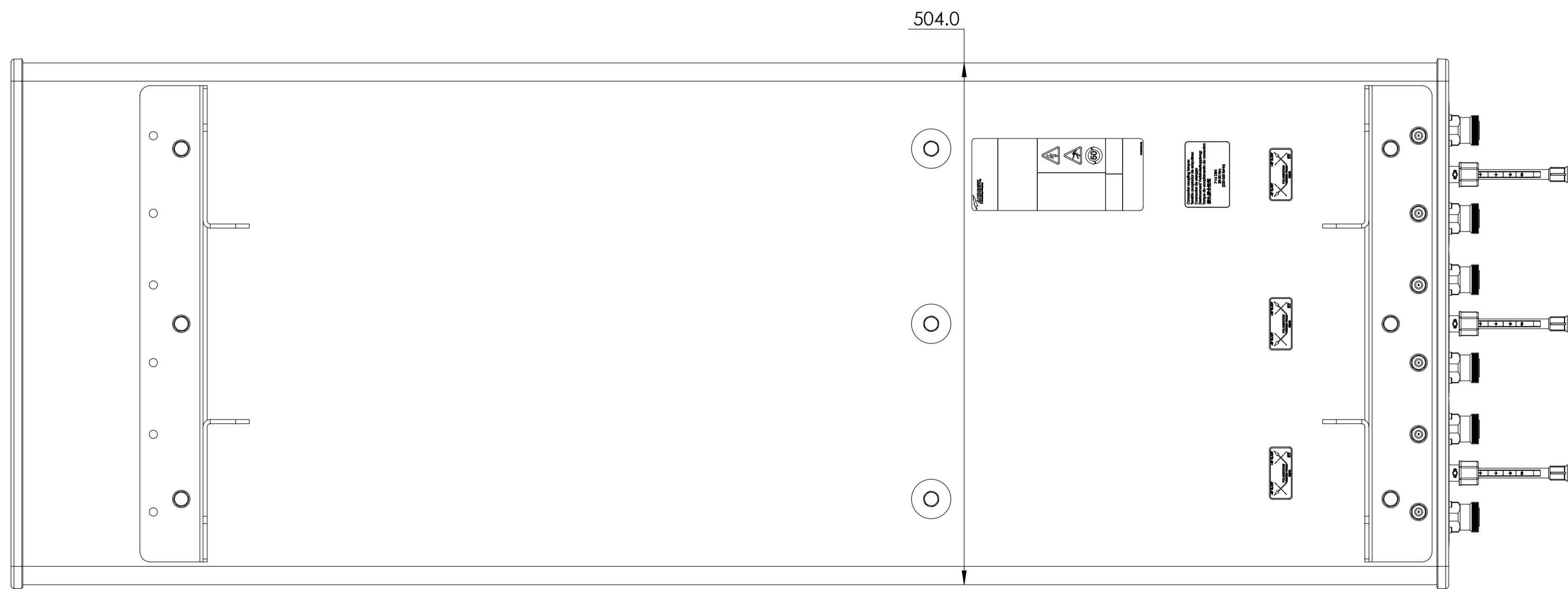
D

D

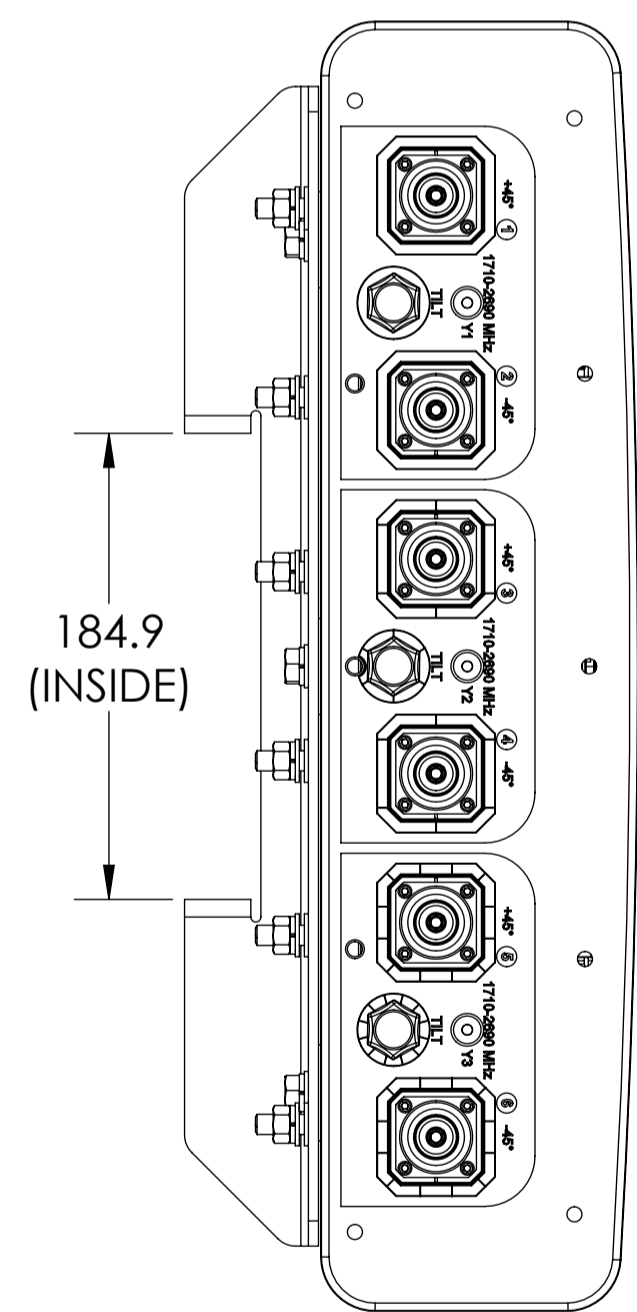


C

THIRD ANGLE PROJECTION



B



A

HWXXX-6516DS-VTM

8

7

6

THIRD ANGLE PROJECTION

3

2

1

8

7

6

5

4

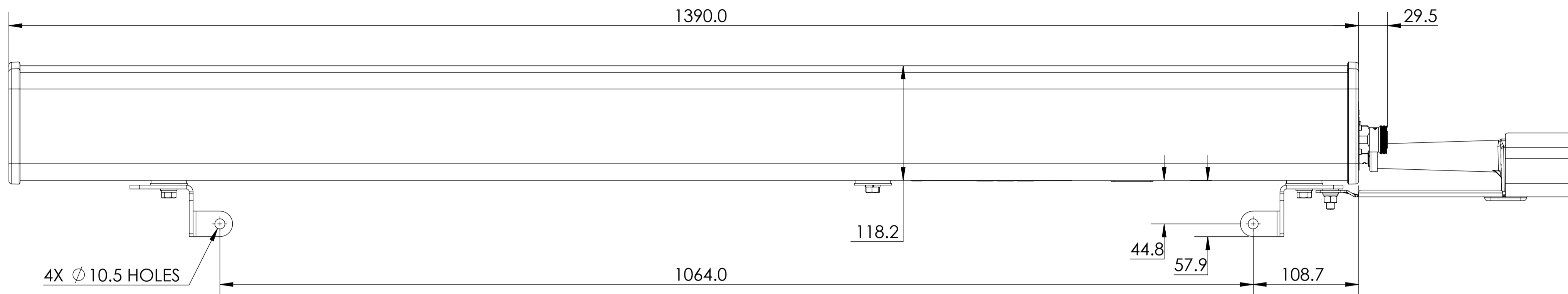
3

2

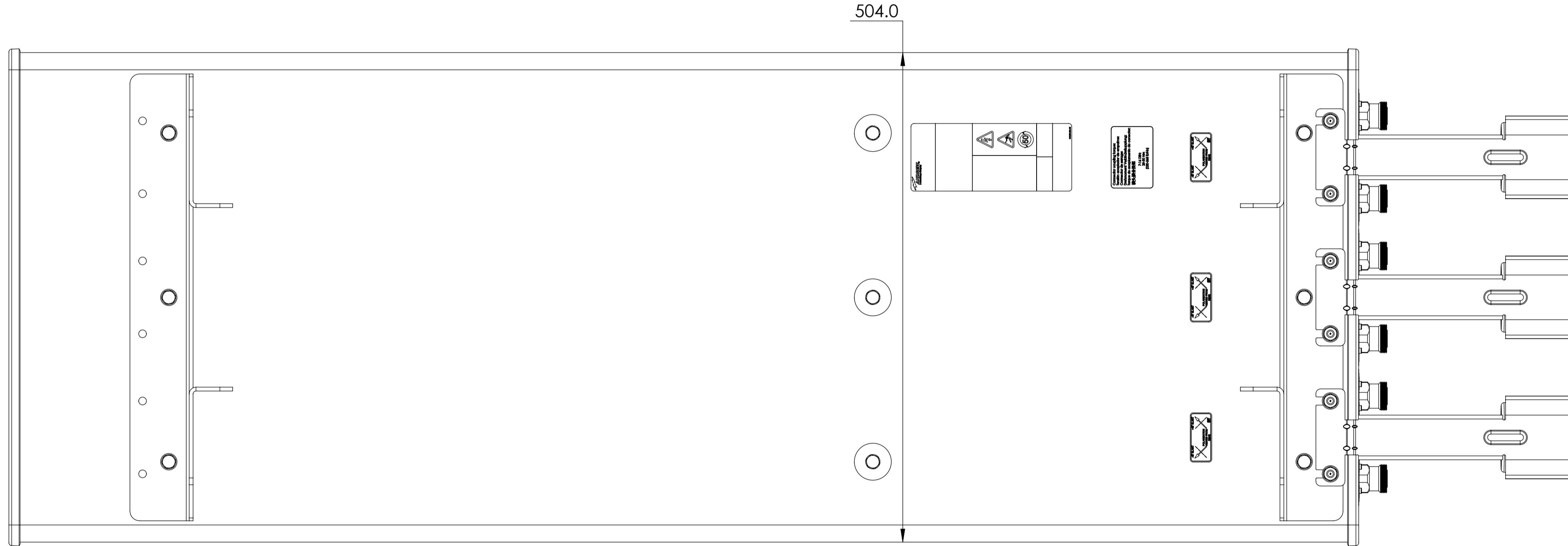
1

D

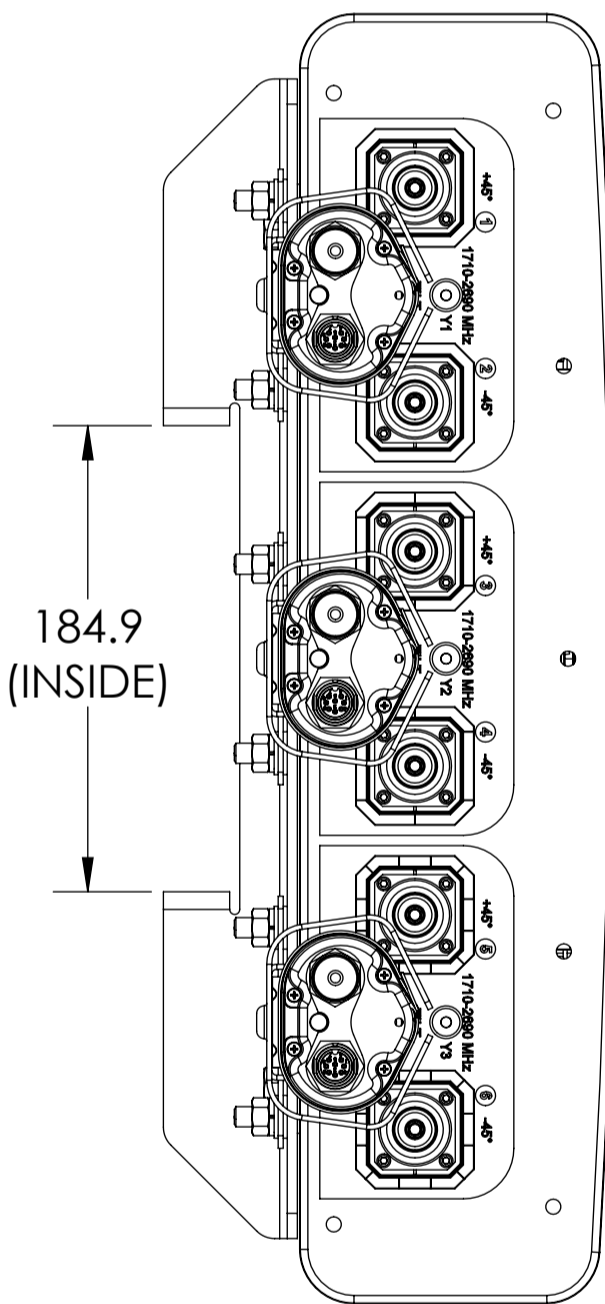
D



C



B



A

HWXXX-6516DS-A3M

THIRD ANGLE PROJECTION

THIRD ANGLE PROJECTION

8

7

6

3

2

1

8

7

6

5

4

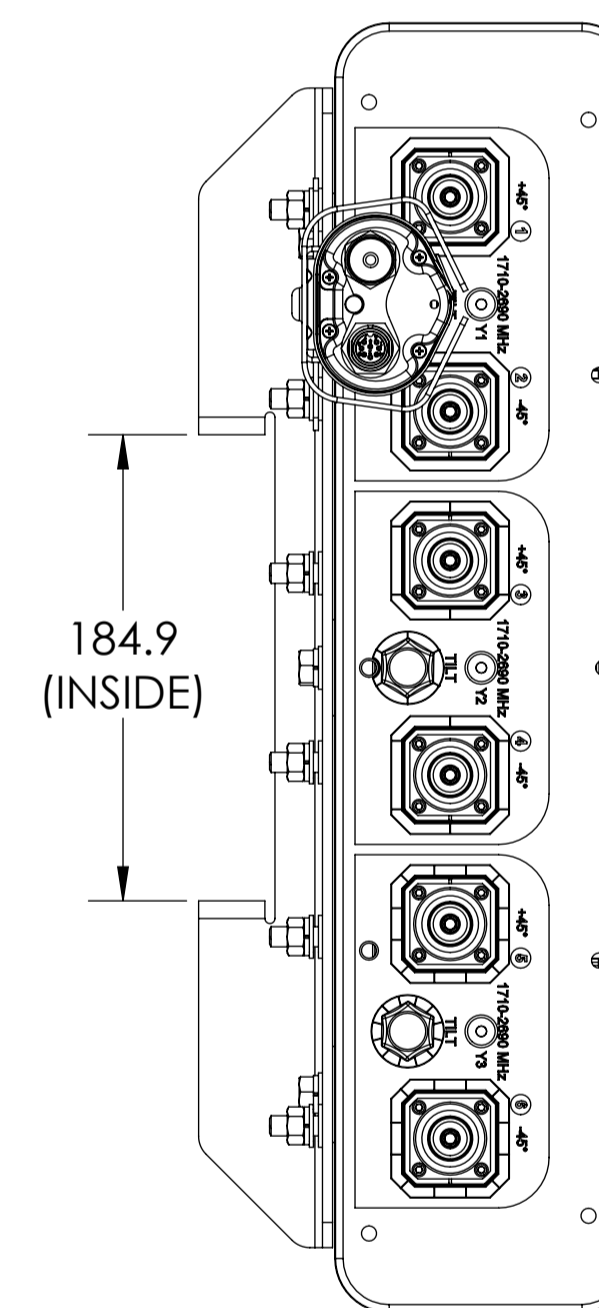
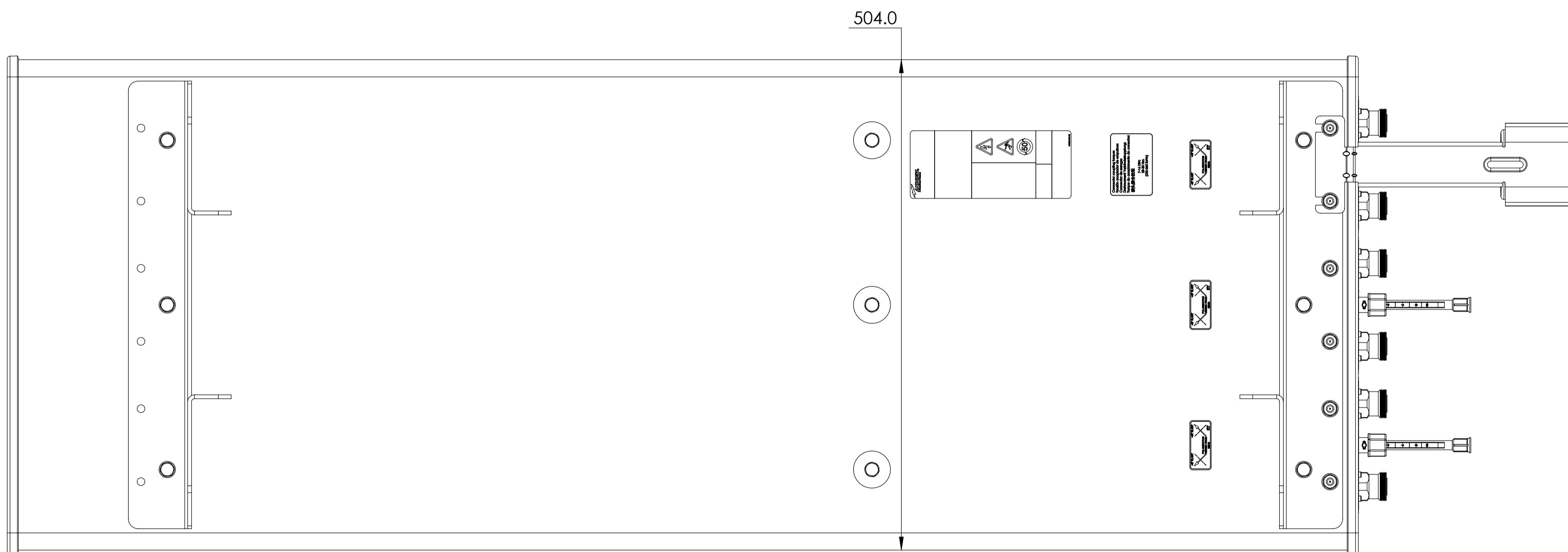
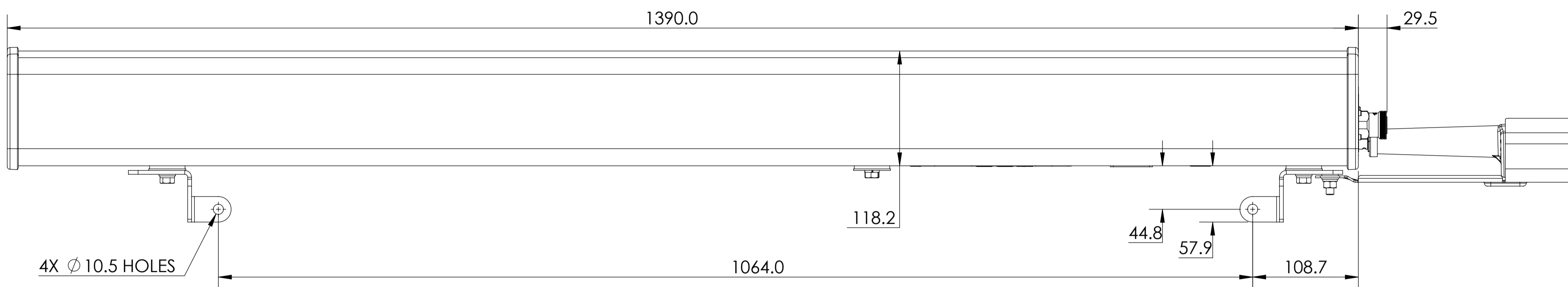
3

2

1

D

D



HWXXX-6516DS-A1M

THIRD ANGLE PROJECTION

A

A

C

B

8

7

6

THIRD ANGLE PROJECTION

3

2

1

8

7

6

5

4

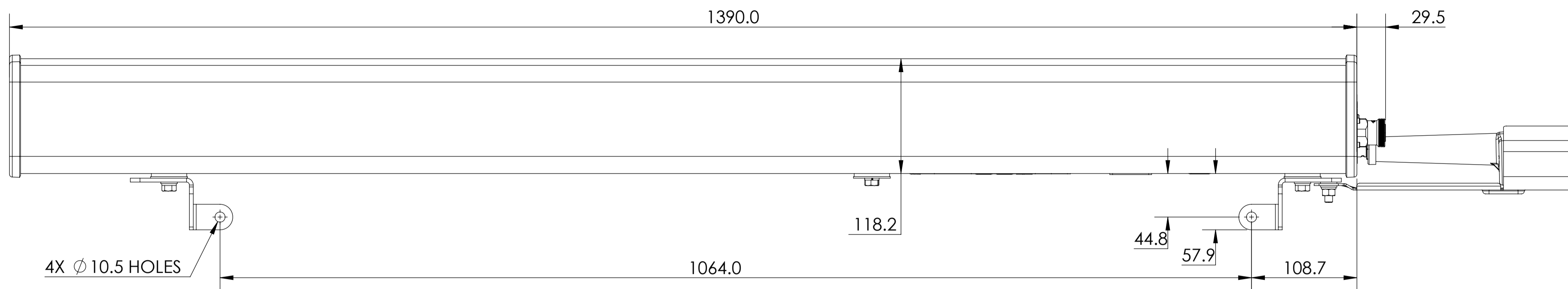
3

2

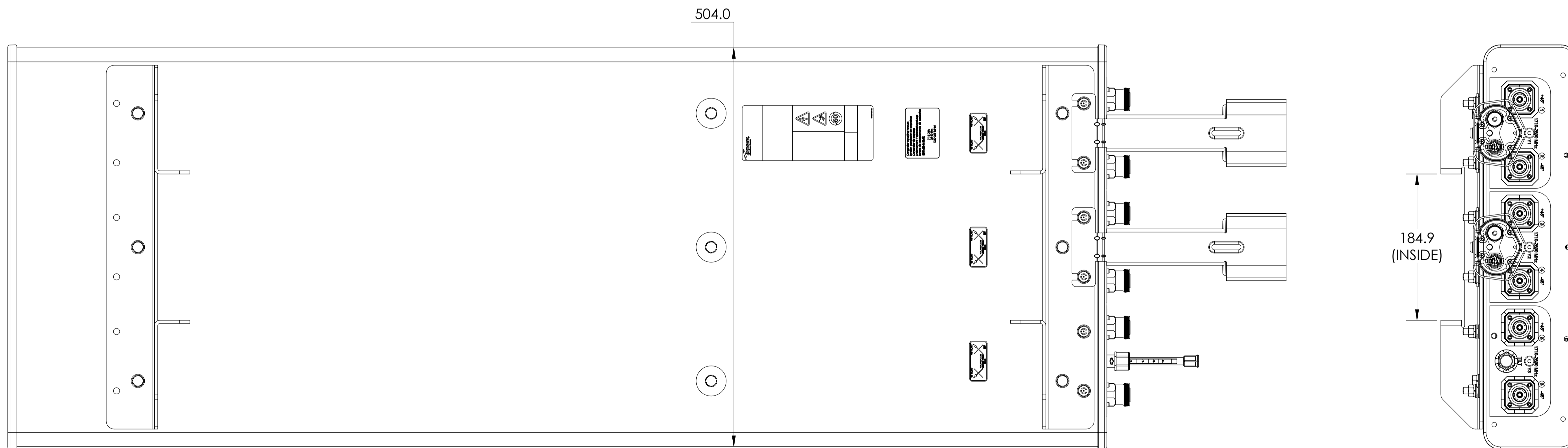
1

D

D



C



B

HWXXX-6516DS-A2M

A

A

8

7

6

THIRD ANGLE PROJECTION

3

2

1