

4

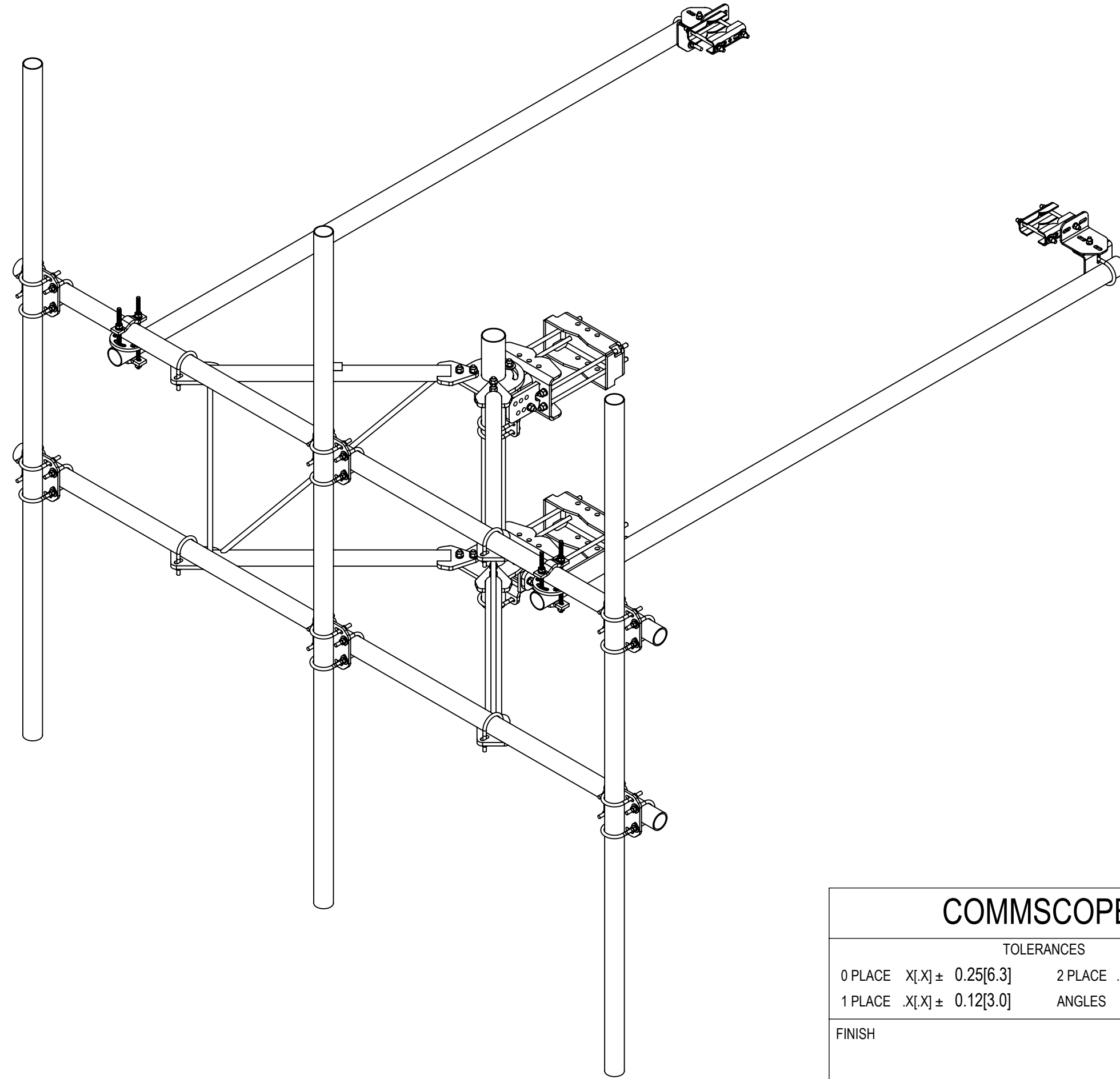
3

2

1

- 1.0 GENERAL NOTES
 - 1.1 ALL METRIC DIMENSIONS ARE IN BRACKETS [X.XX]
 - 1.2 FOR PATENT INFO: <https://www.cs-pat.com>
- 2.0 DESIGN NOTES
 - 2.1 ANY HAZARDS OR OBSTRUCTIONS TO THE CLIMBING FACILITY AND SAFETY CLIMB MUST BE IDENTIFIED PRIOR TO INSTALLING THE APPURTENANCE. ADDITIONAL PRODUCTS MAY BE REQUIRED TO MAINTAIN THE INTEGRITY OF THE SAFETY CLIMB. DURING INSTALLATION, TEMPORARY AND/OR PERMANENT PRECAUTIONARY MEASURES SHOULD BE TAKEN TO PRESERVE THE CLIMBING FACILITY AND/OR SAFETY CLIMB.
 - 2.2 UP TO 5.0° TAPER AVAILABLE ON MODELS THAT SUPPORT ADJUSTMENT.
 - 2.3 FACE WIDTH MUST BE GREATER THAN OR EQUAL TO 17.1" TO MEET THE APEX DISTANCE OF ANTENNA TO ANTENNA >24"
- 3.0 MANUFACTURING/SPECIAL REQUIREMENTS
 - 3.1 TIGHTEN ALL BOLTS SECURING FLAT PLATES BY THE TURN-OF-NUT METHOD. TIGHTEN ALL U-BOLTS USING TURN-OF-NUT METHOD WITH ATTENTION TO LEAVE EQUAL DISTANCE AND EQUAL FORCE ON EACH LEG OF THE U-BOLT.
- 4.0 TEST
- 5.0 PACKAGING
 - 5.1 PACKAGING SHALL MEET COMMSCOPE REQUIREMENTS PER DOCUMENT IS-PL-3005.
 - 5.2 PRINTED DOCUMENT TO BE PLACED INSIDE POLYBAG AND THEN IN SHIPPING CONTAINER.
 - 5.3 EXTRA HARDWARE MAY BE SUPPLIED, BAGGED AND SHIPPED.

REVISIONS			
REV.	DESCRIPTION	DATE	APPROVED
A	INITIAL RELEASE	JL1183 24MAY24	CB1094 40196505CMO



COMMSCOPE, INC. OF NORTH CAROLINA										
TOLERANCES					SAP MATERIAL MASTER					
0 PLACE .X[X] ± 0.25[6.3]		2 PLACE .XX[X] ± 0.06[1.5]			SFG22HDX-11-3-120					
1 PLACE .X[X] ± 0.12[3.0]		ANGLES ± 2°								
FINISH					MATERIAL					
UNLESS OTHERWISE SPECIFIED DIMENSIONS ARE IN INCHES INTERPRET PER ANSI Y 14.5M-1994	NAME		DATE		PG,SF,11'FP,(3)120"AP					
	CE	JL1183	24MAY24							
	RW	JL1183	06/17/2024							
	AD	CB1094	06/18/2024							
	RE	JL1183	06/19/2024							
ECN 40196505CMO					SCALE		DOCUMENT NO.			
					1:16		SFG22HDX-11-3-120			
SIZE		Auth Group		INSL		MODEL			DRAWING	
C						VERSION			STATUS	
						00			RE	
						A			00	
						RE			A	
SHEET										
1 OF 6										

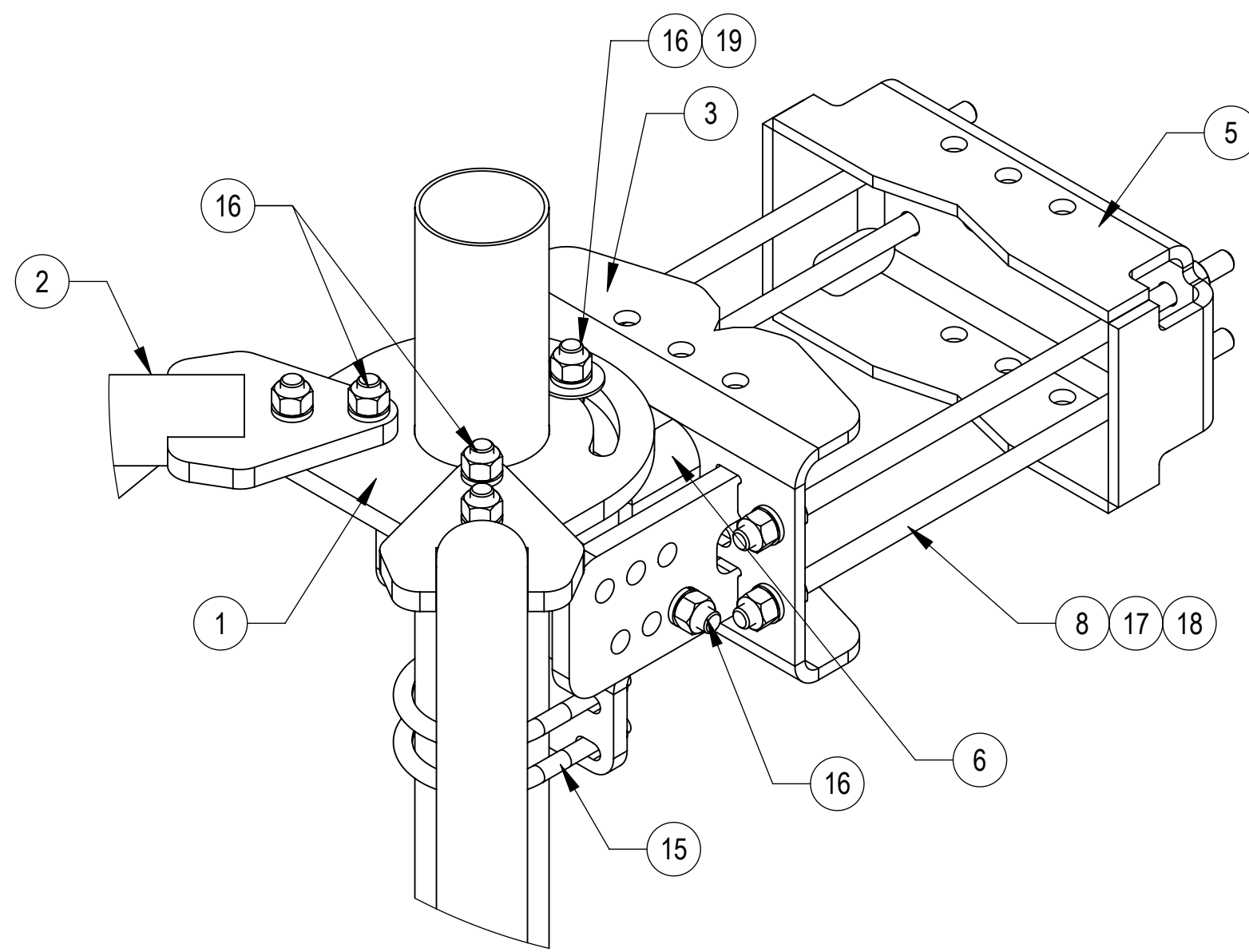
DENSITY		lbs/in ³
MASS	627.36	lbs
VOLUME	2219.91	in ³
SURFACE AREA	24514.78	in ²
HEIGHT	120"	
LENGTH	132"	
WIDTH	120"	

4

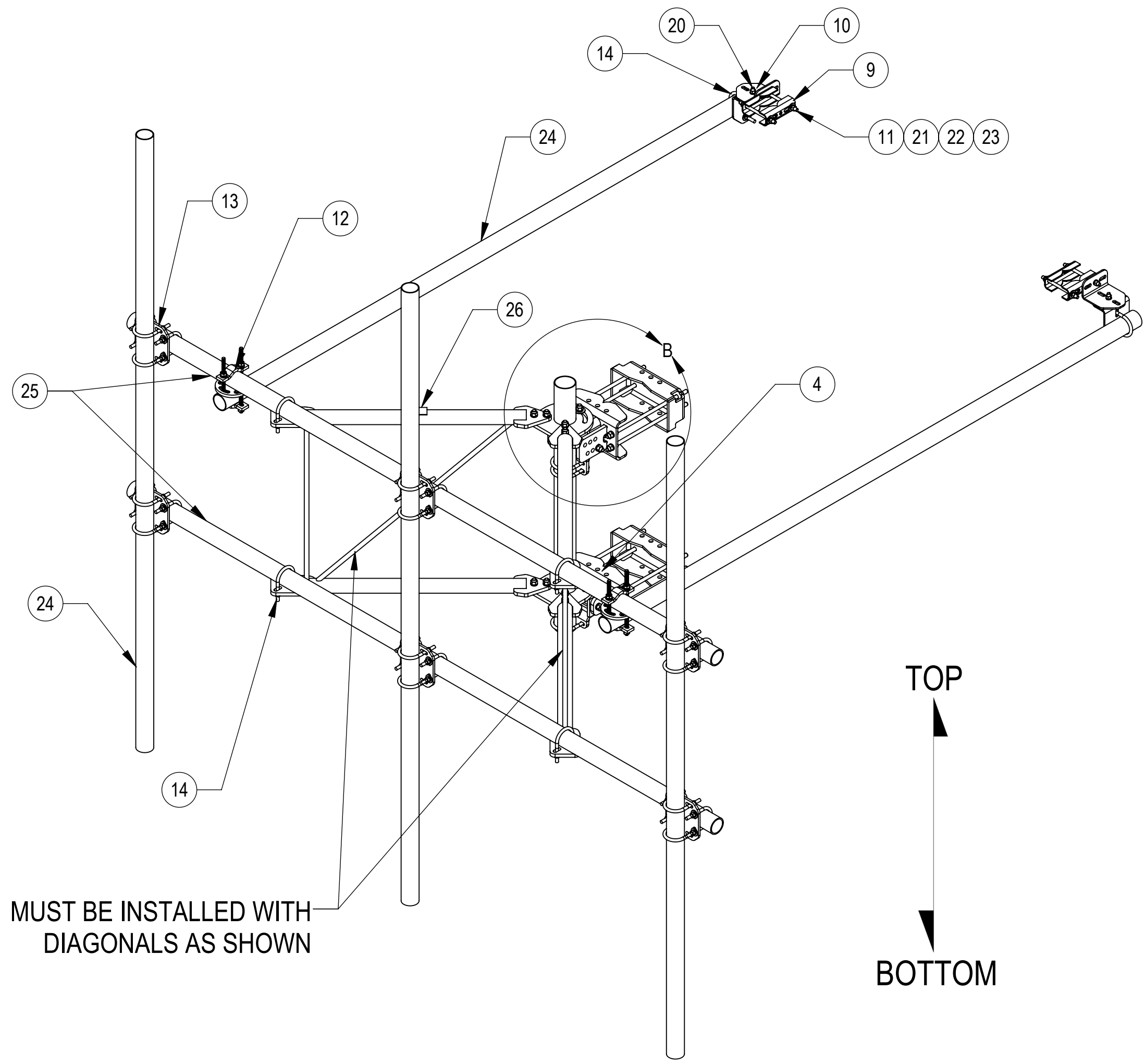
3

2

1



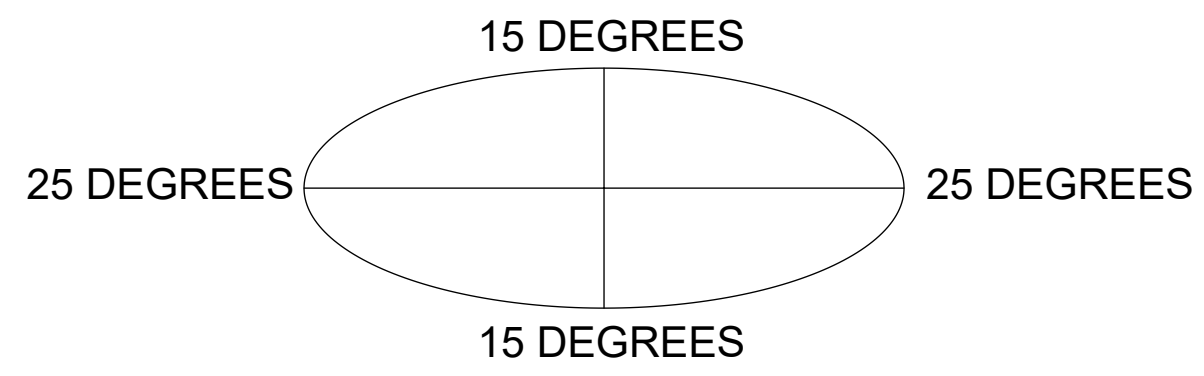
DETAIL B
SCALE 1 : 4



MUST BE INSTALLED WITH
DIAGONALS AS SHOWN

ALLOWABLE TIEBACK ANGLE

± 15 DEGREES VERTICAL
± 25 DEGREES HORIZONTAL



COMPONENT PART NUMBERS PROVIDED FOR ASSEMBLY PURPOSES;
INDIVIDUAL COMPONENTS MAY BE SHIPPED AS PARTS WITHIN AN INCLUDED KIT.

ITEM	PART NO.	DESCRIPTION	QTY.	WEIGHT	NOTE NO.
1	SFG2270	BACK VERTICAL ARM MOUNT	1	36.96 LBS	
2	SFG2278	ARM, STANDOFF - SFG22	2	40.92 LBS	
3	SFG2380	WELDMNT, HD, TOP TAPER BRACKET	1	22.78 LBS	
4	SFG2381	WELDMNT, HD, LOWER TOWER LEG BRACKET	1	17.42 LBS	
5	SFG2289	G2 RRU BACK CLAMP, HD	2	18.65 LBS	
6	SFG2386	WELDMNT, SFG2 AZIMUTH BRACKET	1	10.07 LBS	
7	SFG2397-00	WELDMNT, G23 AZIMUTH BRACKET	1	7.94 LBS	
8	MT-382-18	5/8" X 18" THREADED ROD	8	1.43 LBS	
9	SAB01	FORMED CLAMP	4	1.35 LBS	
10	XAU01	ANGLE, CROSSOVER, 1.9-3.5" X 1.9-3.5" OD	4	2.98 LBS	
11	MT-379-8	1/2" X 8" GALV THREADED ROD	4	0.45 LBS	
12	XP-R	CROSSOVER PLATE, ROUND, UP TO 3.5" OD	2	6.20 LBS	
13	XP-2525	CROSSOVER PLATE KIT, 2-7/8 OD X 2-7/8 OD	6	8.37 LBS	
14	GUB-4352	1/2" X 3" X 5-1/4" GALV U-BOLT	6	0.71 LBS	
15	GUB-4355	1/2" X 3-5/8" X 5" GALV U-BOLT	3	0.71 LBS	
16	GB-05225	5/8" X 2-1/4" GALV BOLT KIT	14	0.28 LBS	
17	GN-05	5/8" GALV HEX NUT	24	0.08 LBS	
18	GWL-05	5/8" GALV LOCK WASHER	16	0.03 LBS	
19	GWF-05	5/8" GALV FLAT WASHER, 1.7OD	2	0.06 LBS	
20	GB-04145	1/2" X 1-1/2" GALV BOLT KIT	2	0.13 LBS	
21	GN-04	1/2" GALV HEX NUT	10	0.04 LBS	
22	GWL-04	1/2" GALV LOCK WASHER	10	0.01 LBS	
23	GWF-04	1/2" GALV FLAT WASHER	8	0.04 LBS	
24	MT546120120	PIPE, 2.875"OD X 120"	5	35.44 LBS	
25	MT546132	2.875" O.D. X 132" PIPE	2	62.64 LBS	
26	SFG2255	LABEL, SFG22HDX	1	0.04 LBS	

COMMSCOPE, INC. OF NORTH CAROLINA				
TITLE PG,SF,11"FP,(3)120"AP				
SIZE C	SCALE 1:16	DOCUMENT NO. SFG22HDX-11-3-120		
DRAWING		VERSION	STATUS	REVISION
		00	RE	A
				SHEET 2 OF 6

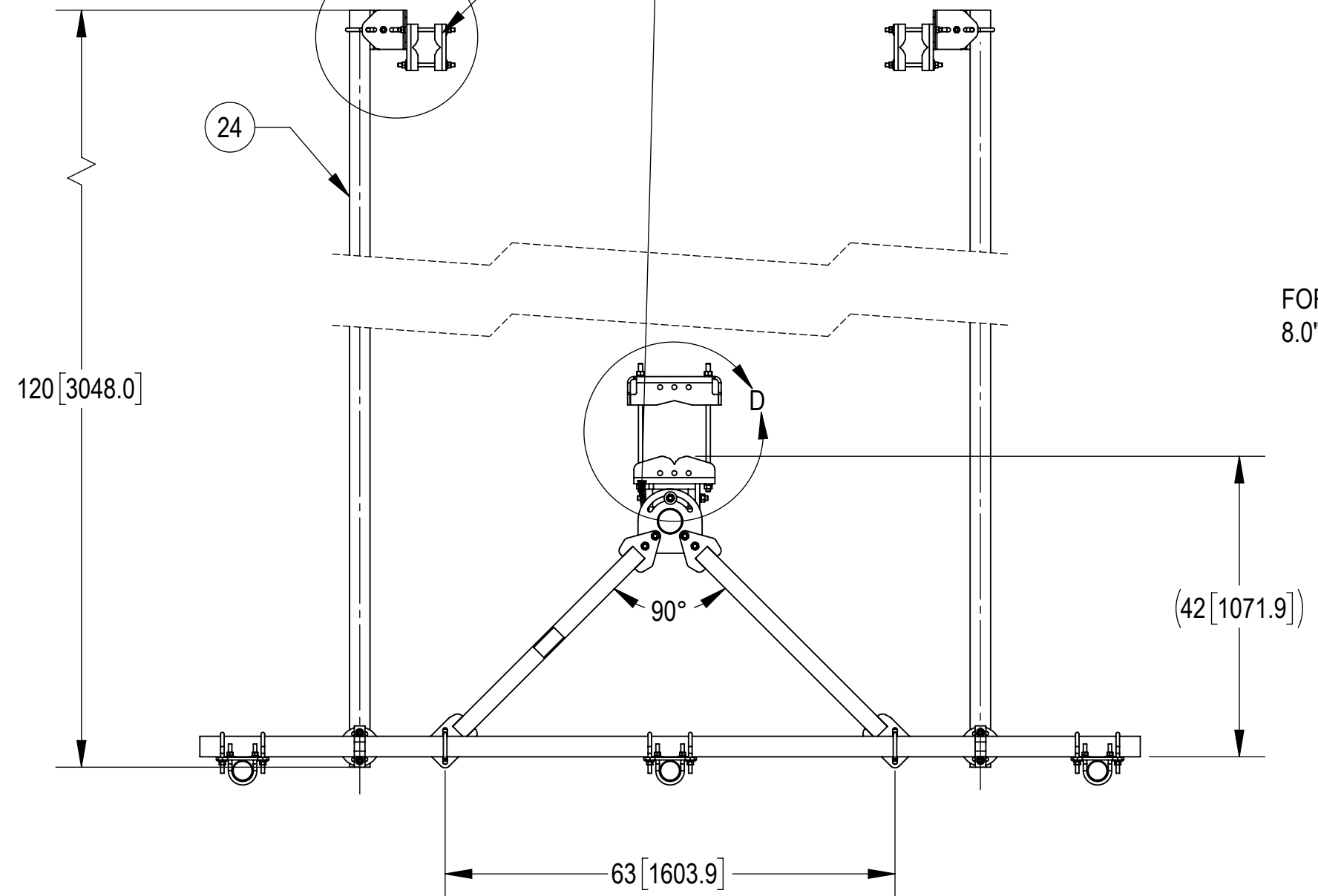
4

3

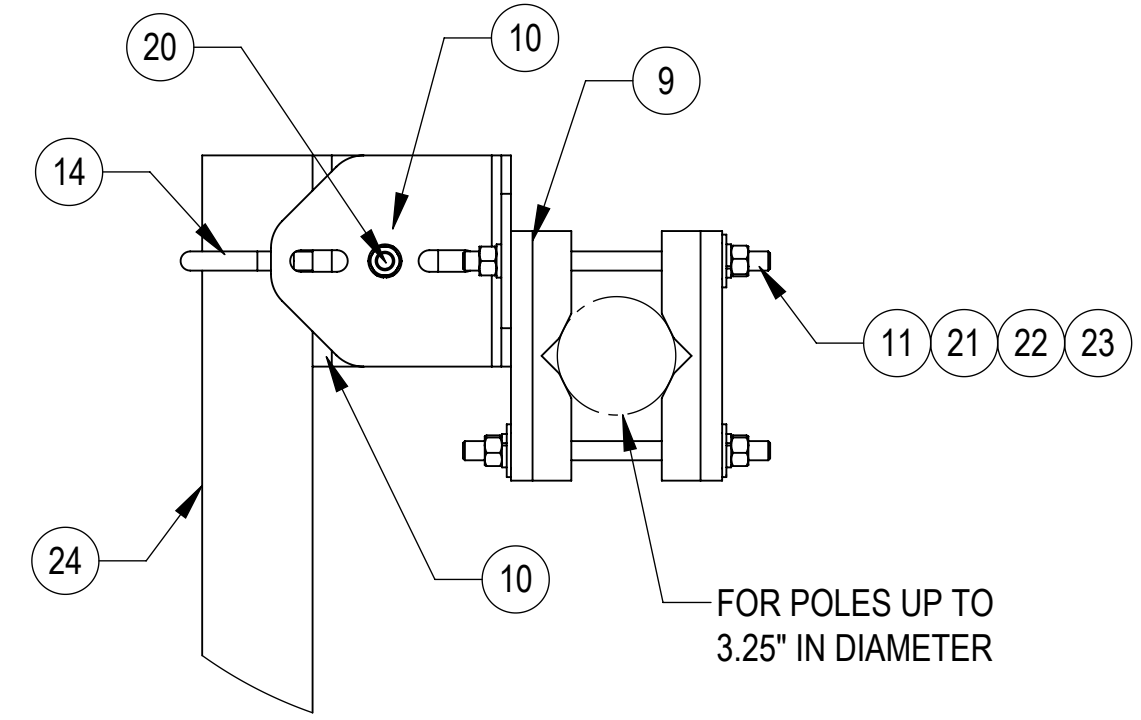
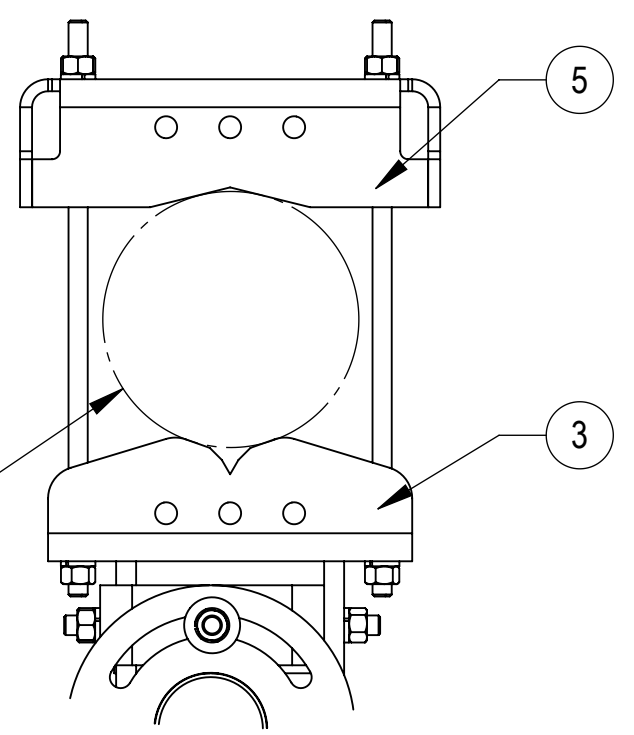
2

1

TIEBACK MUST BE CONNECTED TO A RIGID MEMBER THAT PROVIDES ADEQUATE SUPPORT WITHIN THE LIMITS NOTED IN THE TIEBACK ANGLE RANGE DETAIL. UNLESS APPROVED BY ENGINEER OF RECORD. SPINE STEM OF NEIGHBORING MOUNT IS ACCEPTABLE.

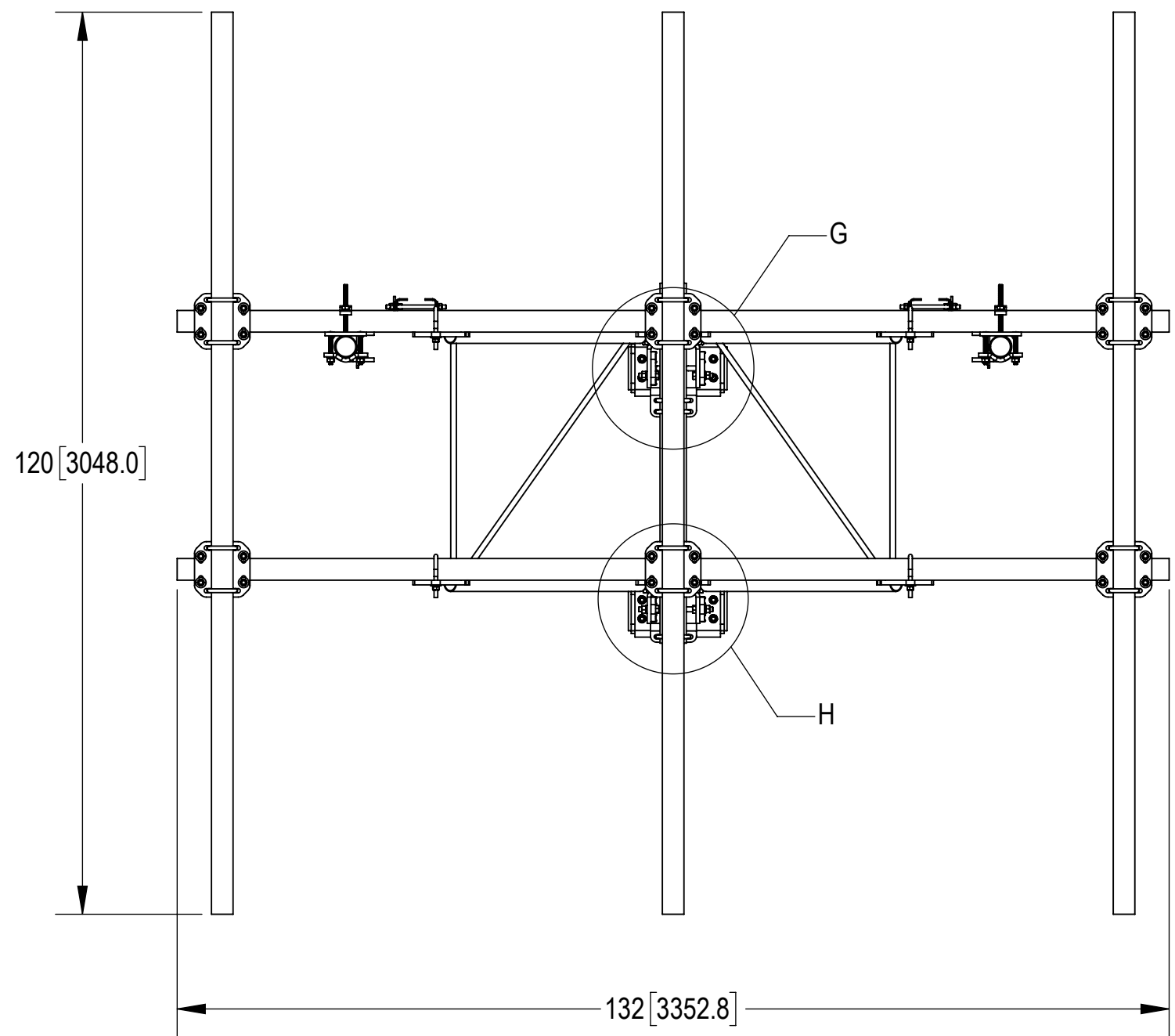
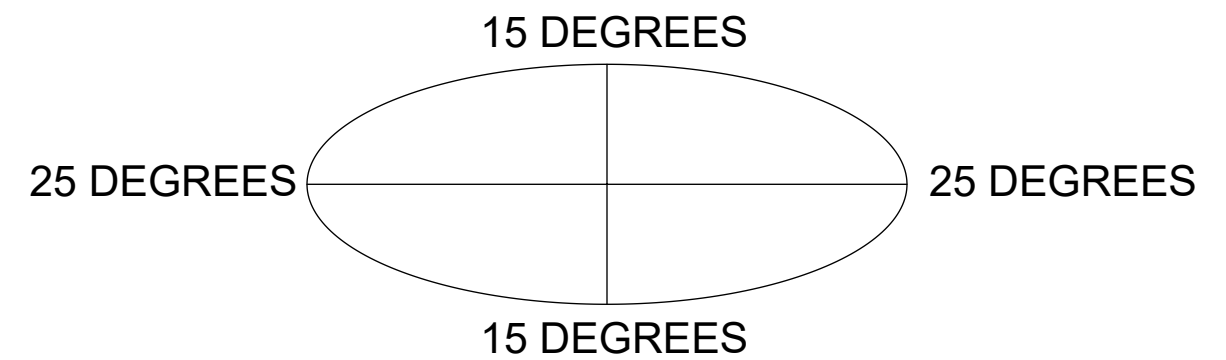


FOR POLES UP TO 8.0" IN DIAMETER

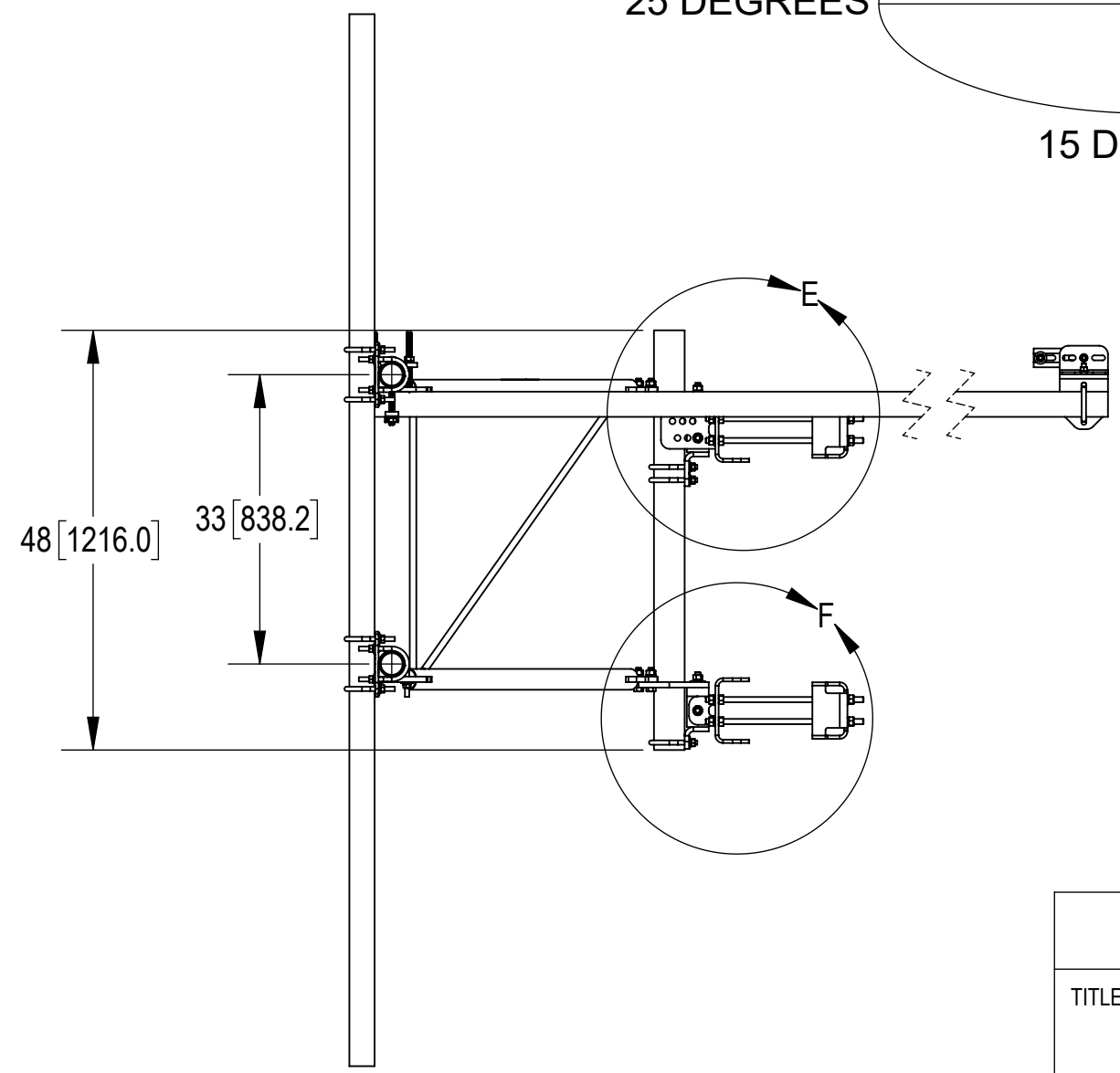


DETAIL C
SCALE 1:5

ALLOWABLE TIEBACK ANGLE
± 15 DEGREES VERTICAL
± 25 DEGREES HORIZONTAL



TOP
BOTTOM



COMMSCOPE, INC. OF NORTH CAROLINA				
TITLE PG,SF,11"FP,(3)120"AP				
SIZE C	SCALE 1:22	DOCUMENT NO. SFG22HDX-11-3-120		
		DRAWING		SHEET
		VERSION	STATUS	REVISION
		00	RE	A
				3 OF 6

4

3

2

1

4

3

2

1

D

D

C

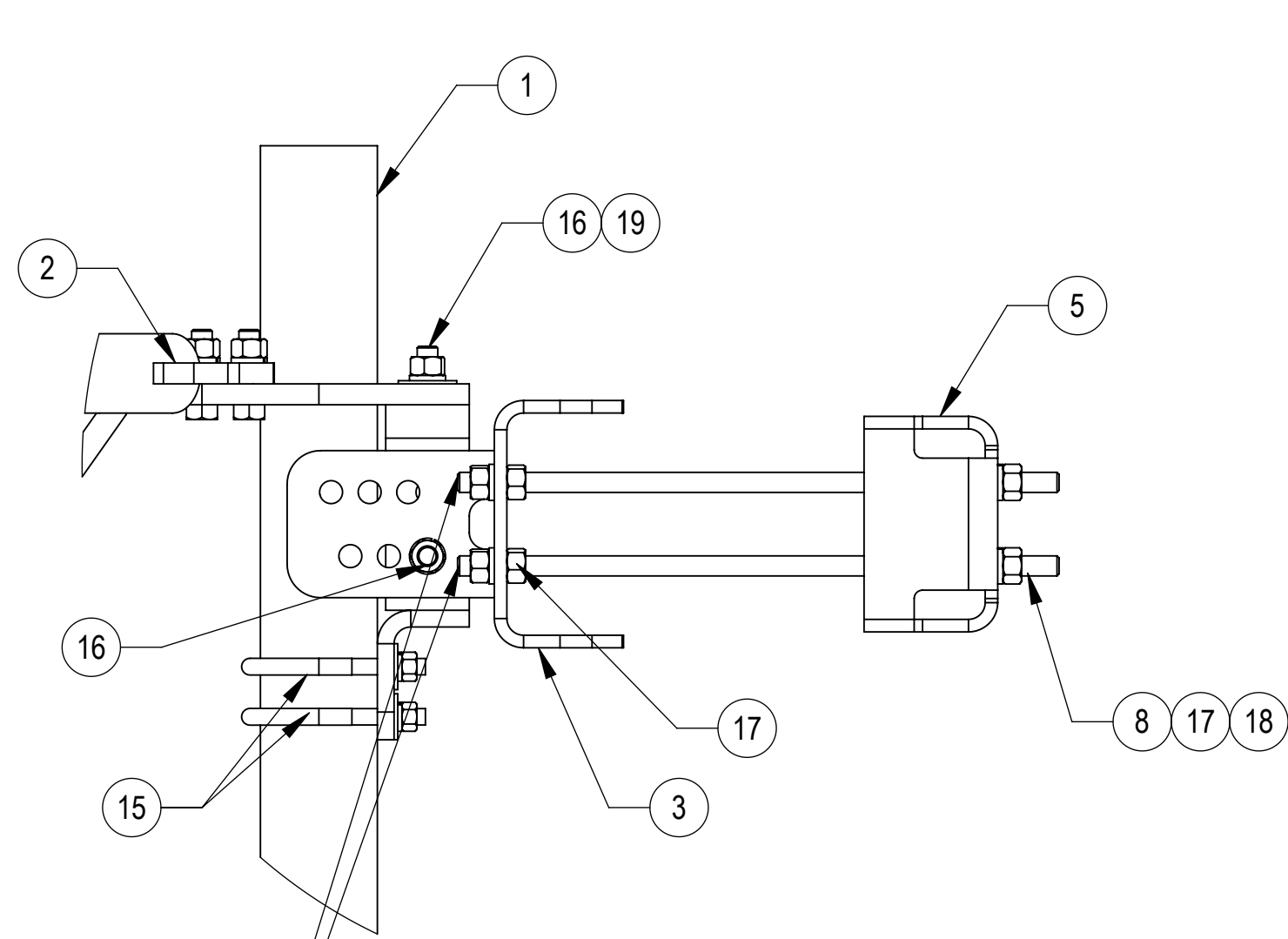
C

B

B

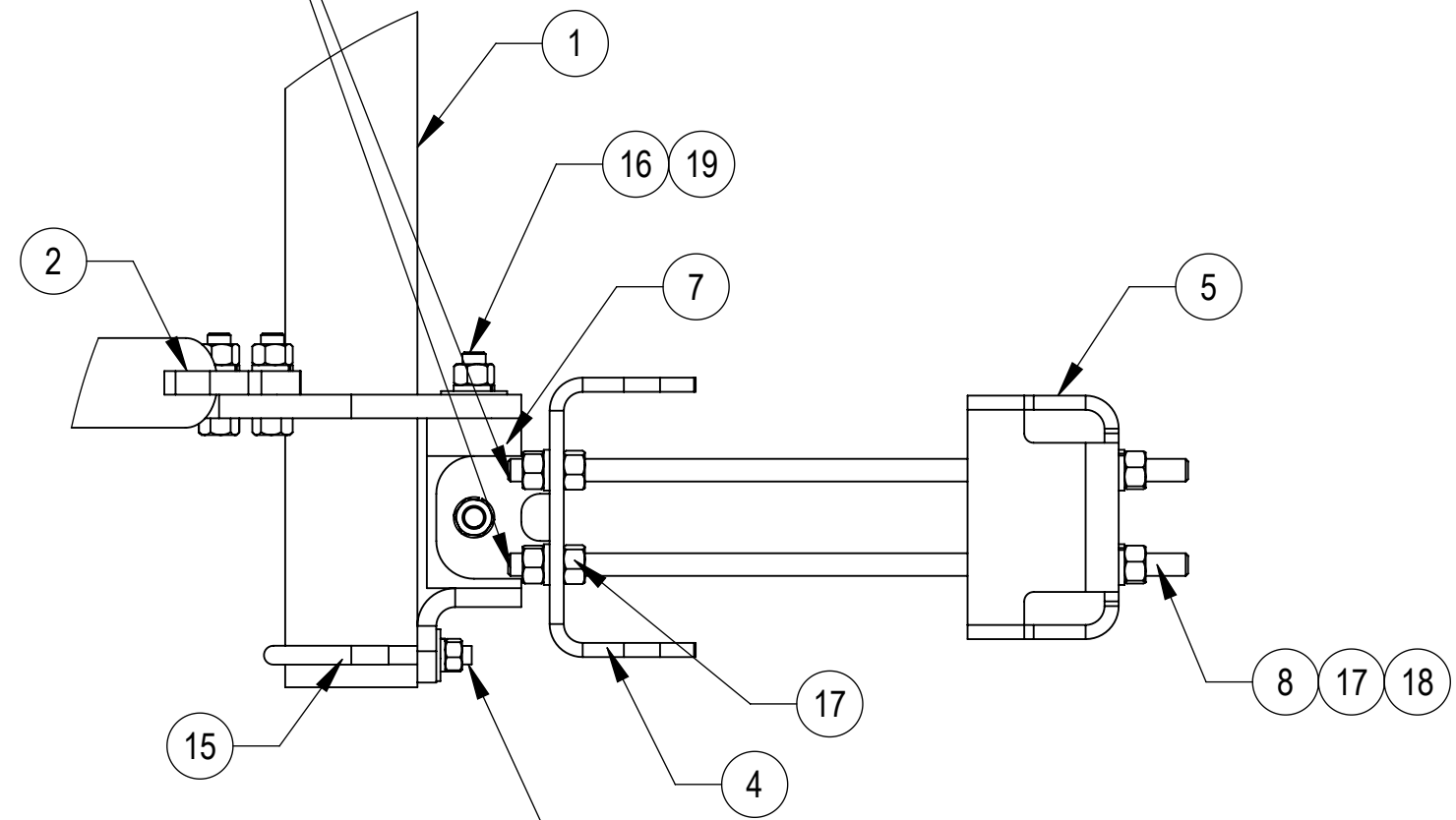
A

A



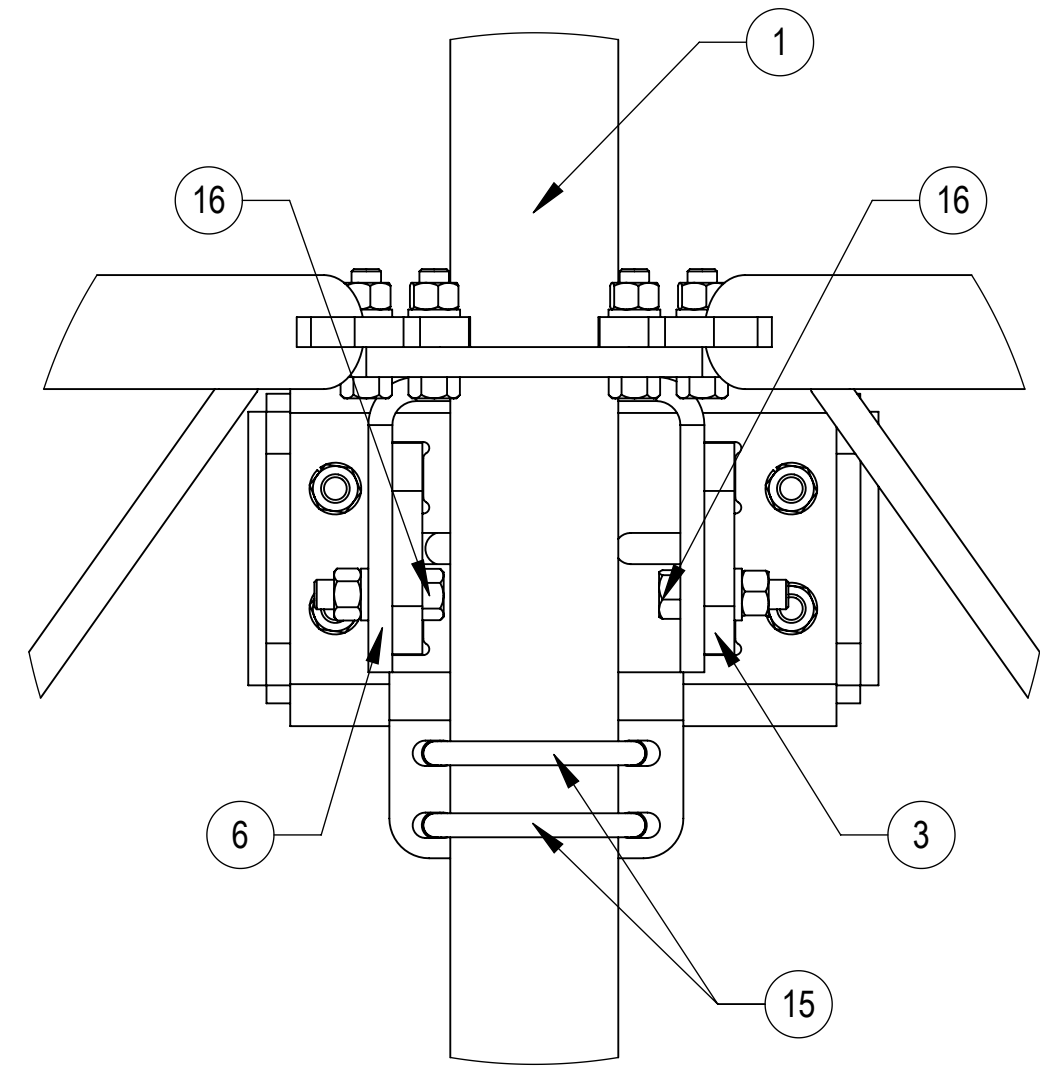
DETAIL E
SCALE 1 : 5

THE THREADED ROD CAN ONLY EXPOSE 4 TO 7 THREADS ON ONE SIDE OF THE BRACKET, WHICH IS TO PREVENT INTERFERENCE WITH THE SIDE BOLTS

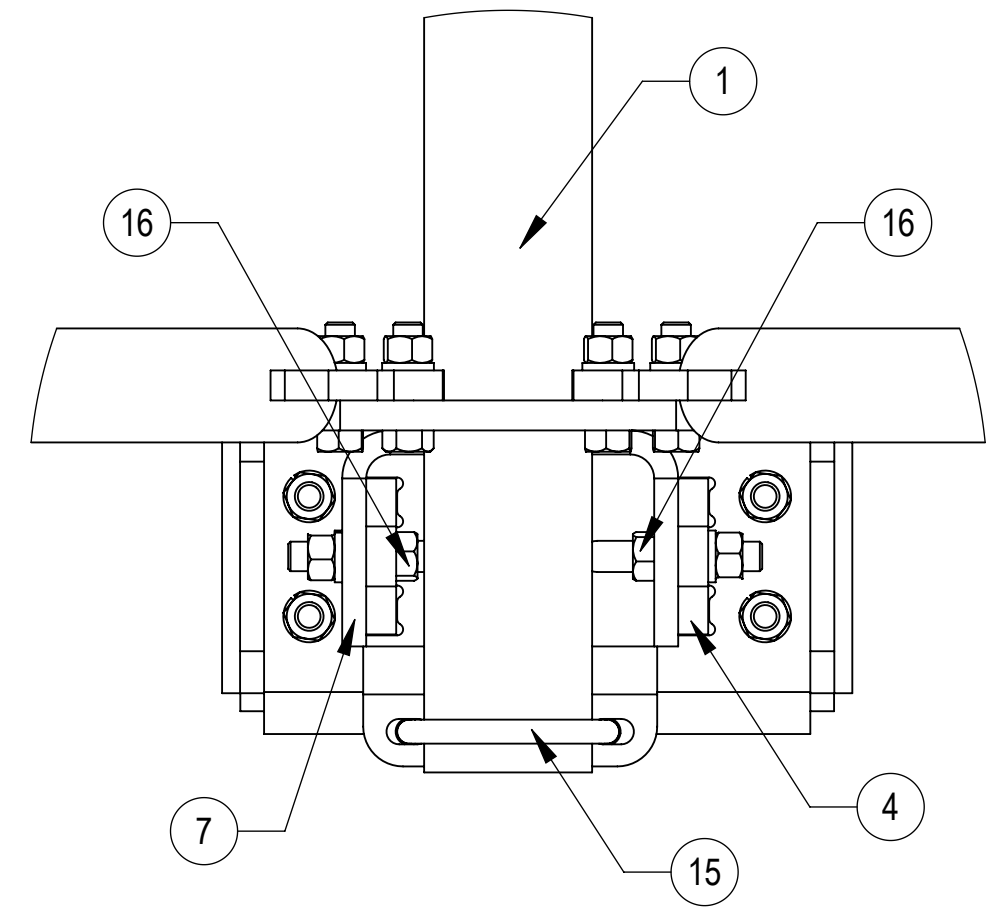


DETAIL F
SCALE 1 : 5


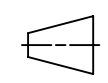
DO NOT OVER TIGHTEN, END OF POLE CAN BE DAMAGED



DETAIL G
SCALE 1 : 4



DETAIL H
SCALE 1 : 4

COMMSCOPE, INC. OF NORTH CAROLINA				
TITLE PG,SF,11'FP,(3)120"AP				
SIZE C	SCALE 1:20	DOCUMENT NO. SFG22HDX-11-3-120		
DRAWING		VERSION	STATUS	REVISION
 		00	RE	A
				SHEET 4 OF 6

4

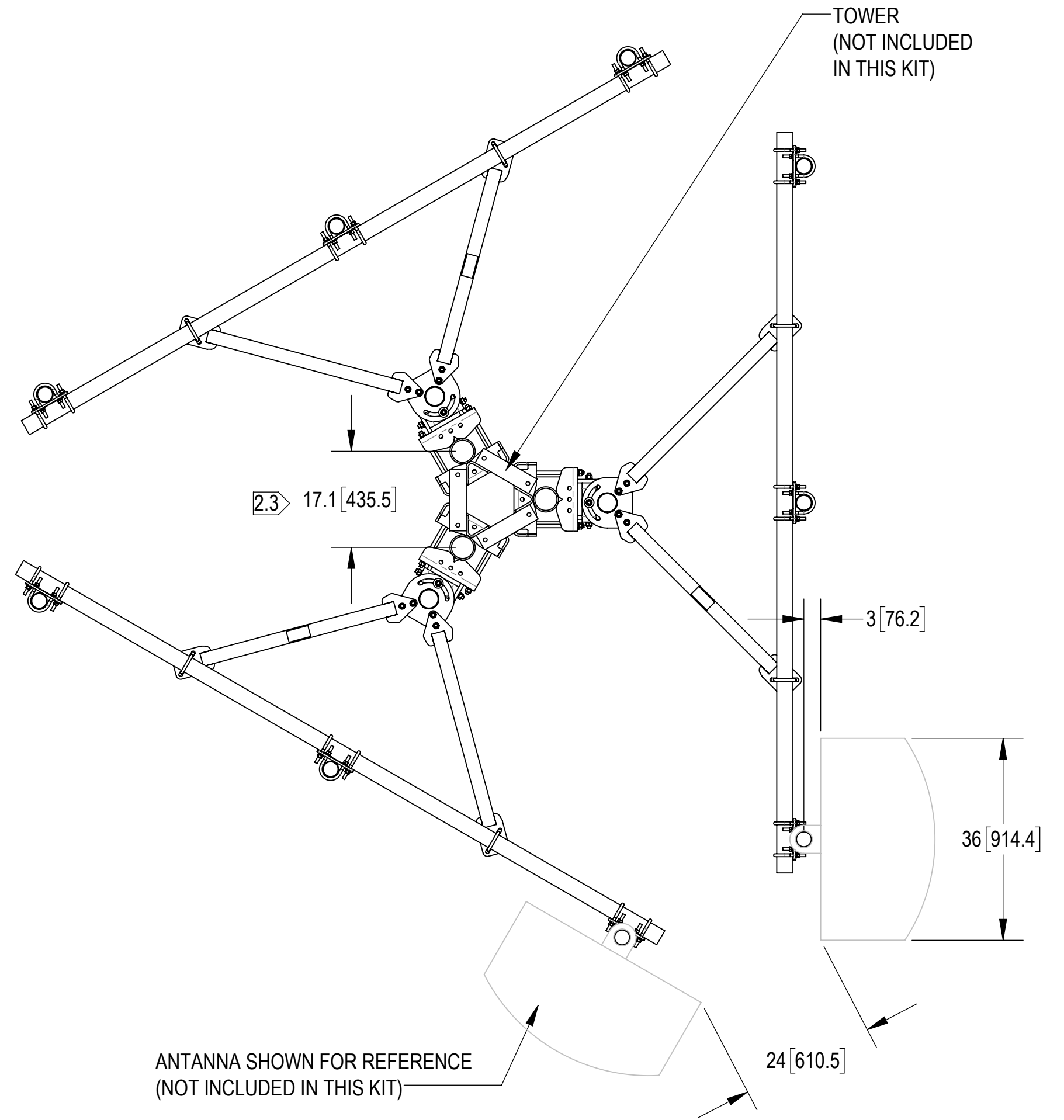
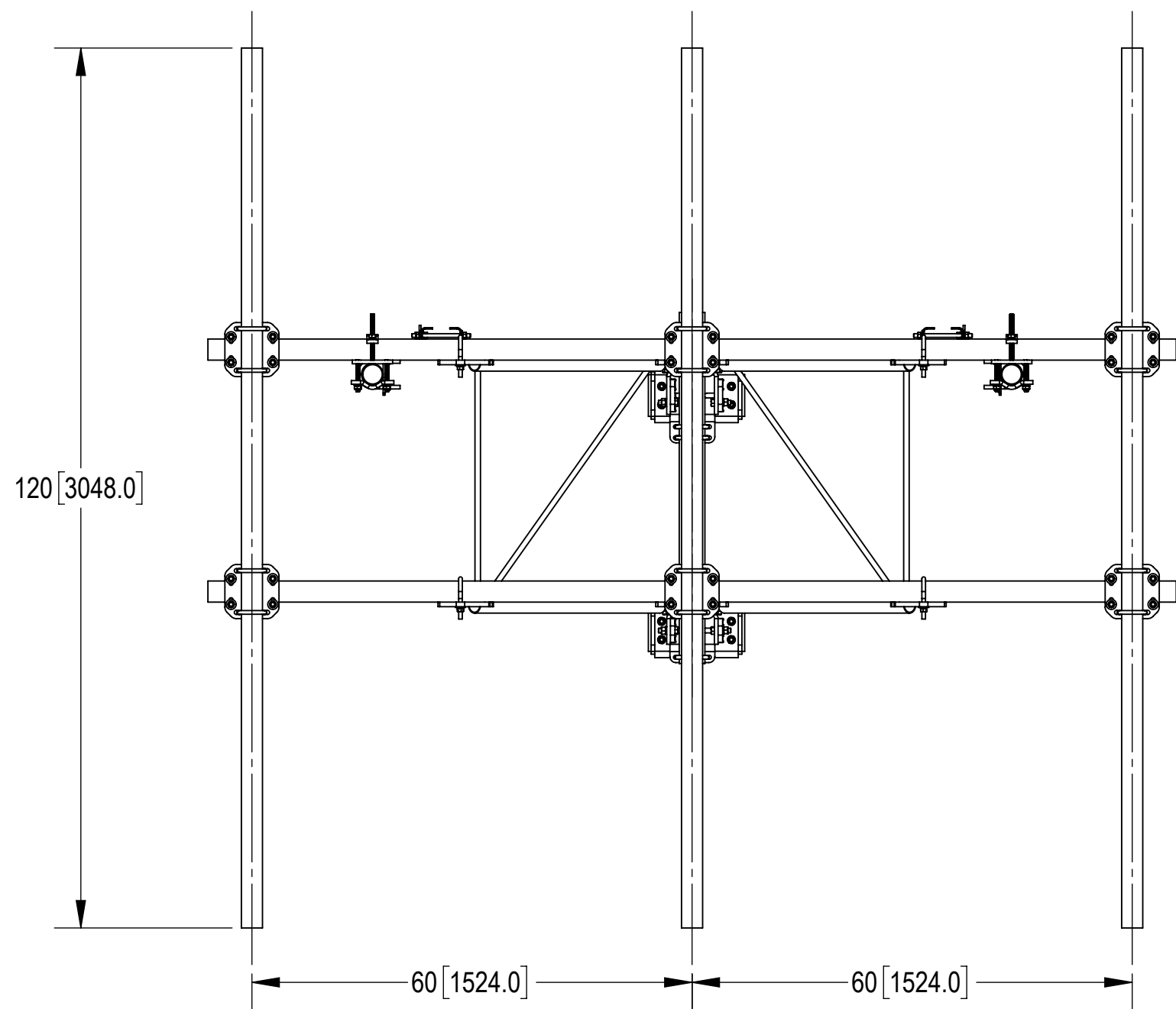
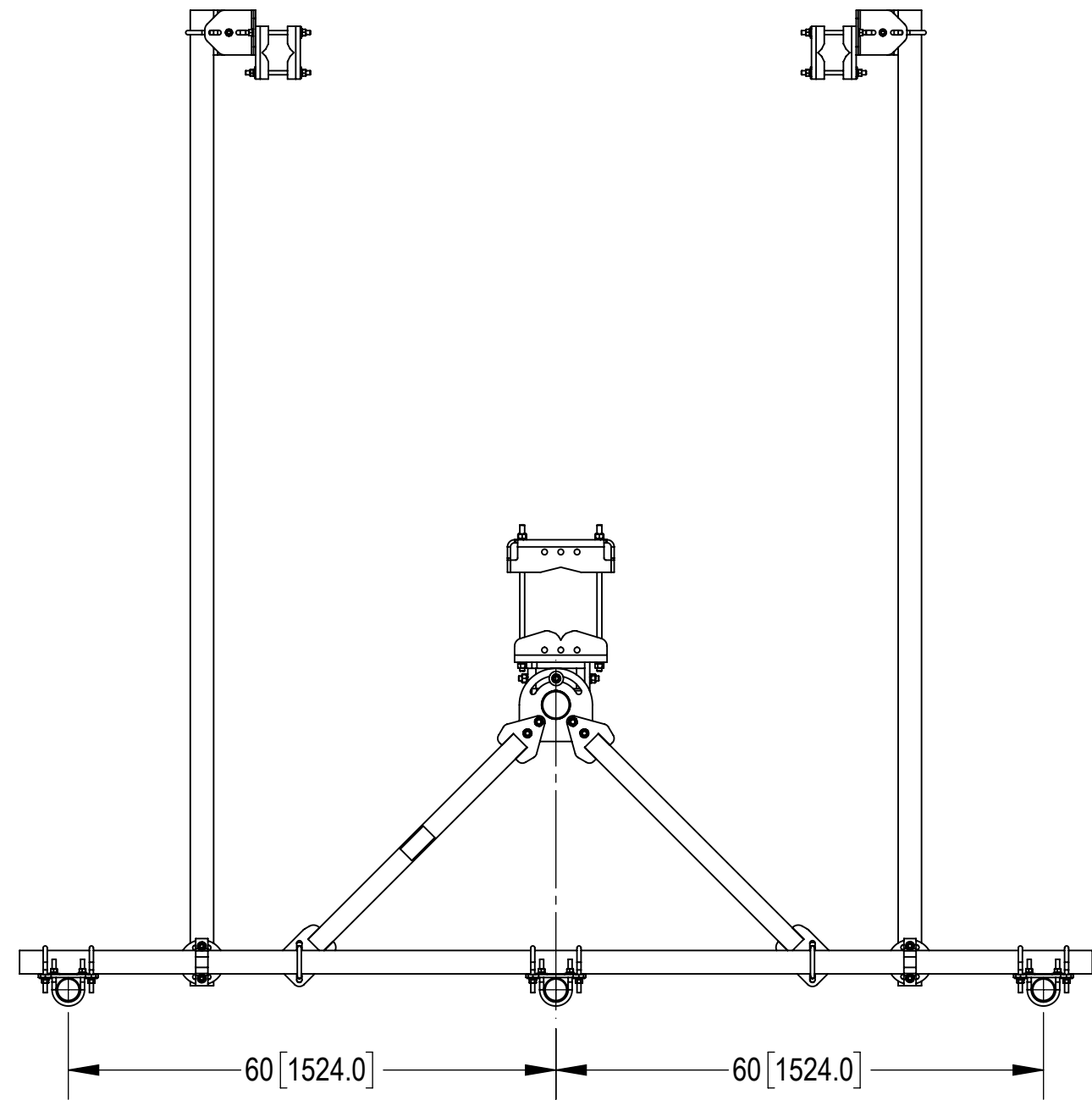
3

2

1



ANTENNA SPACING SHOWN



INSTALLED ON STANDARD TOWER SHOWN

COMMSCOPE, INC. OF NORTH CAROLINA				
TITLE PG,SF,11"FP,(3)120"AP				
SIZE C	SCALE 1:20	DOCUMENT NO. SFG22HDX-11-3-120		
		DRAWING		SHEET
		VERSION	STATUS	REVISION
		00	RE	A
				SHEET 5 OF 6

4

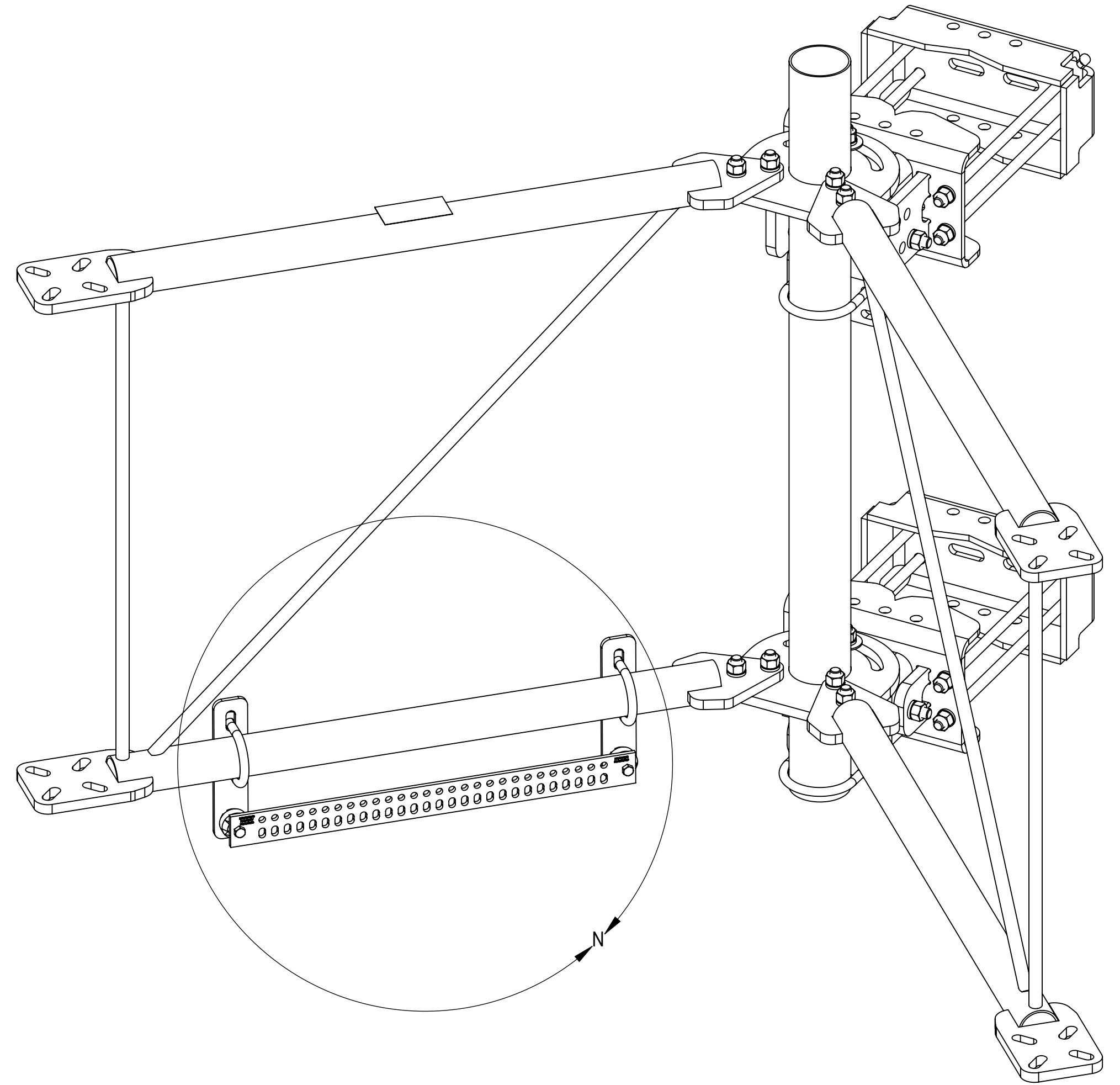
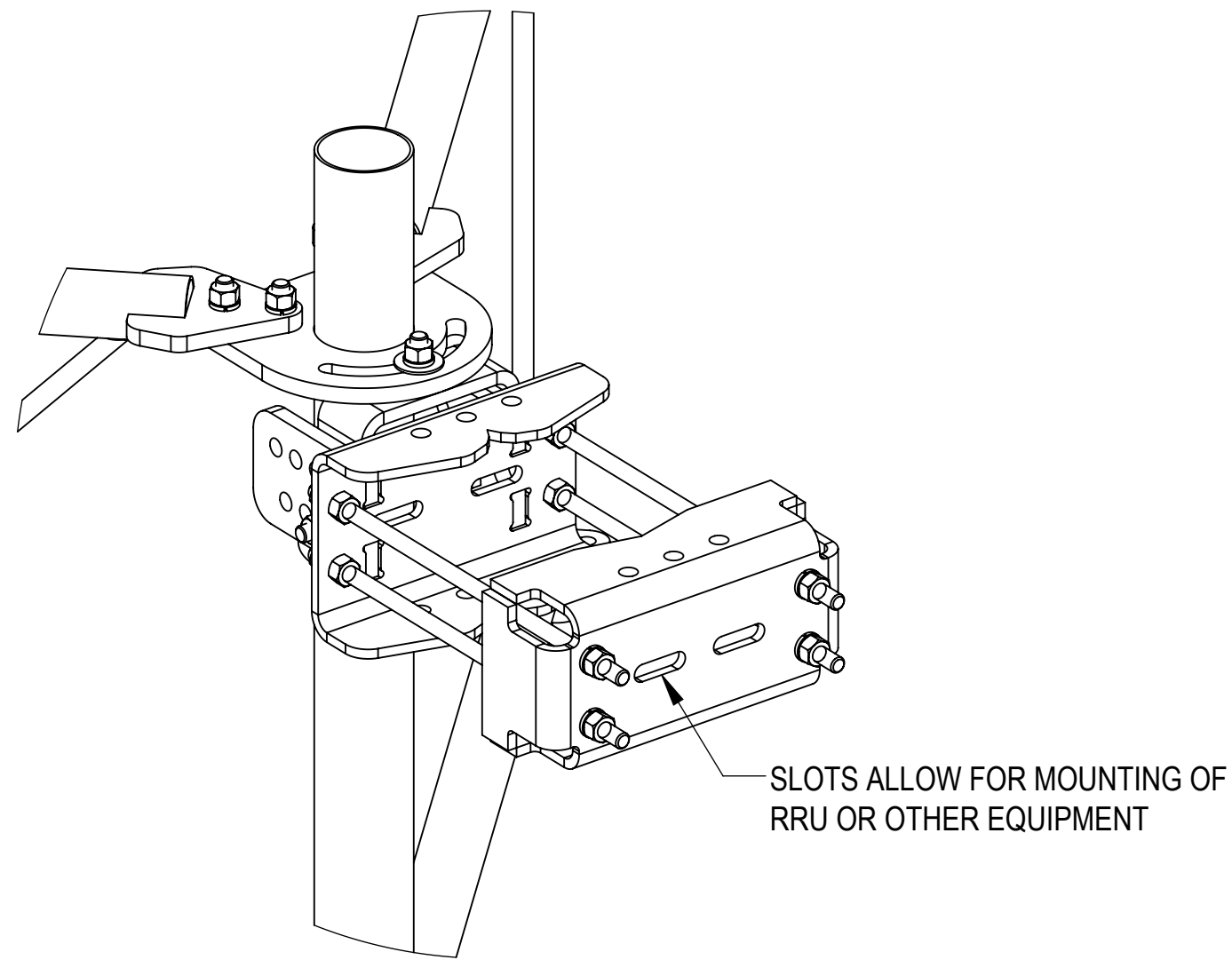
3

2

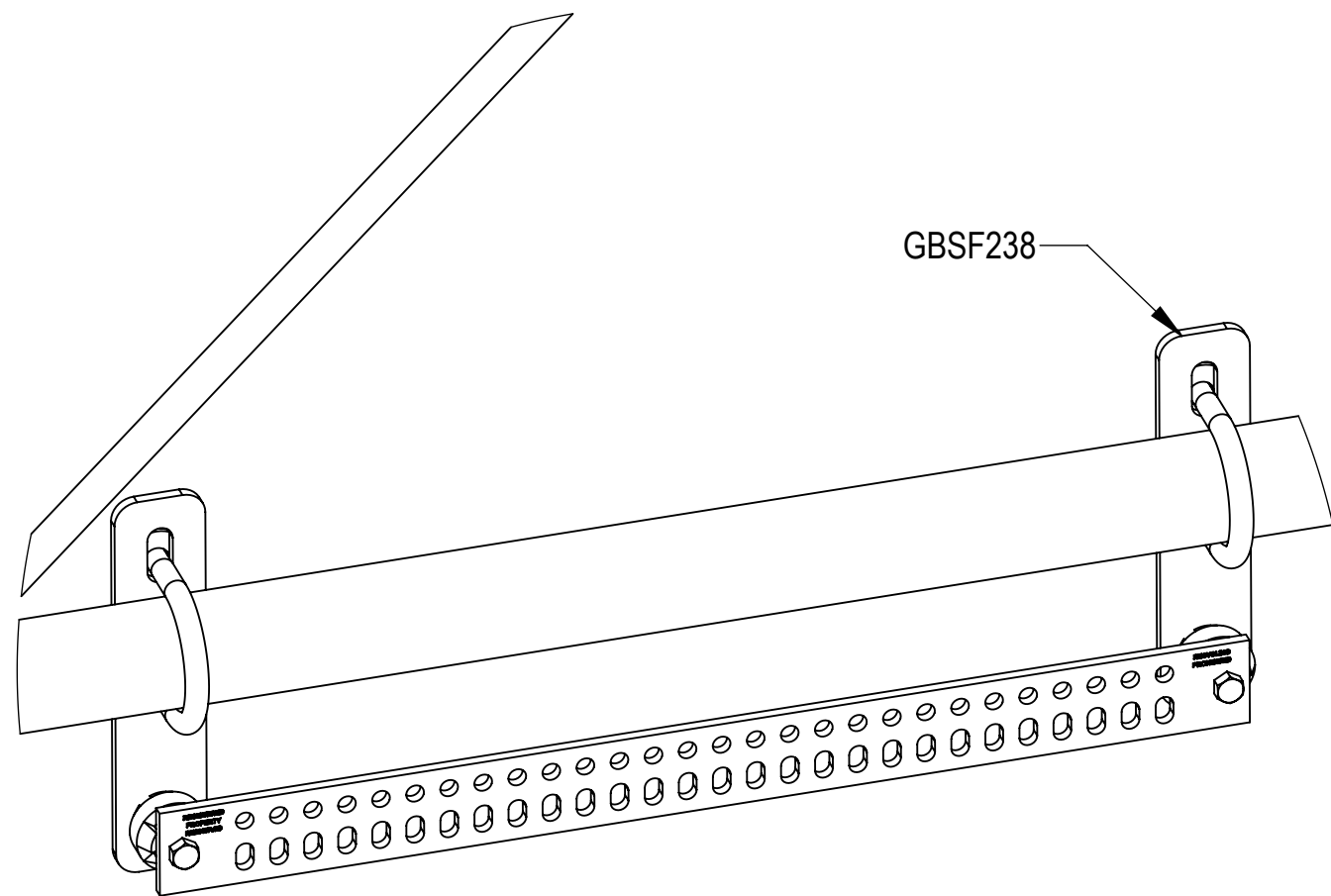
1

OPTIONAL ACCESSORIES:

BUS BAR MOUNT KIT GBSF238 IS WELL SUITED TO BE USED SHOULD THE NEED ARISE
NOTE THAT THIS KIT DOES NOT INCLUDE THE ISOLATORS OR BUS BAR



ISO VIEW



DETAIL N
SCALE 1 : 4

COMMSCOPE, INC. OF NORTH CAROLINA					
TITLE PG,SF,11"FP,(3)120"AP					
SIZE C	SCALE 1:6	DOCUMENT NO. SFG22HDX-11-3-120			
		DRAWING			SHEET
		VERSION	STATUS	REVISION	6 OF 6
		00	RE	A	

4

3

2

1