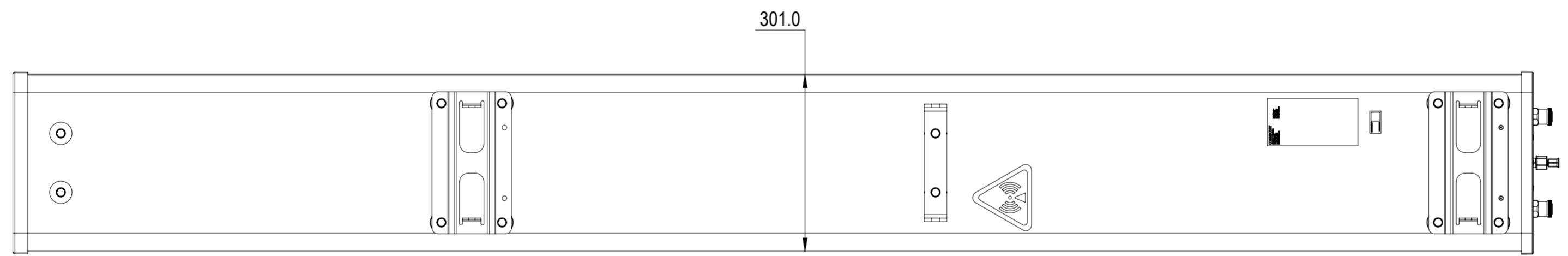
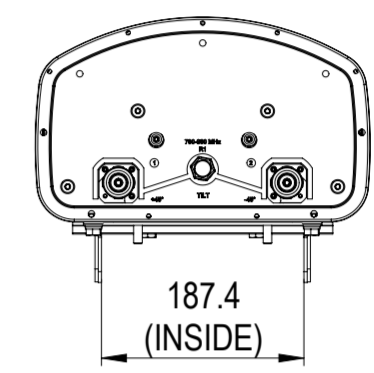
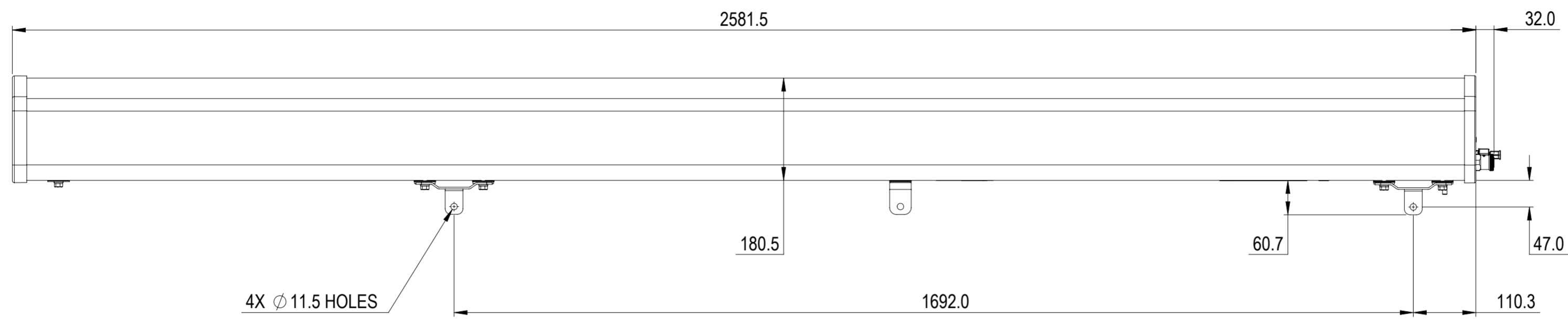
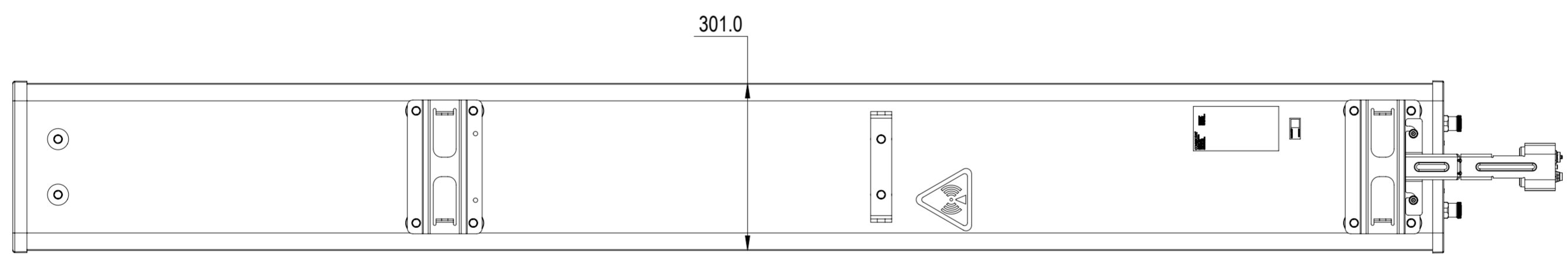
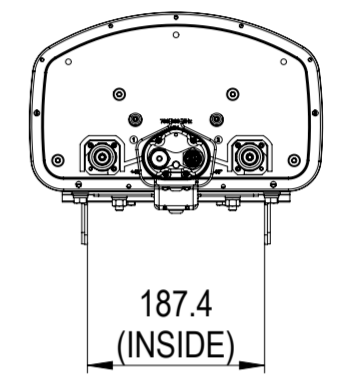
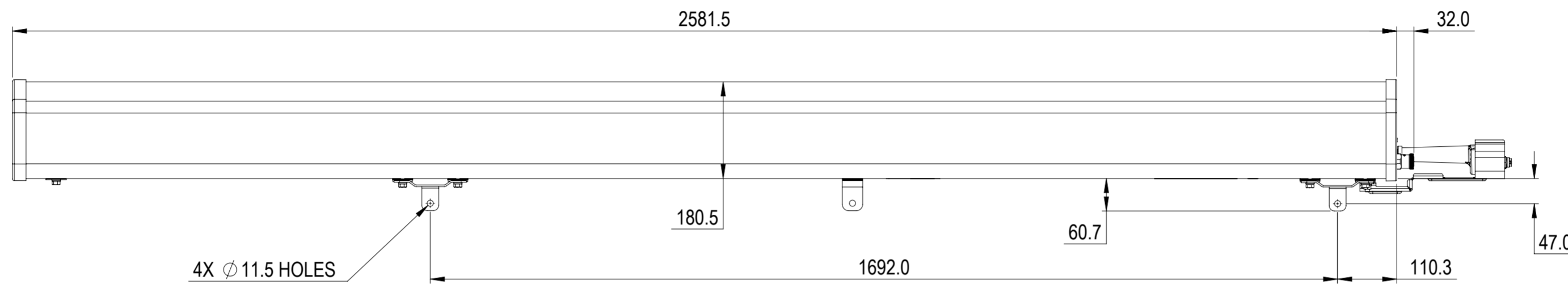


| |
|----------|
| REVISION |
| B |



LDX-6516DS1-VTM



LDX-6516DS1-A1M

| | | |
|-------|-------|-----------------------------------|
| TITLE | | COMMSCOPE, INC. OF NORTH CAROLINA |
| SIZE | SCALE | |
| A2 | 1:5 | |

© 2017 CommScope, LLC. All rights reserved.