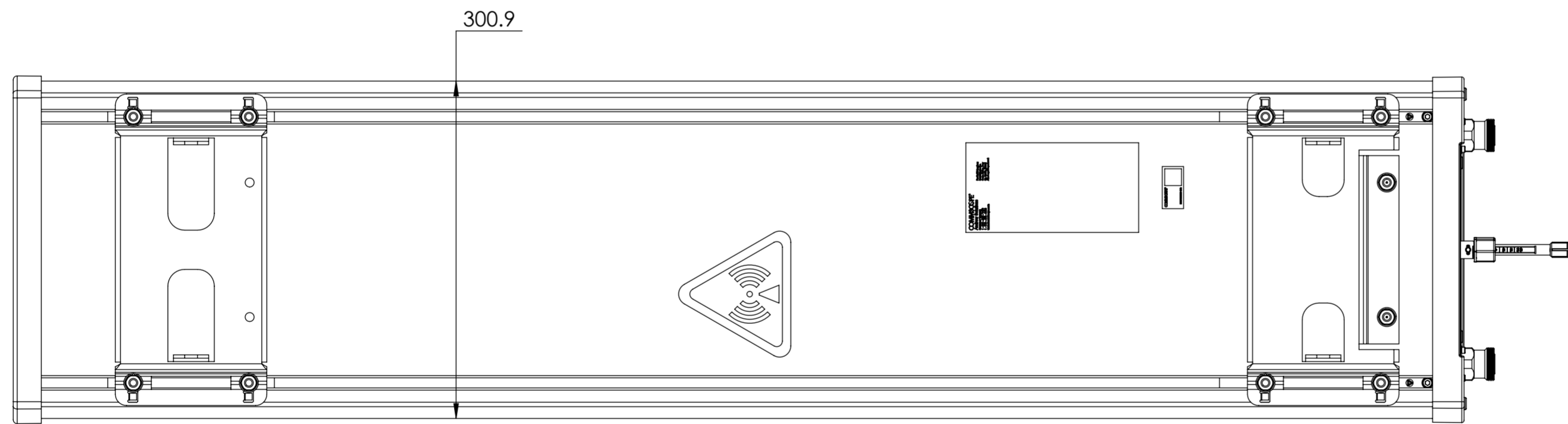
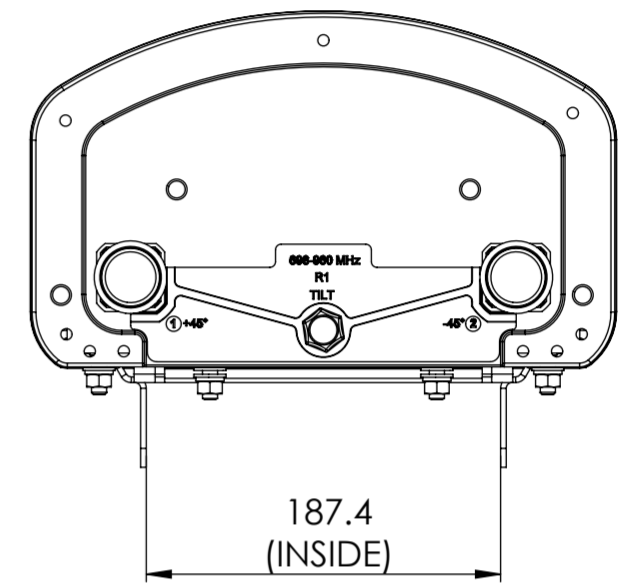
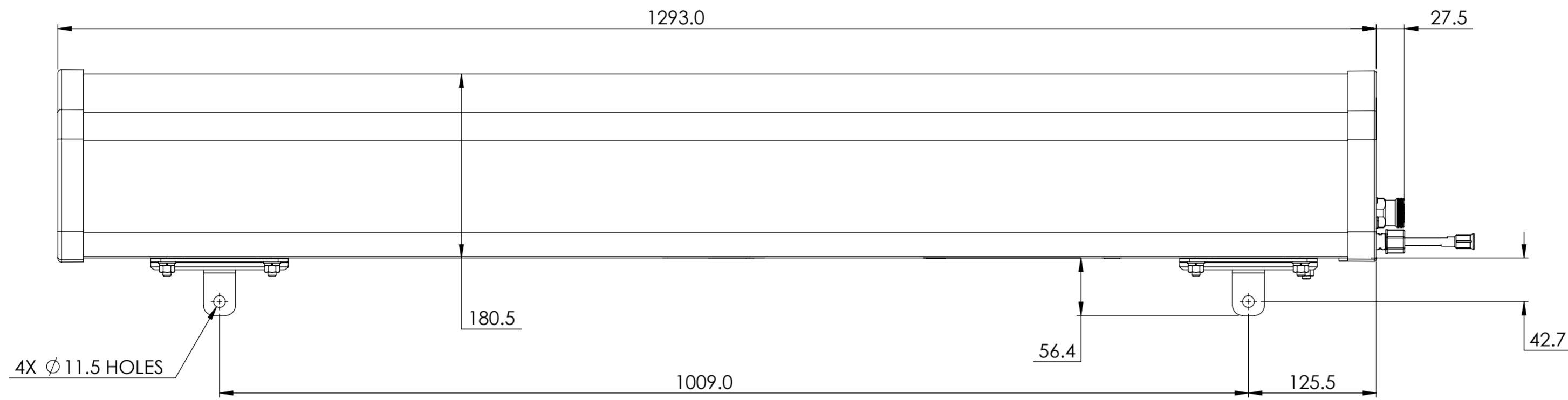


REVISION
E



LRX-8512DS-VTM

4

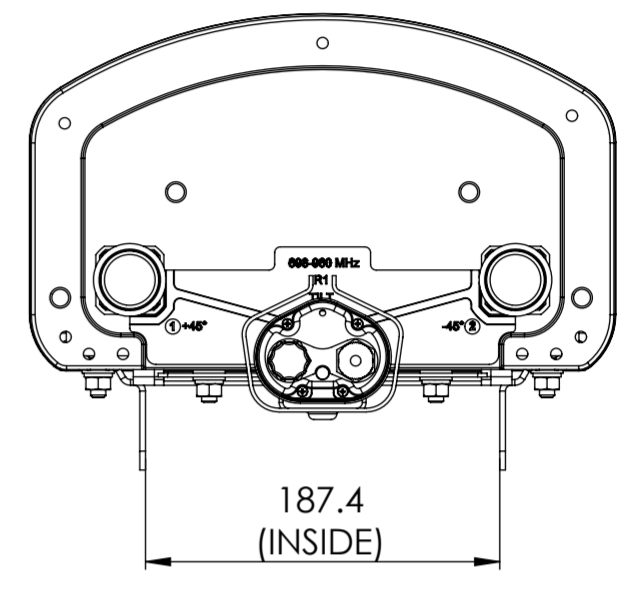
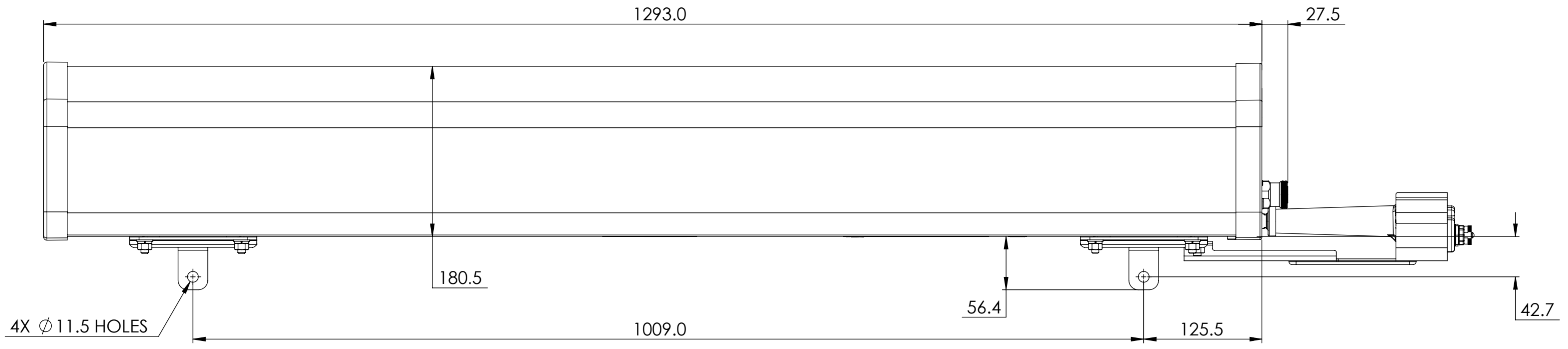
3

2

1

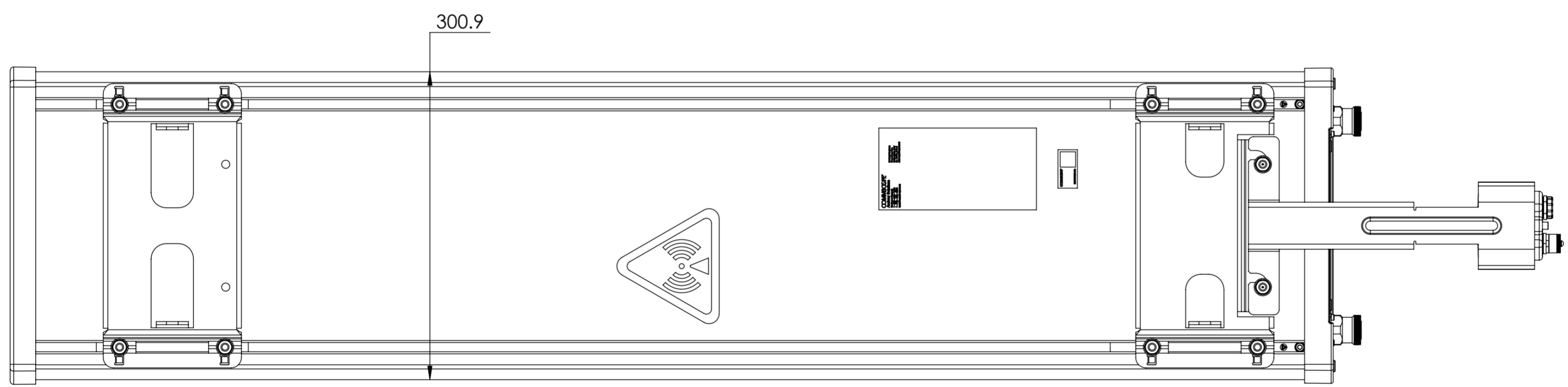
D

D



C

C



B

B

LRX-8512DS-A1M
LRX-8512DS-R2M

A

A

4

3

2

1