

8

7

6

5

4

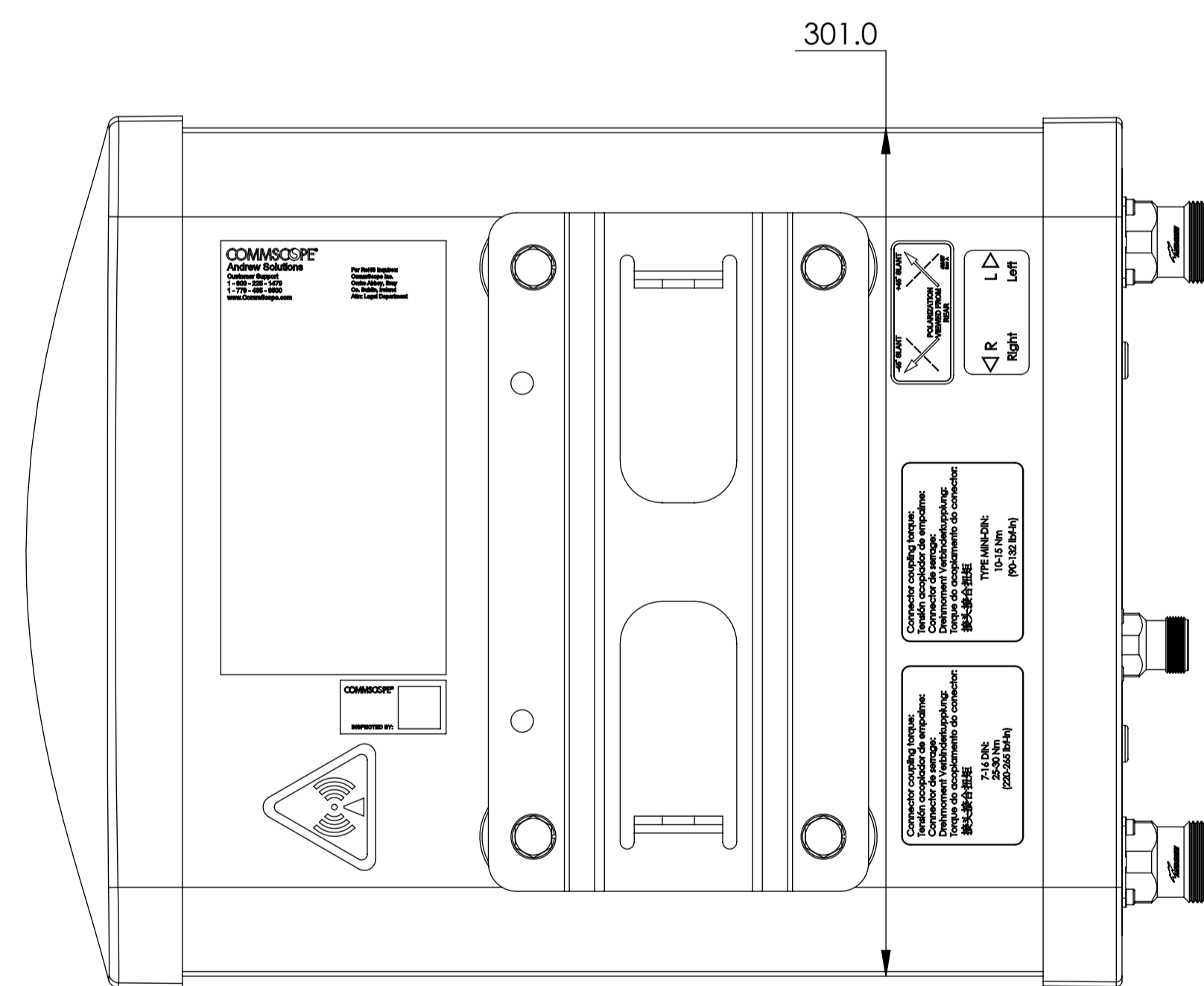
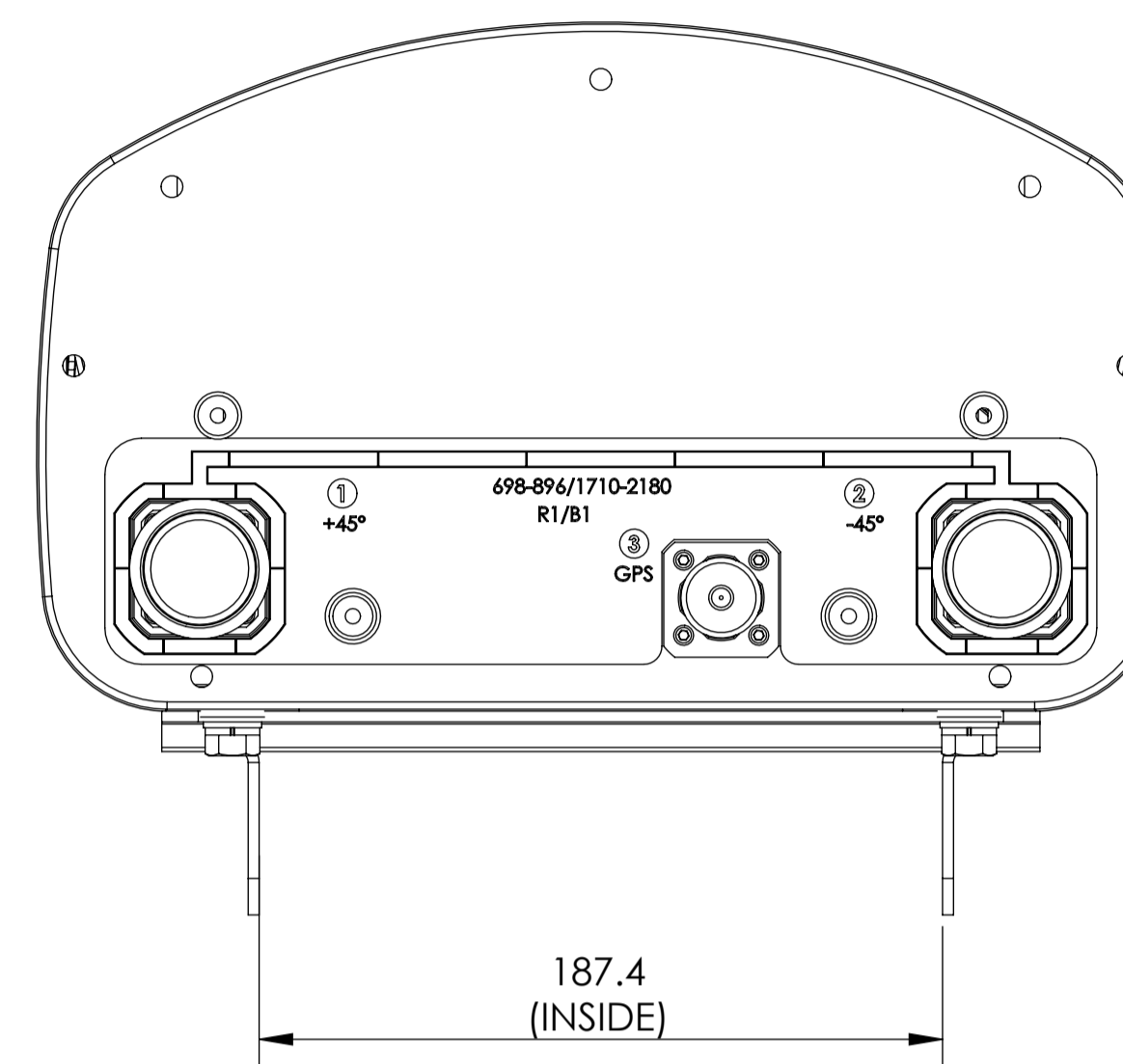
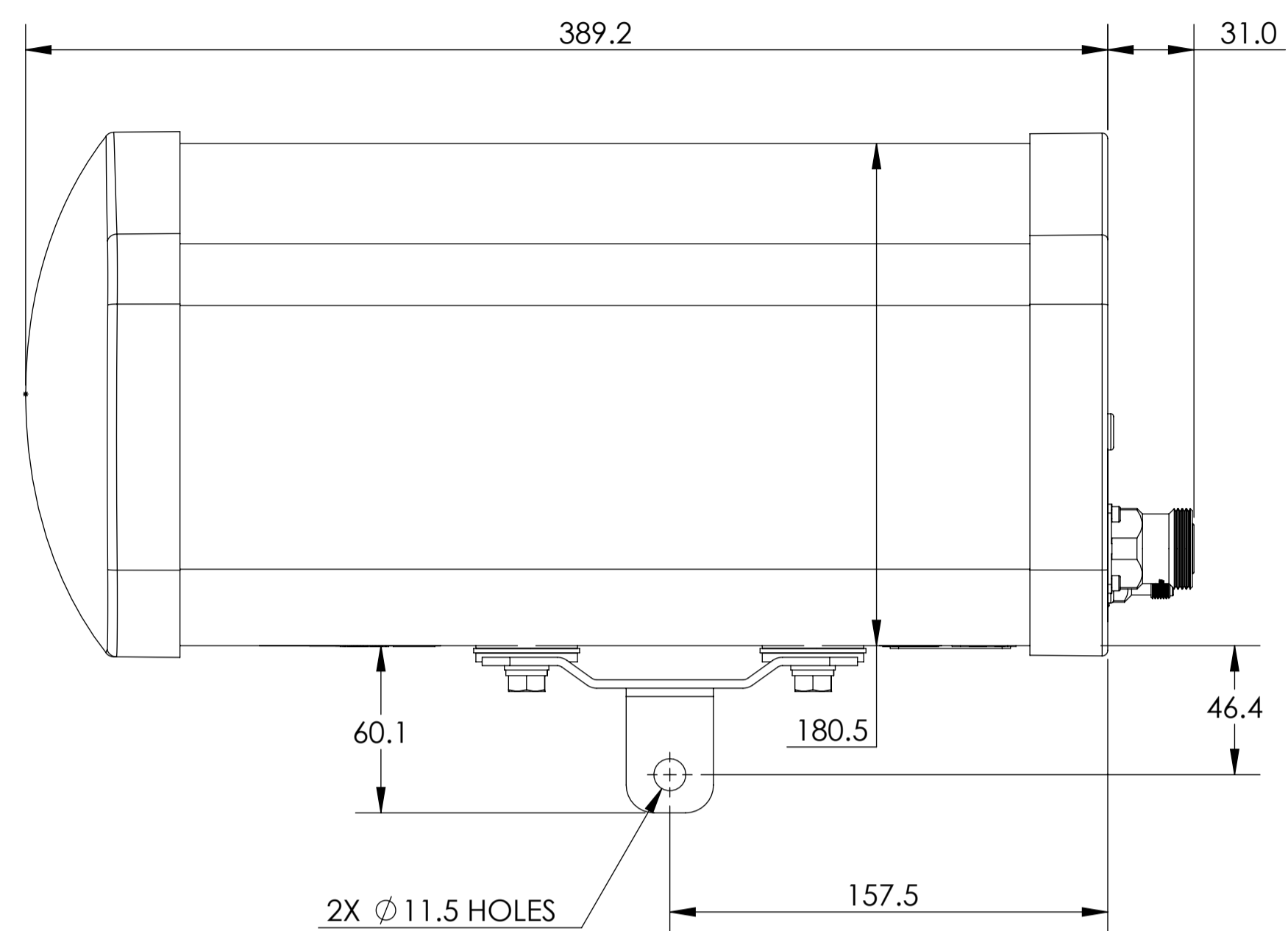
3

2

1

NOTES:

REVISION
G



NH65T-DG-F0

THIRD ANGLE PROJECTION

THIRD ANGLE PROJECTION

8

7

6

3

2

1