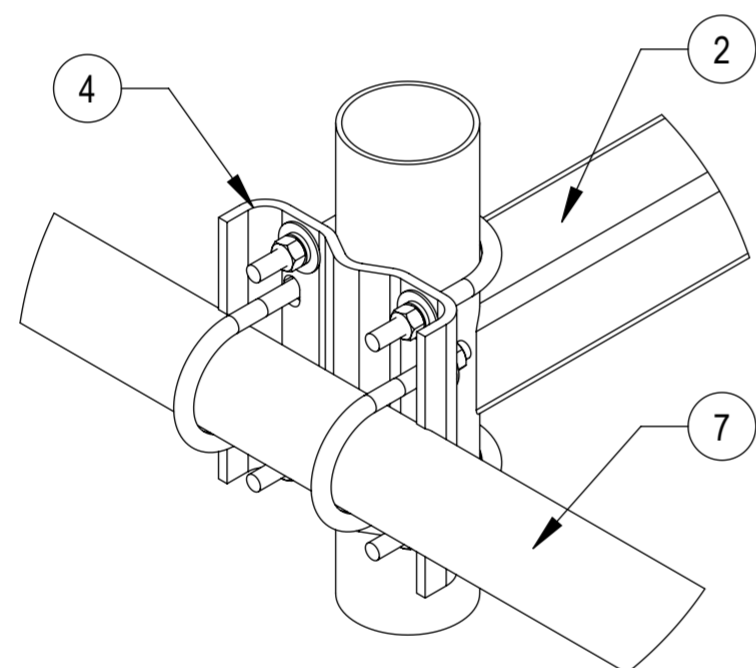
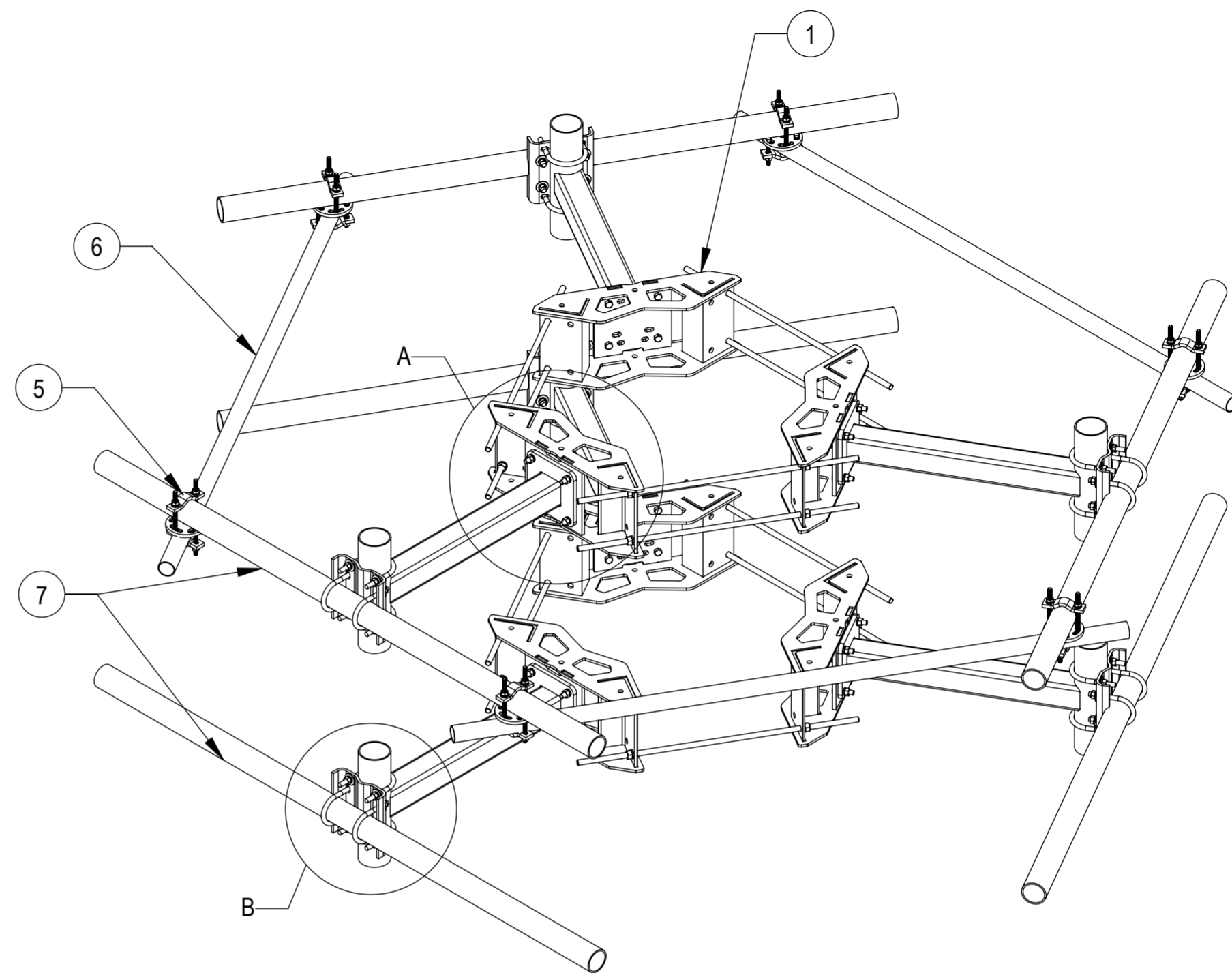


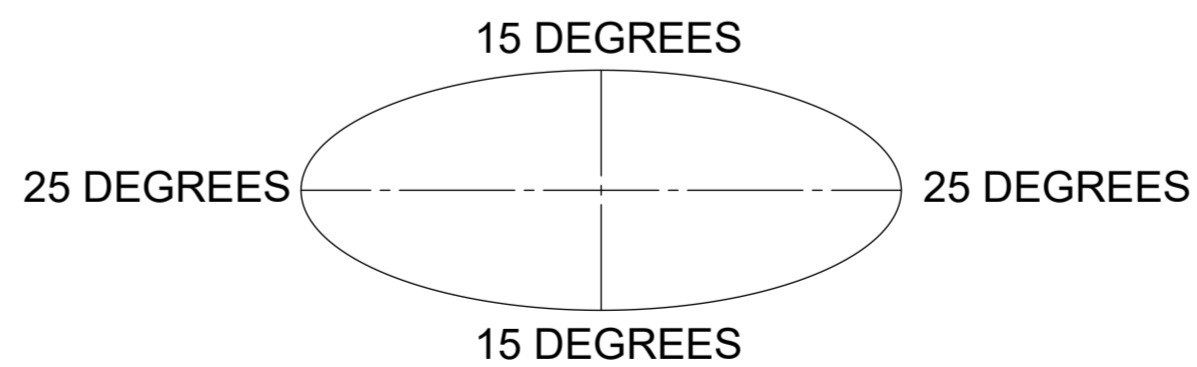
DETAIL A
SCALE 1 : 8



DETAIL B
SCALE 1 : 6



ALLOWABLE TIEBACK ANGLE
 ±15 DEGREES VERTICAL
 ±25 DEGREES HORIZONTAL



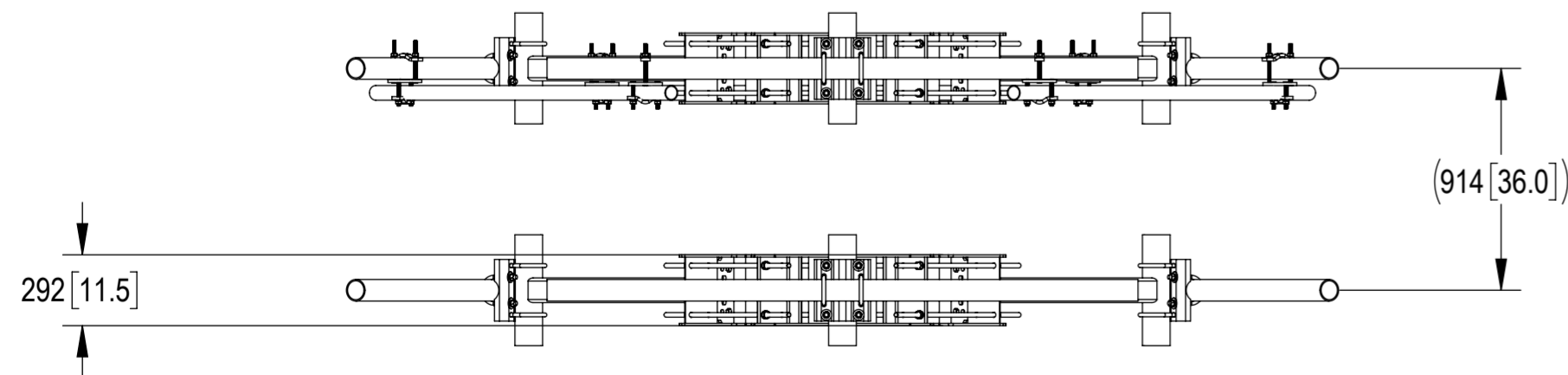
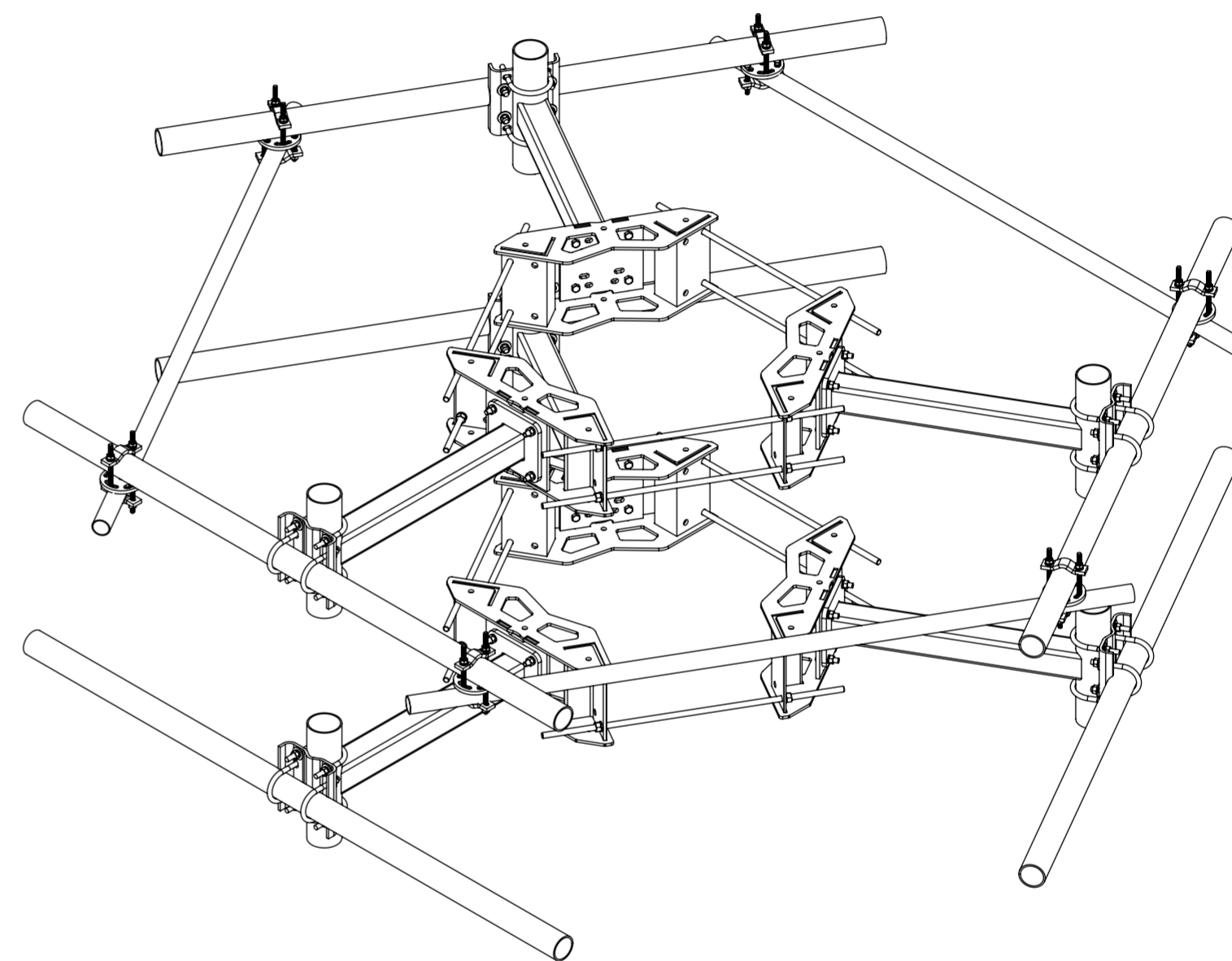
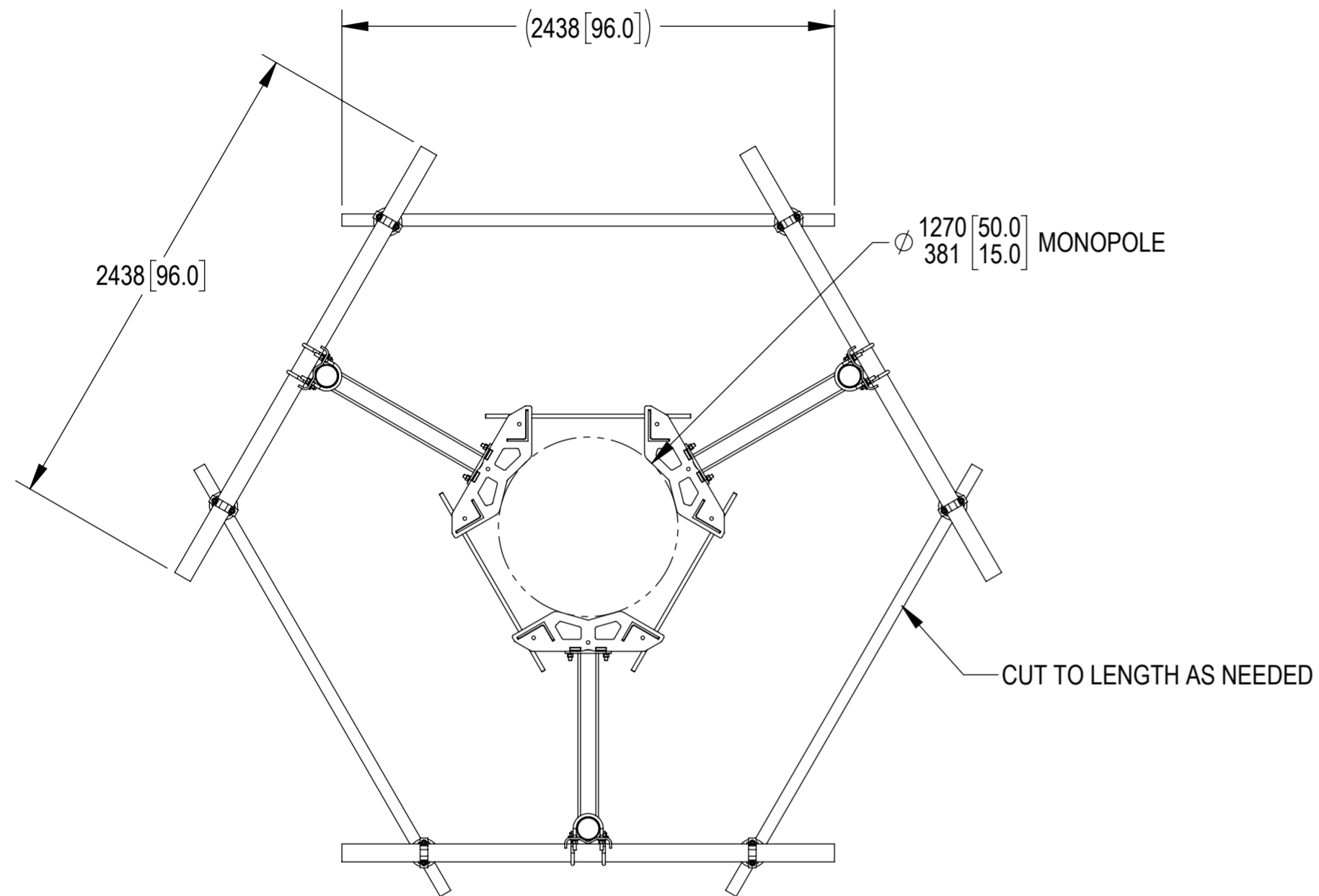
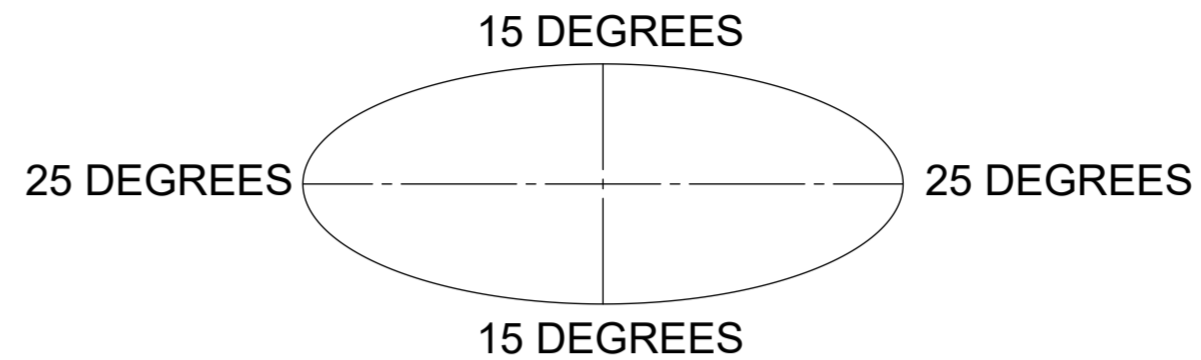
COMPONENT PART NUMBERS PROVIDED FOR ASSEMBLY PURPOSES;
 INDIVIDUAL COMPONENTS MAY BE SHIPPED AS PARTS WITHIN AN INCLUDED KIT.

ITEM NO.	PART NUMBER	DESCRIPTION	QTY.	NOTE NO.
1	MC-RM1550-3	15" - 50" OD RINGMOUNT	2	
2	MT19701	36" SINGLE SUPPORT ARM	6	
3	GB-05245	5/8" X 2-1/2" GALV BOLT KIT	24	
4	MT216NSH	12" CENTER BRACKET	6	
5	XP-R	CROSSOVER PLATE, ROUND, UP TO 3.5" OD	6	
6	MT-651-96	2.375" OD X 96" PIPE	3	
7	MTC54796216	3-1/2"OD X 96" GALV PIPE	6	

COMMSCOPE, INC. OF NORTH CAROLINA				
TITLE MONOPOLE, DBL T-ARM, 8' FACE, NO AP, NP XP				
SIZE A2	SCALE 1:25	DOCUMENT NO. MC-KD8M-B		
		DRAWING		SHEET
		VERSION	STATUS	REVISION
		00	RE	A
				SHEET 2 OF 3

ALLOWABLE TIEBACK ANGLE

±15 DEGREES VERTICAL
±25 DEGREES HORIZONTAL



TOP
BOTTOM

COMMSCOPE, INC. OF NORTH CAROLINA				
TITLE MONOPOLE, DBL T-ARM, 8' FACE, NO AP, NP XP				
SIZE A2	SCALE 1:25	DOCUMENT NO. MC-KD8M-B		
		DRAWING		SHEET
		VERSION	STATUS	REVISION
		00	RE	A
				SHEET 3 OF 3