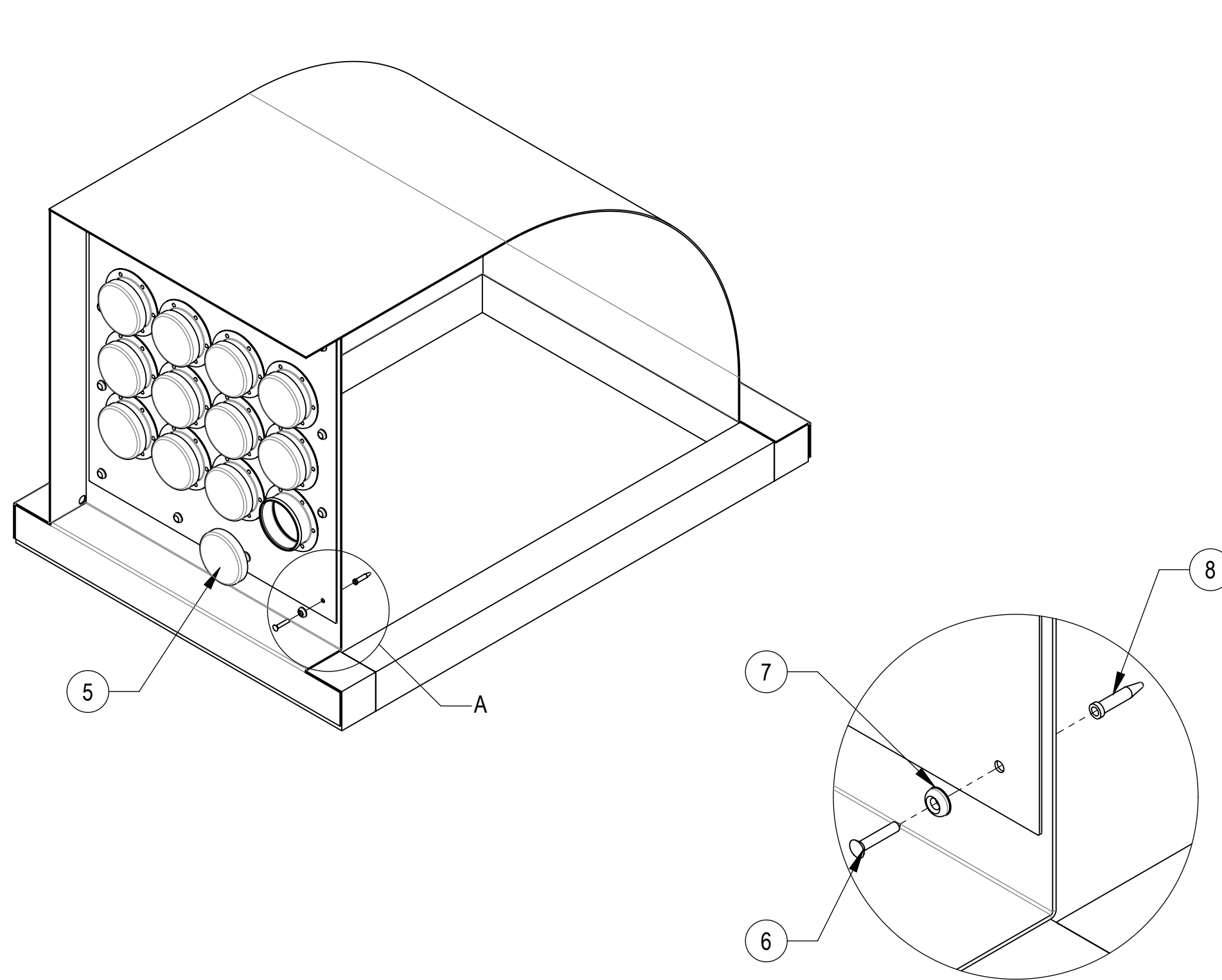
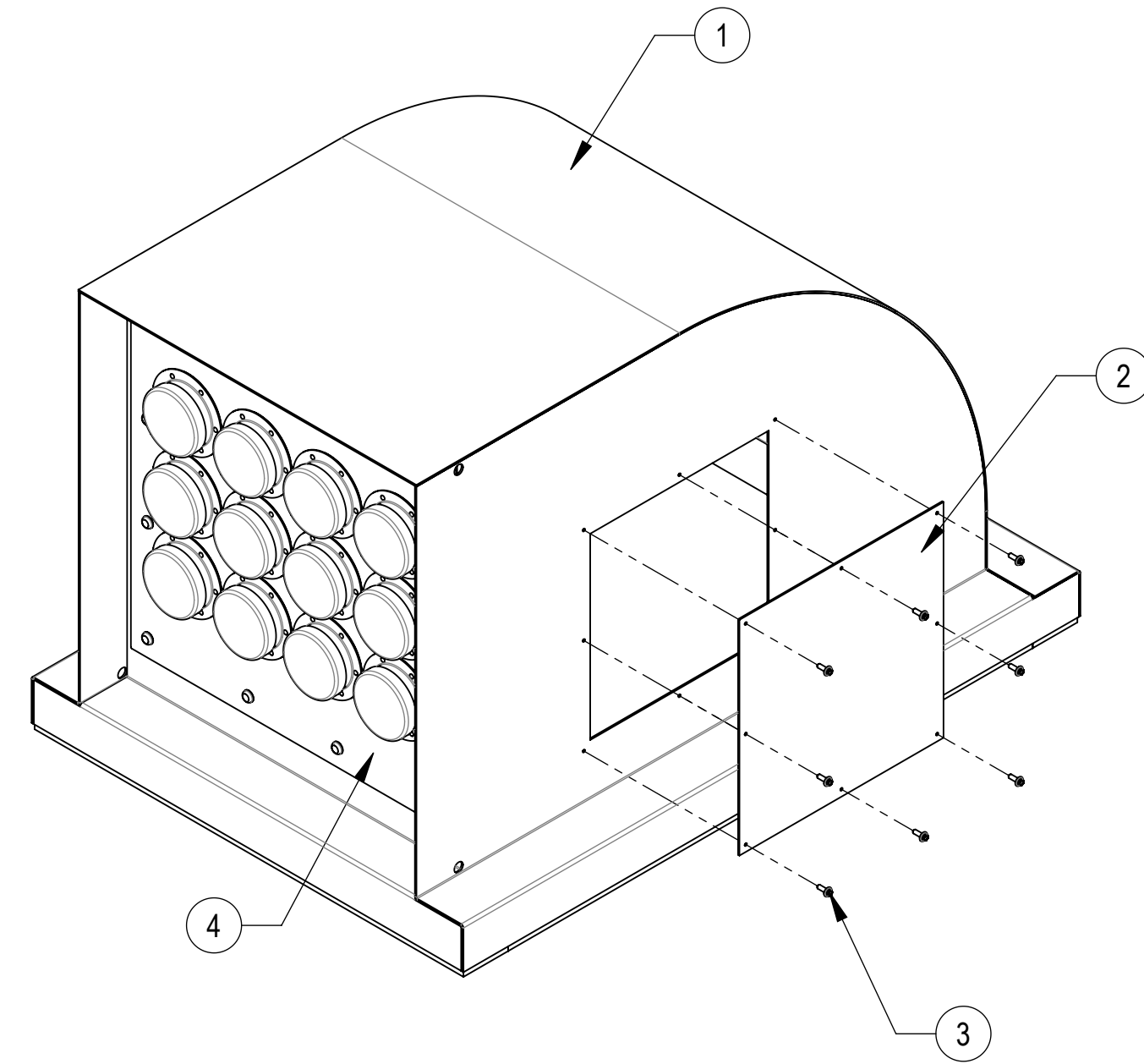


- 1.0 GENERAL NOTES
 - 1.1 ALL METRIC DIMENSIONS ARE IN BRACKETS [X.X]
 - 1.2 FOR PATENT INFO: <https://www.cs-pat.com>
- 2.0 DESIGN NOTES
- 3.0 MANUFACTURING/SPECIAL REQUIREMENTS
 - 3.1 RECOMMENDED THE 4 X 4 IN FRAME IS ATTACHED TO THE ROOF USING ROOF TAR ADHESIVE
- 4.0 TEST
- 5.0 PACKAGING
 - 5.1 PACKAGING SHALL MEET COMMSCOPE REQUIREMENTS PER DOCUMENT IS-PL-3005
 - 5.2 PRINTED DOCUMENT TO BE PLACED INSIDE POLYBAG AND THEN IN SHIPPING CONTAINER
 - 5.3 EXTRA HARDWARE MAY BE SUPPLIED, BAGGED AND SHIPPED

REVISIONS			
REV.	DESCRIPTION	DATE	APPROVED
C	REVISED AND REDRAWN	JTS 31AUG00	TP
D	ADDED HARDWARE KIT	BNN 22MAR01	TP
E	REDRAWN IN S.W.	AW 31OCT06	TP
F	CORRECT BOM	ACG 27DEC06	TP
G	ADDED ENTRY PORT KITS	NSUN 12NOV24	BA1025 40208714CMO



DETAIL A
SCALE 1 : 3



COMPONENT PART NUMBERS PROVIDED FOR ASSEMBLY PURPOSES;
INDIVIDUAL COMPONENTS MAY BE SHIPPED AS PARTS WITHIN AN INCLUDED KIT.

ITEM	PART NO.	DESCRIPTION	QTY.	WEIGHT	NOTE NO.
1	MT365G01	ROOF-TOP HOOD ENTRY: GALV (LARGE) (EA)	1	168.87 LBS	
2	MT365G02	ROOF-TOP HOOD ENTRY: GALV PANEL (EA)	1	7.54 LBS	
3	MTC371531	1/4-14X7/8 SELF DRILLING HEX HEAD SCREW	8	0.02 LBS	
4	EP1118A	EP-1118 ASSEMBLED PAINTED PORT (EA)	1	5.96 LBS	
5	CAP-4	FOUR INCH SNAP-IN ENTRY PORT CAP	12	0.00 LBS	
6	SO14X150	SCREW, #14 X 1-1/2" SS PHLPS OVAL TAPPING	12	0.02 LBS	
7	SWF14	#14 SS FINISHING WASHER	12	0.02 LBS	
8	PL13814	ANCHOR, #14 X 1-3/8" PLASTIC (EA)	12	0.00 LBS	

DENSITY		lbs/in ³
MASS	230.00	lbs
VOLUME	2548.64	in ³
SURFACE AREA	15405.23	in ²
HEIGHT	31"	
LENGTH	48"	
WIDTH	34"	

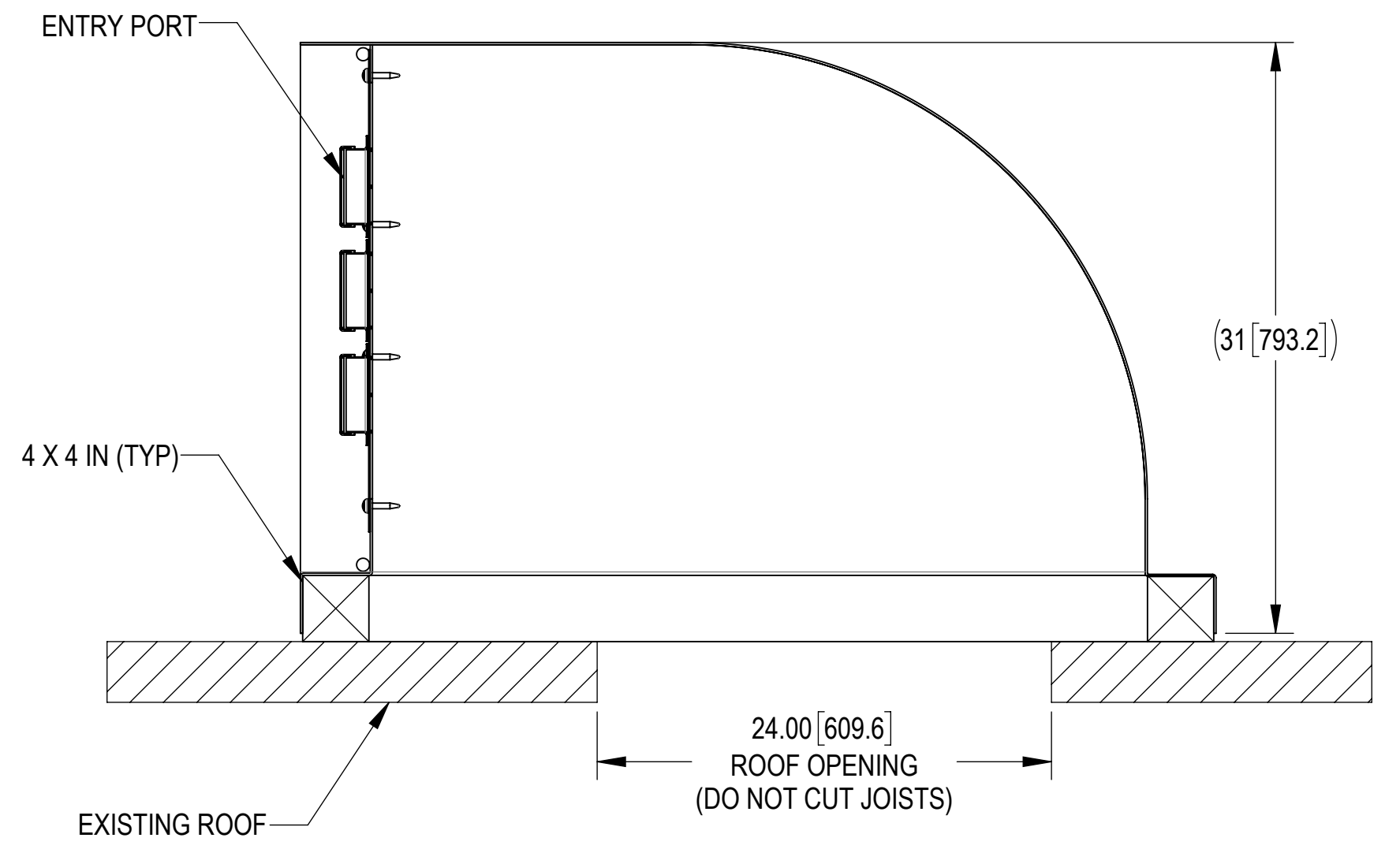
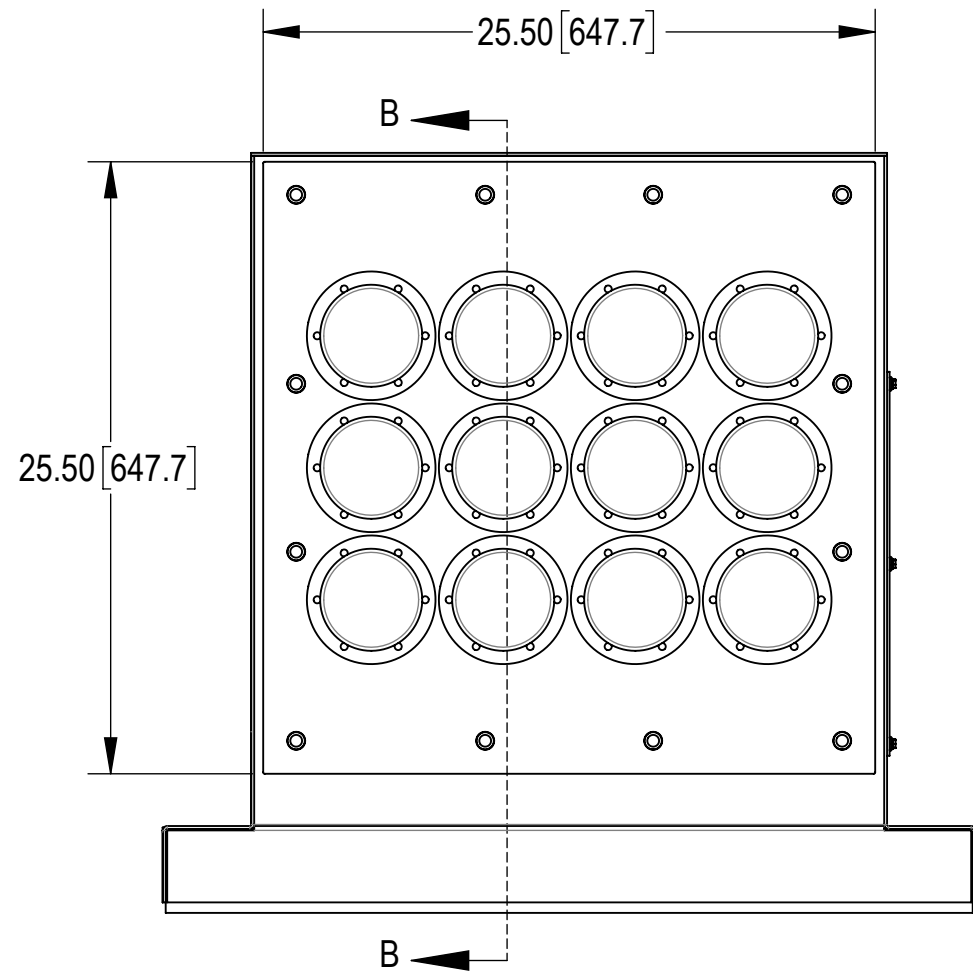
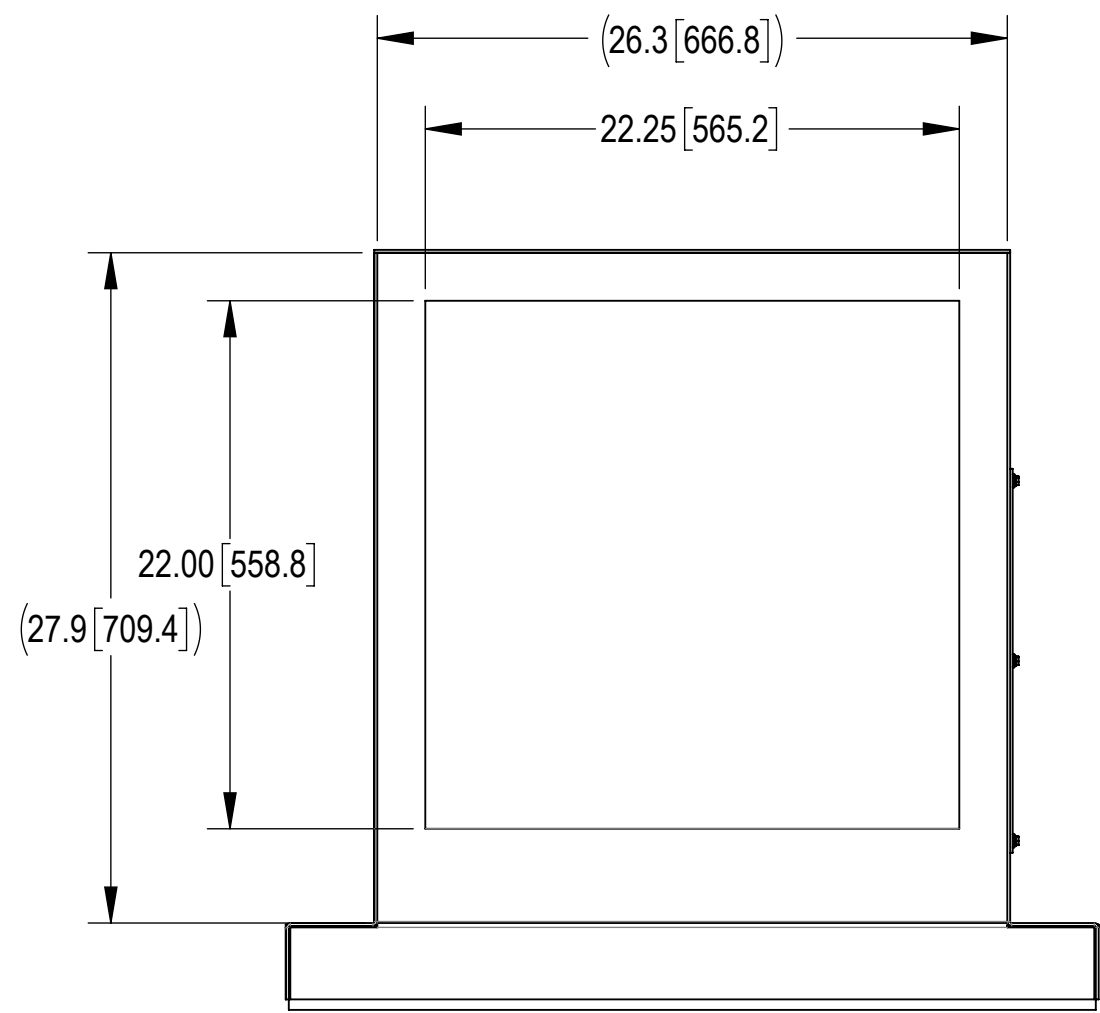
COMMSCOPE, INC. OF NORTH CAROLINA			
TOLERANCES		SAP MATERIAL MASTER	
1 PLACE .X[X] ± 0.06[1.5]	3 PLACE .XXX[X] ± 0.010[0.3]	MT-365G	
2 PLACE .XX[X] ± 0.03[0.7]	ANGLES ± 2°		
FINISH		MATERIAL	
UNLESS OTHERWISE SPECIFIED DIMENSIONS ARE IN INCHES INTERPRET PER ANSI Y 14.5M-1994	NAME	DATE	TITLE
	CE JTS	31AUG00	GALV, HOOD TOP ENTRY
	RW NSUN	11/18/2024	
	AD YMENG	11/18/2024	SCALE
	RE YMENG	12/04/2024	DOCUMENT NO.
ECN 40208714CMO		MT-365G	
SIZE	Auth Group	INSL	MODEL
C			
VERSION	STATUS	REVISION	DRAWING
01	RE	G	01
	STATUS	REVISION	
	RE	G	
			SHEET
			1 OF 2

4

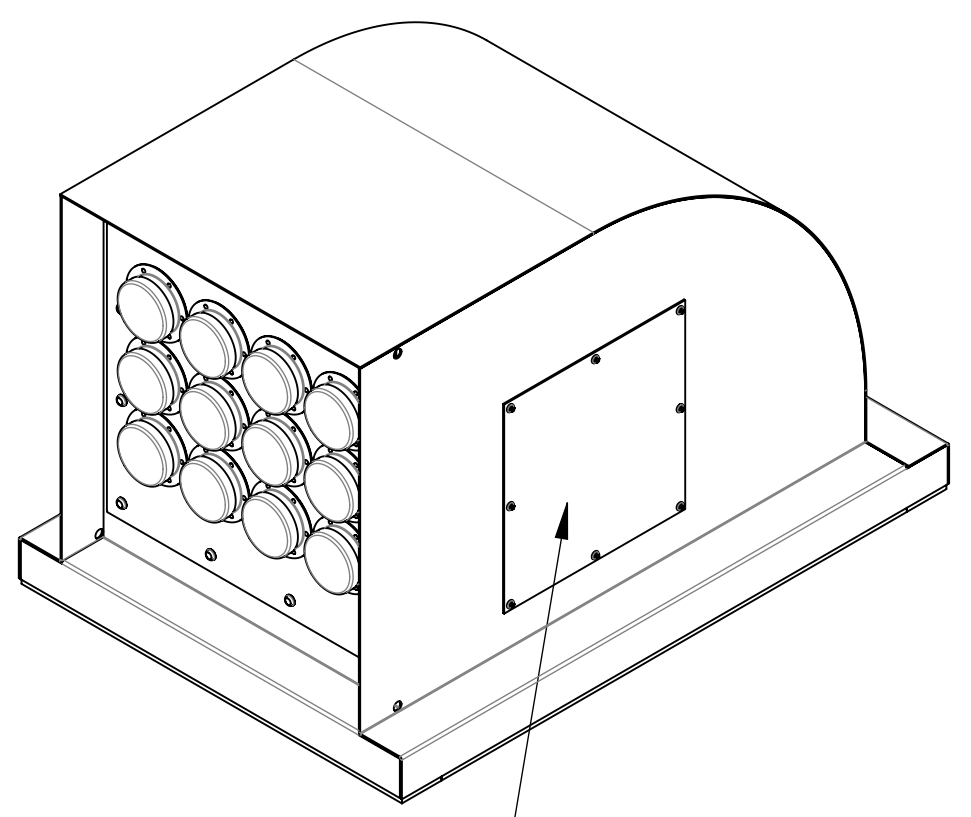
3

2

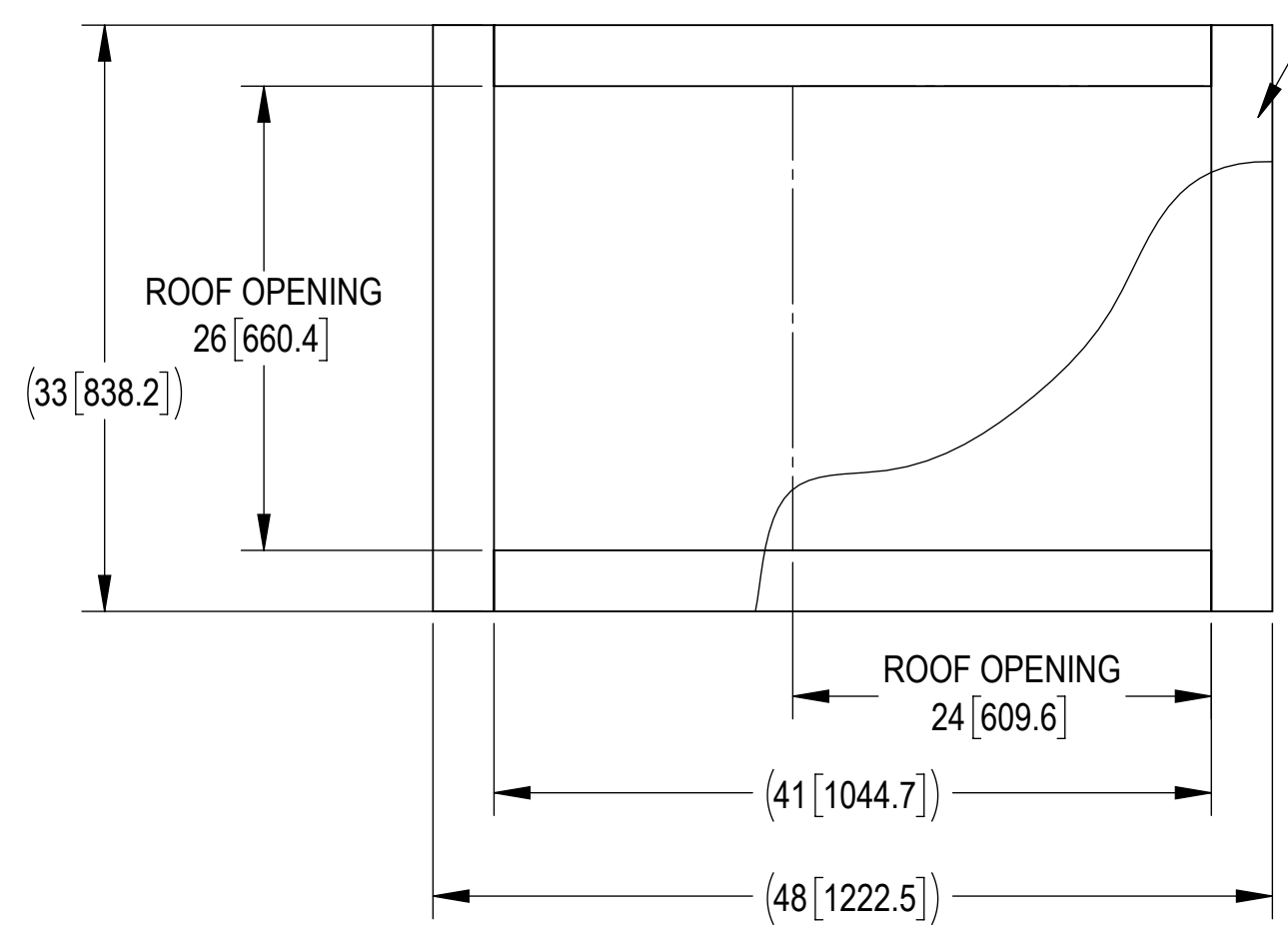
1



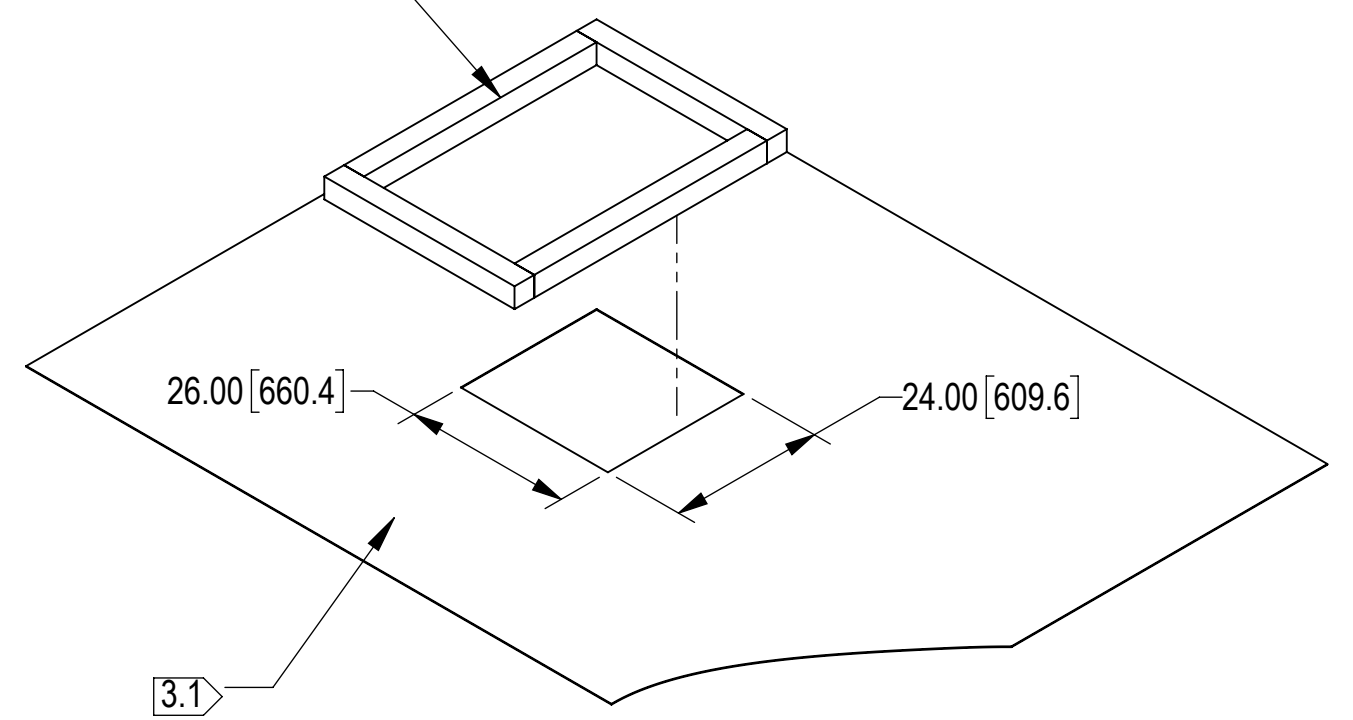
SECTION B-B
SCALE 1 : 8



SIDE CUTOUT
14 X 14 IN



PRESSURE TREATED
4 X 4 IN WOOD FRAME
(NOT INCLUDED)



COMMSCOPE, INC. OF NORTH CAROLINA				
TITLE GALV, HOOD TOP ENTRY				
SIZE C	SCALE 1:12	DOCUMENT NO. MT-365G		
		DRAWING		SHEET
		VERSION	STATUS	REVISION
		01	RE	G
				SHEET 2 OF 2

4

3

2

1

D

D

C

C

B

B

A

A