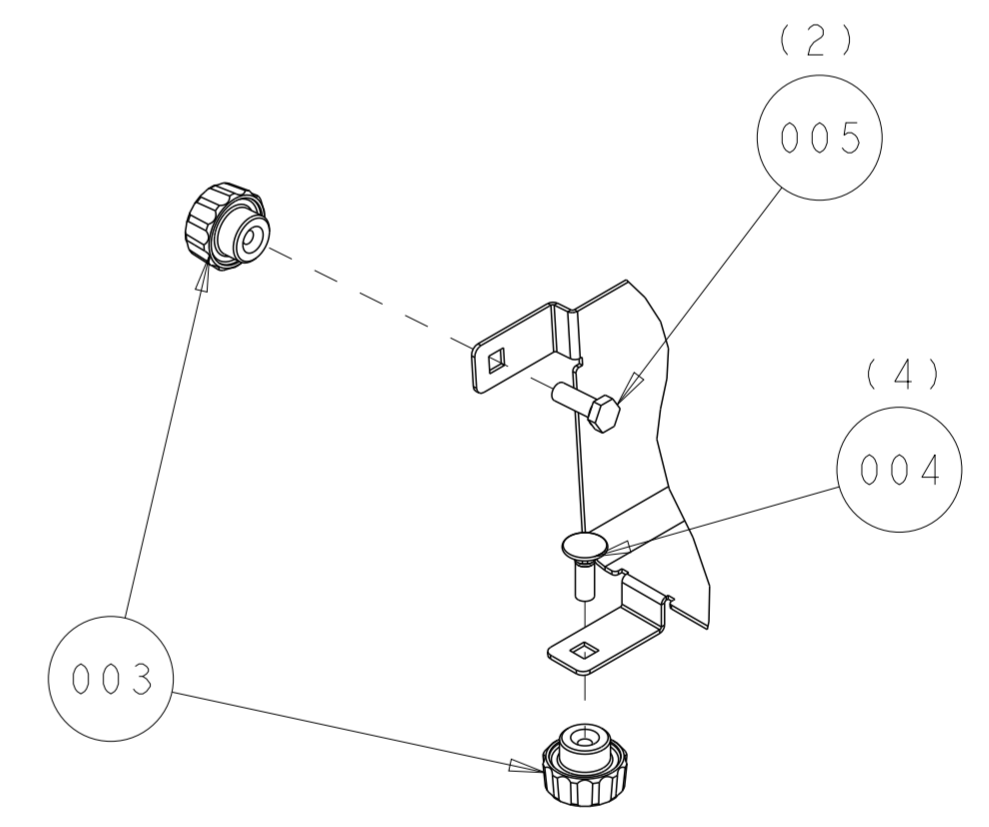
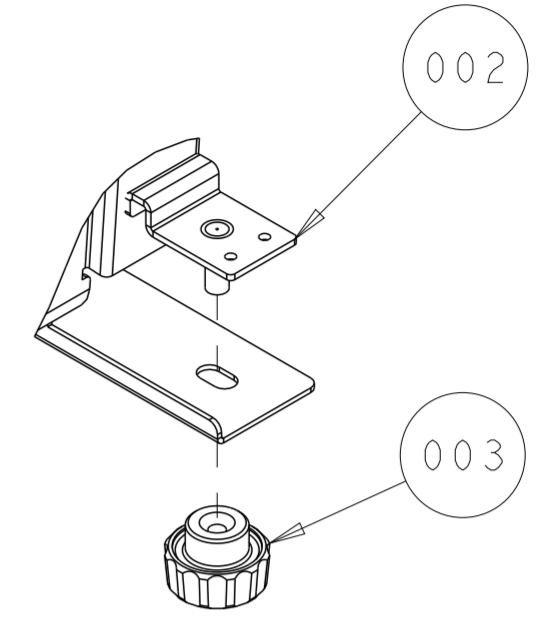
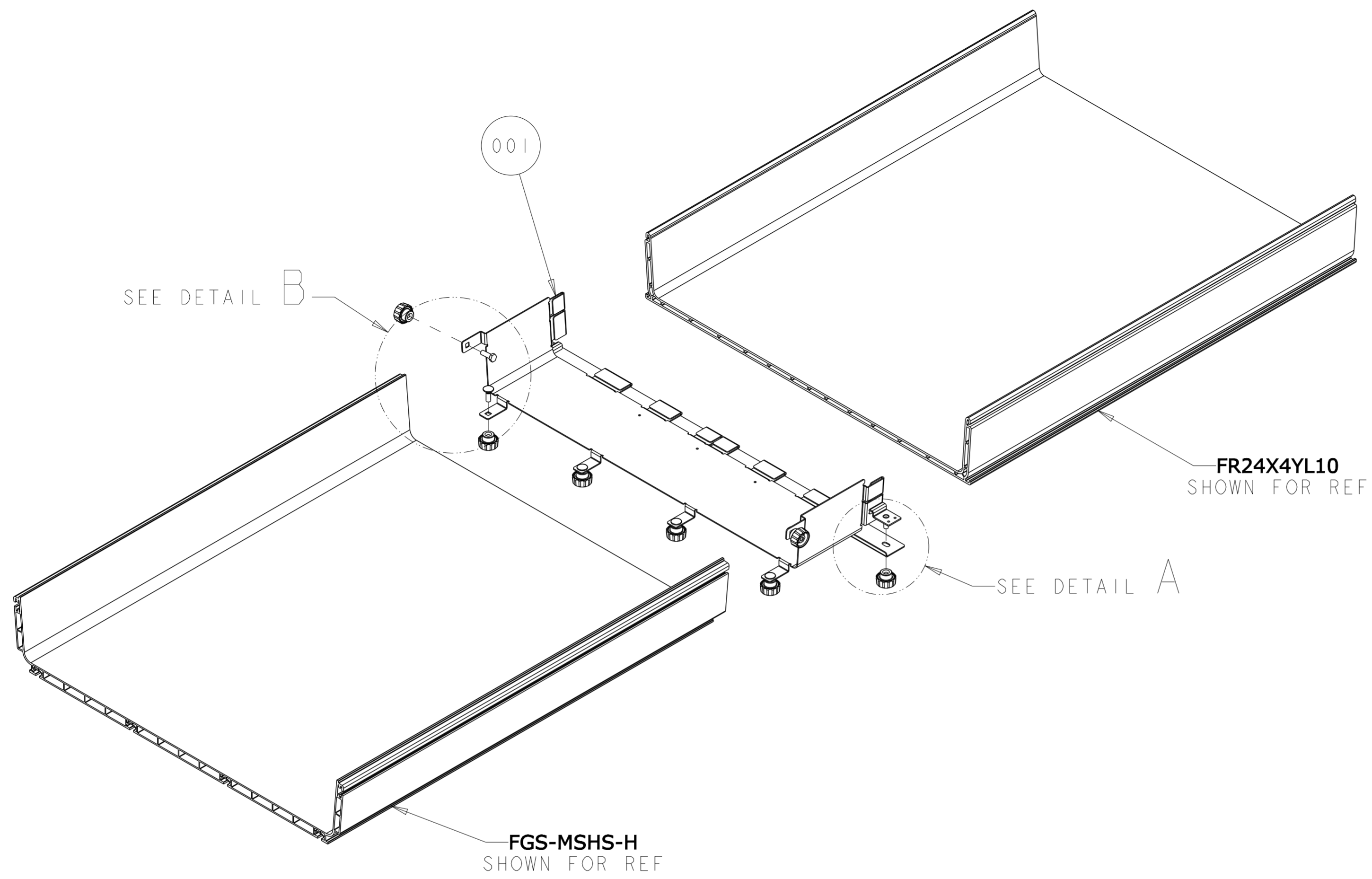


REVISIONS			
REV	CMO	DATE	APPROVED
A	40180421CMO	27-OCT-2023	LLBV



COMPONENT LIST		
F/N	DESCRIPTION	QTY
001	ADAPTER 24IN FGS TO PANDUIT	1
002	LOCKING BRACKET, 24" FGS TO PANDUIT	2
003	PLASTIC QUICK KNOB	8
004	ROUND HEAD BOLT, 1/4-20 X 3/4 L	4
005	HEX HEAD SCREW 1/4-20 X 3/4 L	2

CATALOG NUMBER: FGS-ACC158

COMMSCOPE, INC.			
DRAFTER LUIS BALANDRAN		TITLE INST DRW, 24IN FGS 24IN PANDUIT ADPTR KIT	
ENGINEER RUBEN ARVILLA	SIZE A2	SCALE 1/5	DOCUMENT NO. 660106141
CUSTOMER DRAWING			REVISION A
			SHEET 1 OF 1