



FACT® Fiber Optic High Density Patch Chassis, gray, 1E high, 72-port, singlemode, holding 2 hinged trays loaded with LC adapterpacks to be used with 1.6 mm duplex patch cords

- Designed for use with the all-purpose all-front-access FACT frames and FIST-GR3 frames supporting up to 2,688 LC or 1,344 SC connections in a single frame (FACT-IC frame 2880 LC or 1440 SC)
- Reduced installation and maintenance time via the toolless snap-on design supporting both interconnect and cross-connect applications
- Flexible customization enabled by 4 chassis types (patch-only, patch-splice, pre-cabled and splice-only) to support all ODF applications
- High density through the single FACT element height (1E) being 30% less tall compared to the industry standard panel height (1HU)

## Product Classification

<b>Regional Availability</b>	Asia   Australia/New Zealand   EMEA   Latin America   North America
<b>Portfolio</b>	CommScope®
<b>Product Type</b>	Fiber patch chassis
<b>Product Brand</b>	FACT®
<b>Product Series</b>	FACT

## General Specifications

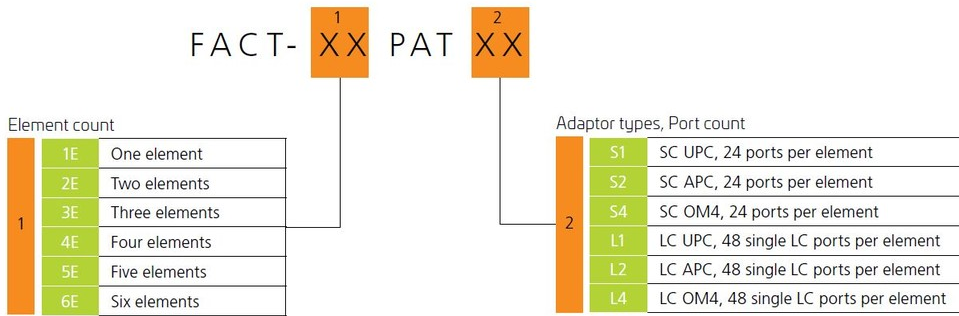
<b>Functionality</b>	Patching
<b>Application</b>	Compatible with FACT frames   Compatible with FIST-GR3-R frames when backplate is used (optional)
<b>Body Style</b>	Symmetrical
<b>Color</b>	Gray
<b>Growth Configuration</b>	Fully loaded
<b>Patch Cord Routing</b>	Left sided   Right sided
<b>Rack Type</b>	FACT
<b>Rack Units</b>	0.7
<b>Shelf Movement</b>	Sliding
<b>Total Ports, quantity</b>	72
<b>Transmission Standards</b>	ETSI EN 300 019-1-3   IEC 61300-3-30

## Dimensions

# 760253362 | FACT-1EPATHDLCD

<b>Height</b>	30.95 mm   1.219 in
<b>Width</b>	524 mm   20.63 in
<b>Depth</b>	283 mm   11.142 in

## Ordering Tree



## Optical Specifications

**Fiber Mode** Singlemode

## Environmental Specifications

**Operating Temperature** -40 °C to +70 °C (-40 °F to +158 °F)

**Storage Temperature** -20 °C to +85 °C (-4 °F to +176 °F)

**Flammability Rating** UL 94 V-0

## Packaging and Weights

**Included** Mounting hardware for FACT frame

**Packaging quantity** 1