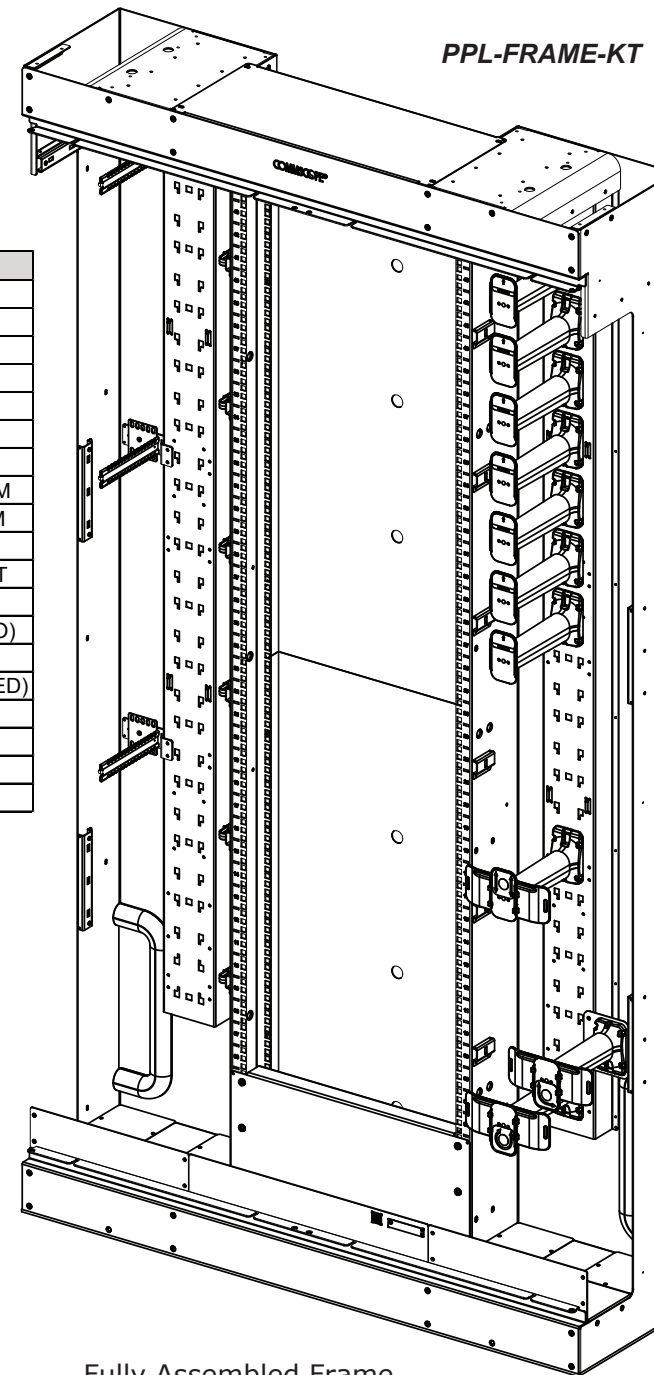




## Propel XFrame™

PPL-FRAME-KT

PARTS LIST	
QUANTITY	DESCRIPTION
1	THIS DOCUMENT
1	INSTALLATION DRAWING
1	INSTALLATION TEMPLATE
1	19" RACK
2	ANCHOR BOLTS (2 PACK)
1	HARDWARE BAG
1	RIGHT CABLE MANAGER ASM
1	LEFT CABLE MANAGER ASM
2	REAR COVER
2	CENTER TROUGH BRACKET
1	CENTER TROUGH
1	TOP DOOR SUPPORT (LOGO)
1	BOTTOM DOOR SUPPORT
2	DOOR ASSEMBLY (IF ORDERED)
10	RADIUS LIMITER SPOOL
3	SPOOL CABLE RETAINER
1	SPOOL LABELS SHEET
8	CABLE CLIP



Fully Assembled Frame without Side Panels or Doors



**SAFETY WARNING:** Rack/Frame is unstable until mounted to floor AND ceiling or wall. Support as needed until fully installed.

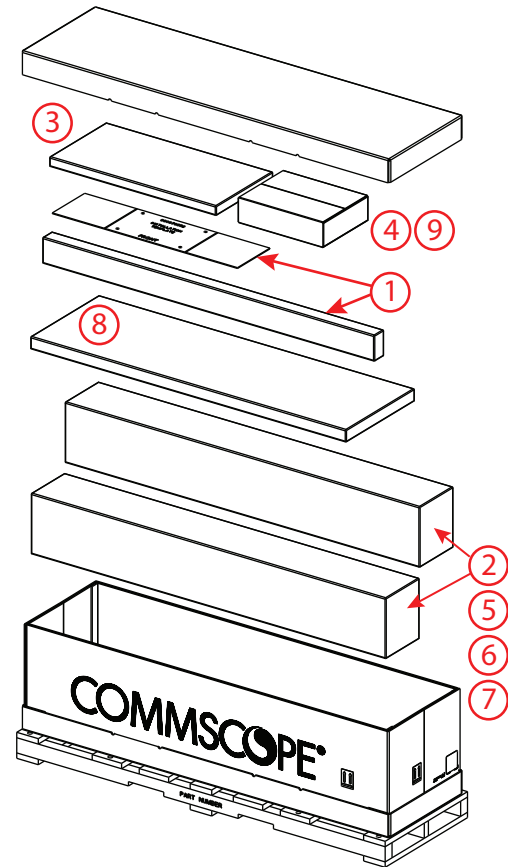
1

### Unpacking Frame Kit Contents

Remove the top tray of the container. Take out the boxed items and floor mounting template.

Unbox the items as needed. Numbers in the view at the right correspond to the assembly steps of the Propel XFrame Installation Drawing (6601063115) and Step 2 below.

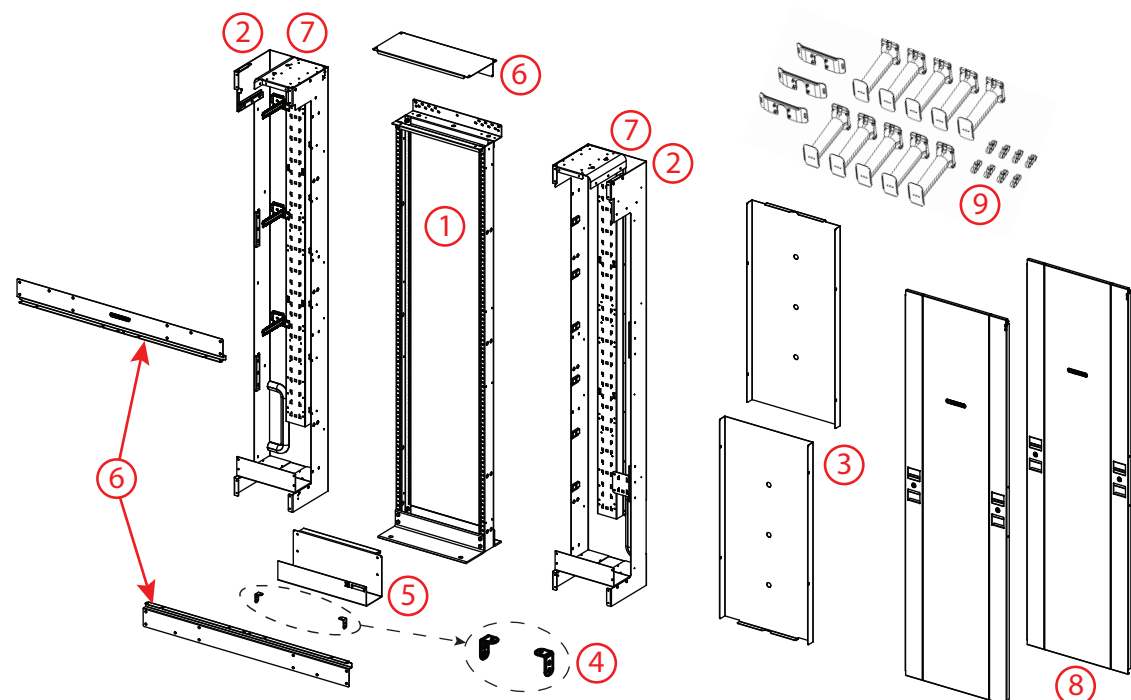
Check the Parts List to ensure all items are present. Recycle packaging.



2

### Assembling and Installing Frame

Follow the Installation Drawing instructions. Numbers in the view below correspond to the assembly steps of the document.



3

### Mounting and Populating Panels on Frame

Mount panels on frame. Populate with Propel connection components and cables for your network application.

For detailed instructions, refer to the Propel Front Access Panels Quick Start Guide shipped with panels, or the online XFrame User Manual.



**NOTE:** Best practice is to install the bottom panel first and progress towards the top of the frame.

4

### Routing Entry Cables and Patch Cords in Frame

Generic cable routing paths are shown at the right.

Recommended Cable Attachment bracket for each entry cable depends on the entry opening used (top or bottom) and the panel location in the frame. See Cable Entry Diagrams on next page.

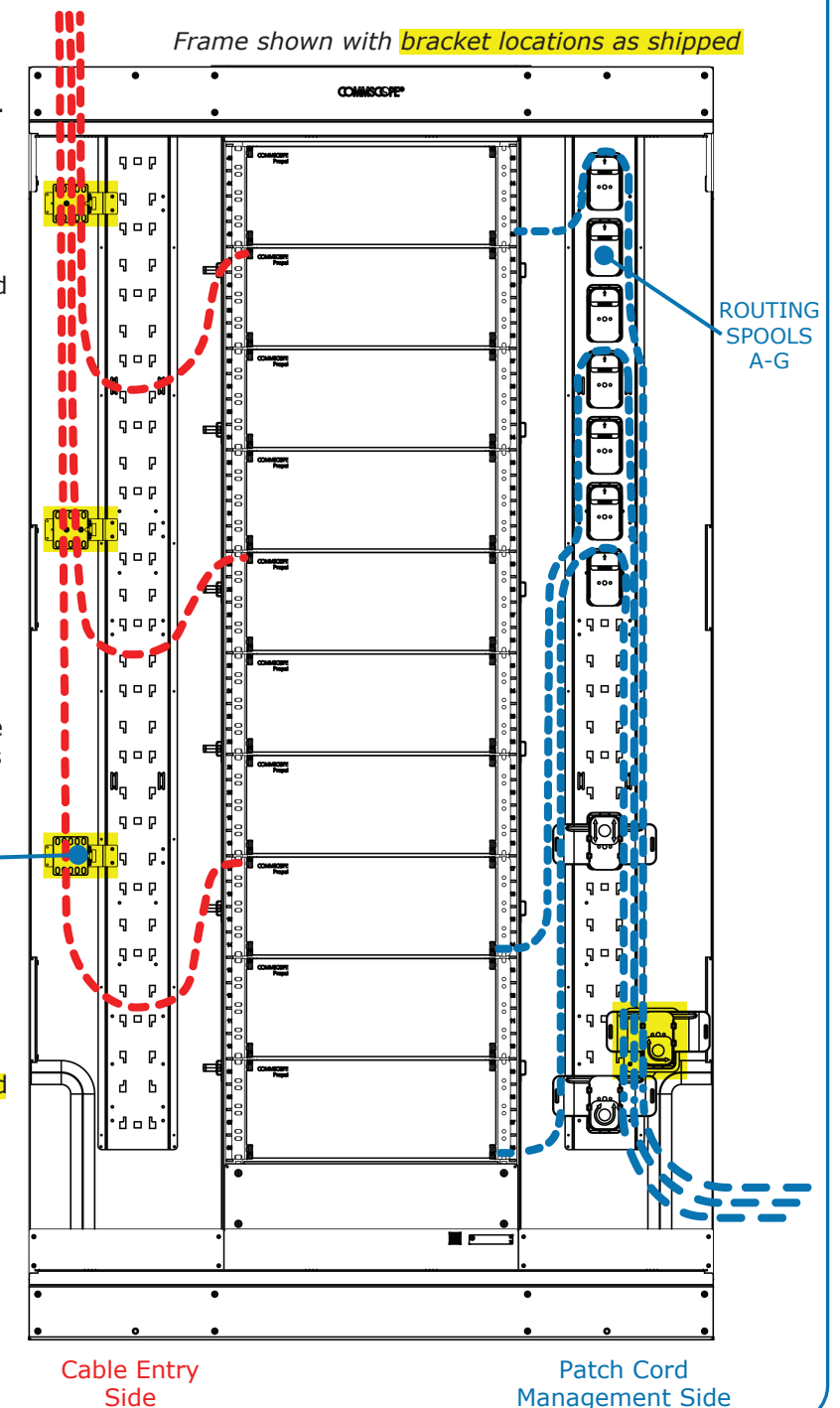
Recommended Routing spool for each patch cord depends on the panel type and patch location in the frame. See patch cord routing guidance for single or multiple Frames on next page.

Frame shown with **bracket locations as shipped**

CABLE ATTACHMENT BRACKET



**NOTE:** For mirrored configuration, remove highlighted brackets and re-install on opposite side. Install spools and clips in mirrored positions from shown. Refer to Side-by-Side Use diagram on next page for guidance.

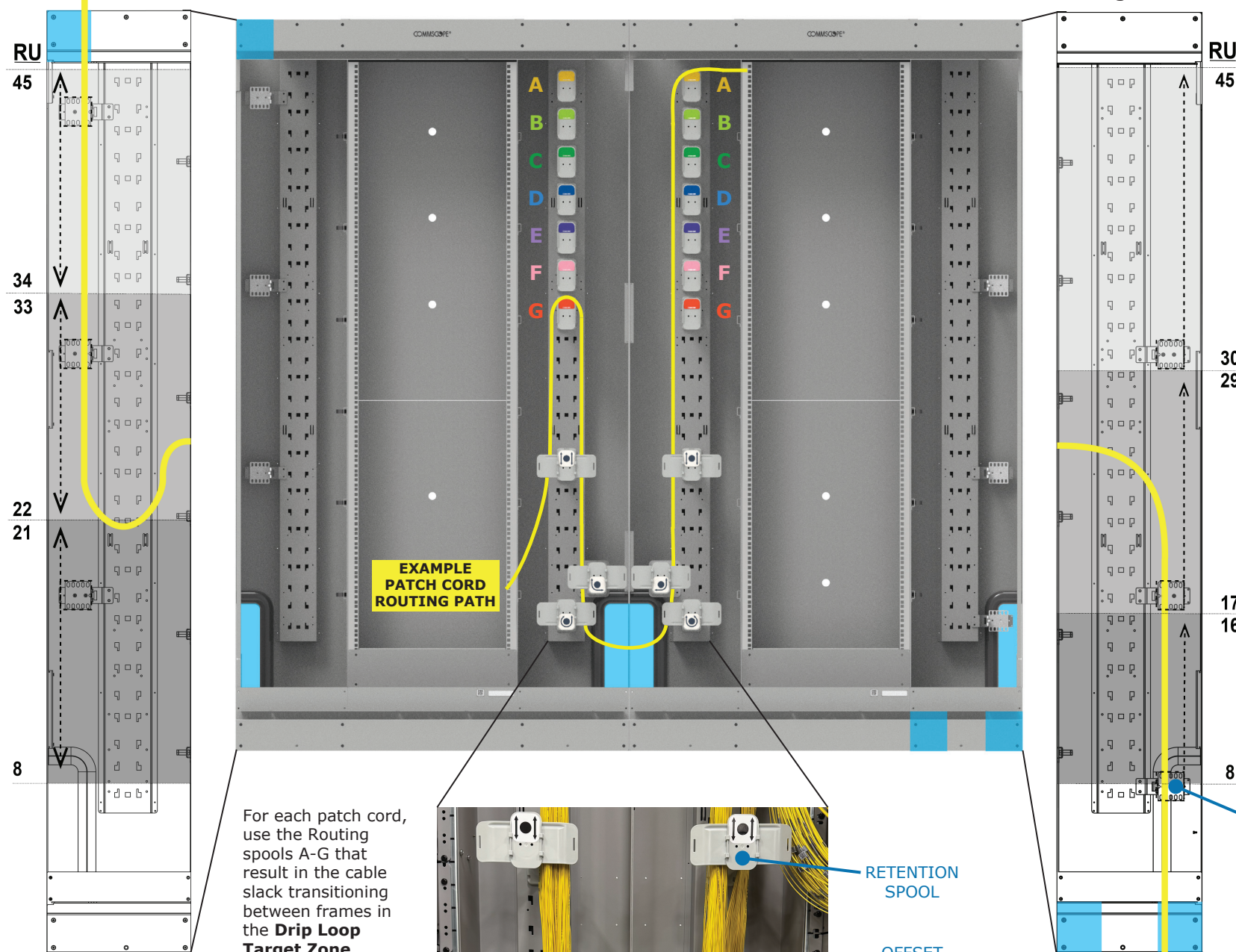


Frame Use Cases and Accessories

TOP Cable Entry Diagram

Side-by-Side, Back-to-Back, or Lineup Use

BOTTOM Cable Entry Diagram



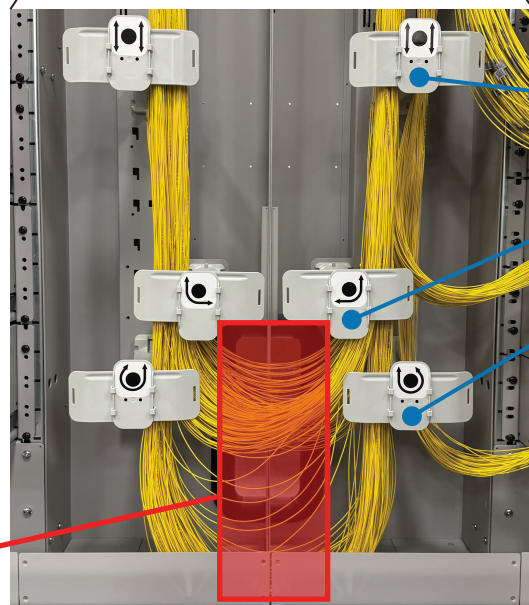
For each patch cord, use the Routing spools A-G that result in the cable slack transitioning between frames in the **Drip Loop Target Zone**.

Detailed **Cable Routing Diagrams** for each Propel Front Access Panel configuration can be found in the XFrame User Manual. Scan the QR code to access.

**NOTE:**

Shaded zones and dashed arrows in the Cable Entry Diagrams show which cable bracket to use based on panel entry RU.

**DRIP LOOP TARGET ZONE**



RETENTION SPOOL  
OFFSET SPOOL  
RETURN SPOOL

**NOTE:**

Recommended cable routings are based on **5 meter** patch cord length.

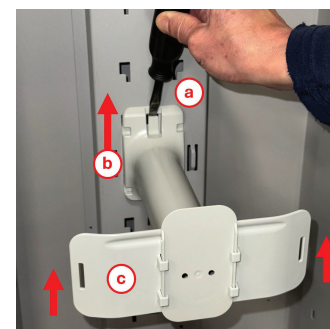
**Cable Entry, Exit, and Pass-Through Locations**



TOP TROUGH ACCESSORY KIT  
**PPL-FRAME-TROUGH-KIT**

Secure each entry cable to a cable bracket using zip-ties, hook-and-loop straps, or other fastening method. Refer to the Top/Bottom Cable Entry diagrams at the left for guidance.

SPLICE TRAYS ACCESSORY KIT  
**FOST-ACC-D-TRAY-RR-288-KIT**

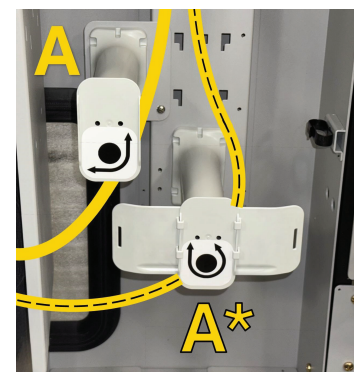


To remove a radius limiter spool, (a) use a flathead screwdriver to deflect the rear tab forward, and (b) lift up and out to free the spool from its mounting slots.

To remove a cable retainer attachment, (c) lift from both sides of the plate until freed from spool tracks.

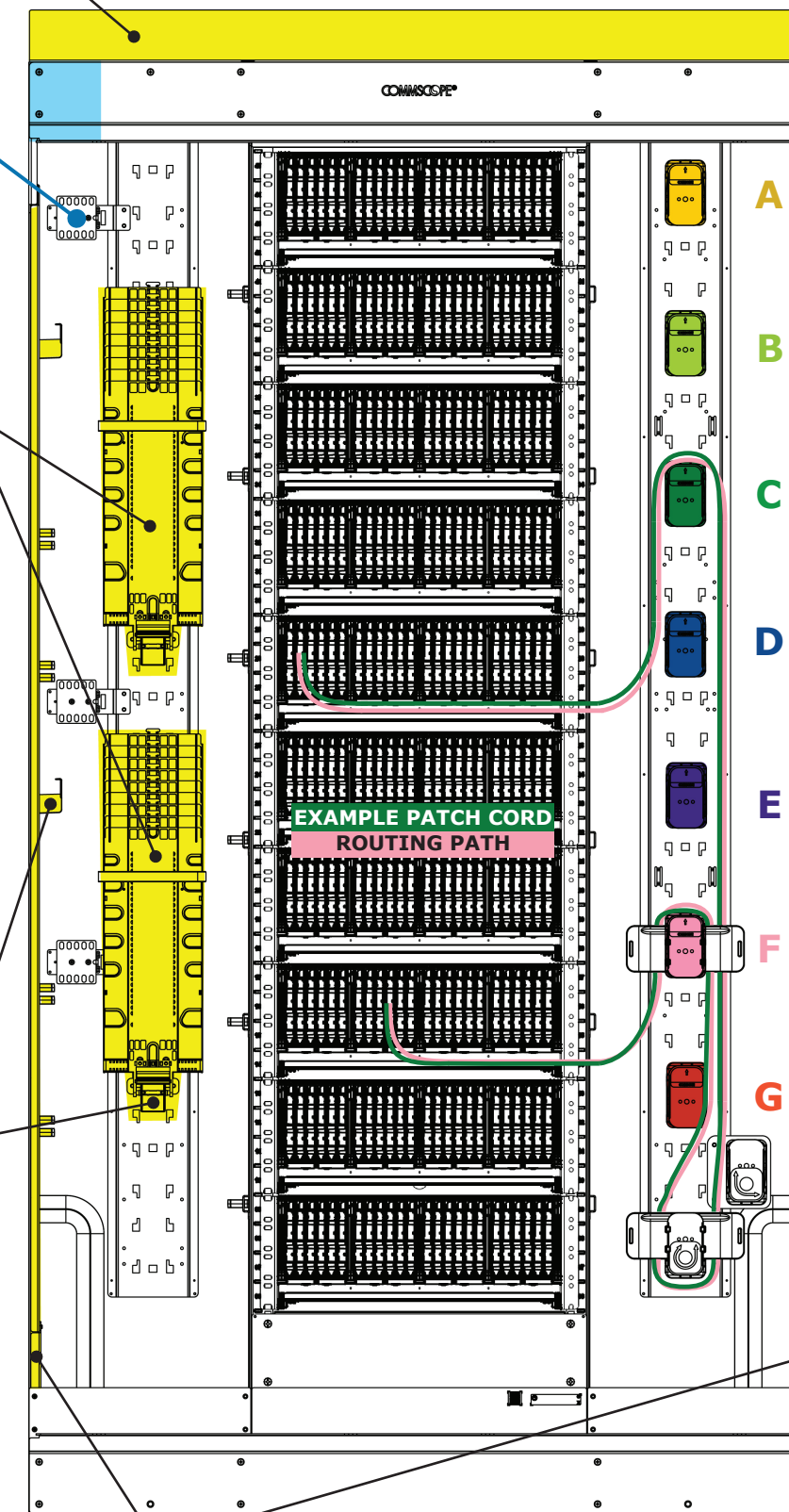
TOP CABLE BRACKET MOVED HERE

SPLICE ACCESSORY KIT  
**PPL-FRAME-SPLC-KIT**



Patch cords using Routing spool 'A' can be routed around the Return spool, if the Offset spool does not accommodate all slack.

Stand-Alone Frame Use



SIDE PANELS ACCESSORY KIT  
**PPL-FRAME-SDPNL-KIT**

**Propel XFrame Accessories (Optional & Sold Separately)**

**NOTE:**

For stand-alone frame applications, redistribute the spools A-G as shown above. Use the dedicated Return spool, or spools B-G, to accommodate patch cord slack within frame.