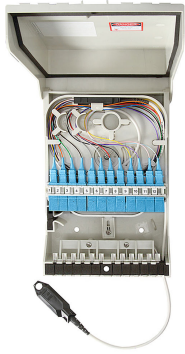


RDT-SM12K00P2139A



RapidFiber® Mini-RDT Distribution Terminal, 12-fiber, LC/UPC, plenum cable, 700 ft

- Designed to provide a quick and simple solution for installing fiber in small and medium sized MDU's
- Incorporates a unique fiber cable spooling system that stores up fiber cable within the enclosure
- Removes the need for field termination and extensive site survey inspections

OBSOLETE

Product Classification

| | |
|------------------------------|-----------------------------|
| Regional Availability | North America |
| Product Type | Fiber distribution terminal |
| Product Brand | RapidFiber® |
| Product Series | Mini-RDT |

General Specifications

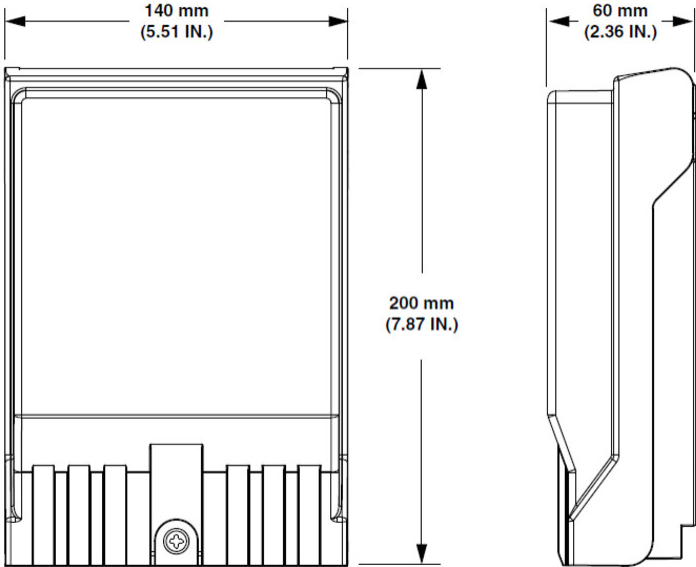
| | |
|-----------------------------|----------------------------|
| Adapters, quantity | 6 |
| Cable Entry Location | Bottom left Bottom right |
| Cable Type | Plenum - Stranded |
| Color | Gray |
| Interface | LC/UPC |
| Interface, stub | MPO |
| Mounting | Wall |
| Port, quantity | 12 |

Dimensions

| | |
|-----------------------------|-------------------|
| Height | 200 mm 7.874 in |
| Width | 140 mm 5.512 in |
| Depth | 60 mm 2.362 in |
| Cable Length | 213.36 m 700 ft |
| Outer Cable Diameter | 3 mm 0.118 in |

RDT-SM12K00P2139A

Dimension Drawing



Ordering Tree

RDT-SM12K00P2139A

RDT - S M XX X 0 0 X XXX X X

Enclosure type

| | |
|---|------------------|
| M | 12 Fiber plastic |
|---|------------------|

Cable count

| | |
|----|----|
| 04 | 4 |
| 08 | 8 |
| 12 | 12 |

Connector type

| | |
|---|---------|
| J | SC/APC |
| K | LC/U/PC |
| L | LC/APC |
| N | SC/U/PC |

Cable type

| | |
|---|---|
| D | Indoor/outdoor 3.6mm black |
| P | 3mm loose tube ivory plenum (zipcord for 24 fibers) |

Stubbed end configuration

| | |
|---|---------------|
| A | MPO connector |
| O | No connector |

Fanout

| | |
|---|---------|
| 1 | SC/U/PC |
| 2 | SC/APC |
| 3 | LC/U/PC |
| 4 | LC/APC |

Enclosure end configuration

| | |
|---|------------------|
| 9 | 900µm - standard |
|---|------------------|

Cable Length (Plenum)

| | |
|-----|-------------------|
| 030 | 30 meters (100') |
| 061 | 61 meters (200') |
| 092 | 92 meters (300') |
| 122 | 122 meters (400') |
| 152 | 152 meters (500') |
| 183 | 183 meters (600') |

Cable Length (Indoor/Outdoor)

| | |
|-----|-------------------|
| 015 | 15 meters (50') |
| 030 | 30 meters (100') |
| 045 | 45 meters (150') |
| 061 | 61 meters (200') |
| 076 | 76 meters (250') |
| 092 | 92 meters (300') |
| 107 | 107 meters (350') |
| 122 | 122 meters (400') |
| 137 | 137 meters (450') |
| 152 | 152 meters (500') |
| 168 | 168 meters (550') |
| 183 | 183 meters (600') |
| 198 | 198 meters (650') |

Material Specifications

Material Type Plastic

Optical Specifications

Fiber Mode Singlemode

Environmental Specifications

Environmental Space Indoor

Packaging and Weights

Packaging quantity 1