

FL1-J9777778-1010H



FL1000 Fiber Wall Box, 2-door, singlemode SC/UPC, 48-ports, with ribbon pigtails and splice tray, 1 cable clamp, 1 grounding kit, 1 key lock

- Ideal for small to medium fiber counts within communication rooms or closets at customer sites
- Provides demarcation access for the telecom carrier and the end-user by way of separate compartments
- Guarantees mechanical protection and fiber management for indoor and outdoor cable
- Fully customizable for patch-patch, splice-patch or for the storage of un-terminated (dark) fibers

OBSOLETE

This product was discontinued on: November 13, 2019

Product Classification

Regional Availability	North America
Product Type	Fiber wall box
Product Series	FL1000

General Specifications

Functionality	Patching Splicing
Application	Patching Splicing
Adapter Packs Included, quantity	8
Adapters, quantity	48
Cable Clamps, quantity	1
Cable Entry Location	Bottom left Bottom right Top left Top right
Cable Type	Pigtails - Stranded
Color	Putty white
Door, quantity	2
Front Door Type	Single hinged
Growth Configuration	Fully loaded
Interface	SC/UPC
Lock Type	Key lock
Mounting	Wall
Splicing Type	Mass fusion, ribbon

FL1-J9777778-1010H

Total Fibers, quantity 48

Total Ports, quantity 48

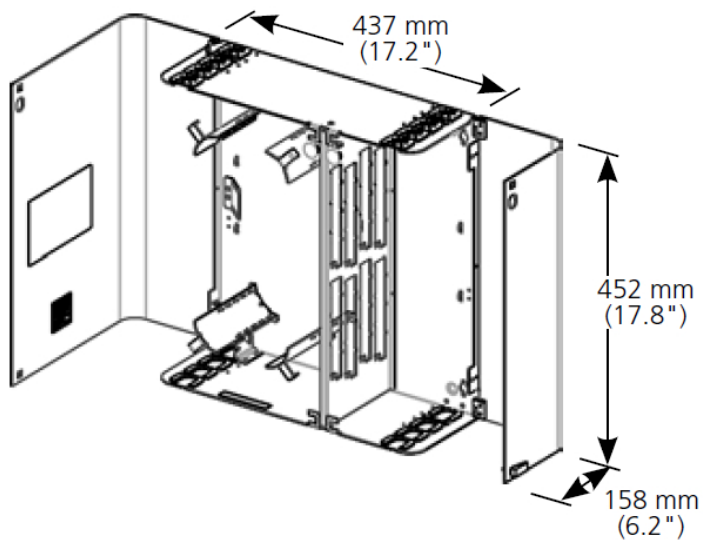
Dimensions

Height 708 mm | 27.874 in

Width 669 mm | 26.339 in

Depth 235.97 mm | 9.29 in

Outline Drawing



Material Specifications

Finish Powder coated

Material Type Steel

Optical Specifications

Fiber Mode Singlemode

Environmental Specifications

Environmental Space Indoor

Qualification Standards NEMA type 12

FL1-J9777778-1010H

Packaging and Weights

Included	One grounding kit
Packaging quantity	1
Packaging Type	Bag Carton

Regulatory Compliance/Certifications

Agency	Classification
CHINA-ROHS	Below maximum concentration value
REACH-SVHC	Compliant as per SVHC revision on www.commscope.com/ProductCompliance
ROHS	Compliant
UK-ROHS	Compliant

