

FD4S-B288S00JDB3



FDH 4000, 288 distribution fibers, no splitters loaded, LC/APC, dielectric, loose tube, 100 ft stub, distribution cable all 288f stub and input cable 48 fiber

- Thermoplastic construction provides UV stabilization, flame retardancy, and chemical & impact resistance
- Provides air/water tight seal ensuring protection from flooding and fungus
- Unsurpassed reliability makes it ideal for aerial and below grade applications
- Supports diverse Plug-and-Play splitter and xWDM module Configurations

Product Classification

Regional Availability	Asia Australia/New Zealand EMEA Latin America North America
Product Type	Fiber distribution closure
Product Series	FDH 4000

General Specifications

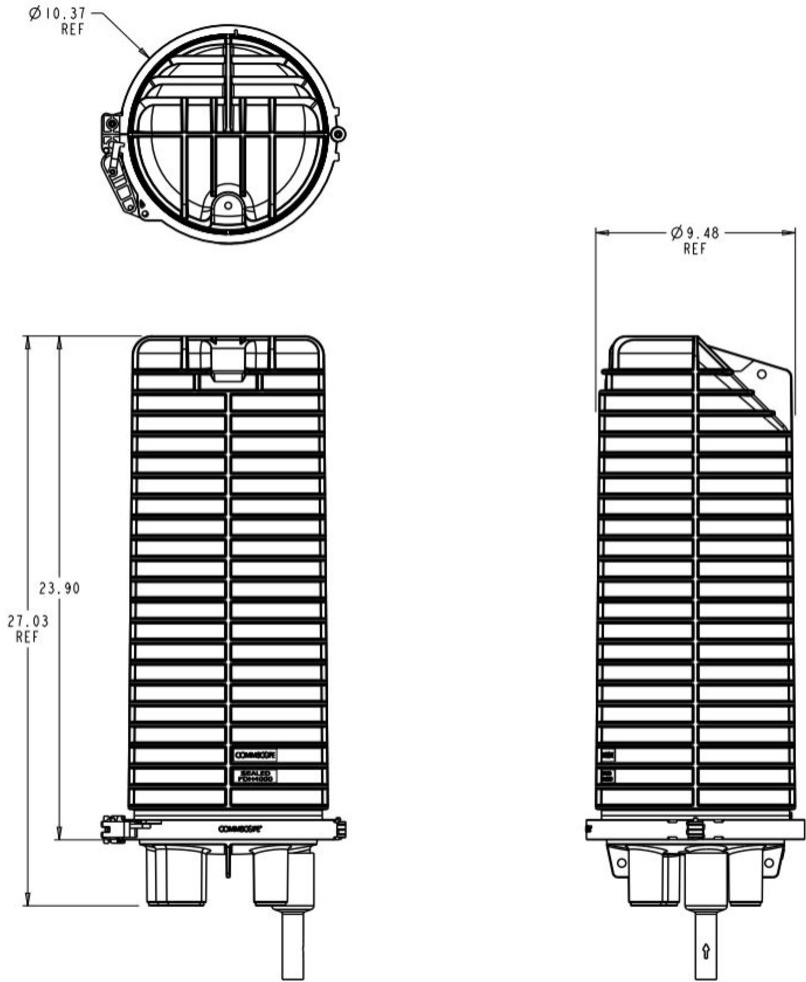
Access	Front
Cable Type	Dielectric - Loose Tube
Color	Black
Distribution Ports, quantity	288
Fibers per Feeder Cable, quantity	48
Interface, Input	LC
Interface Feature, Input	APC
Mounting	Handhole Pole Wall
Splitter Slots, quantity	9

Dimensions

Height	812.8 mm 32 in
Width	241.3 mm 9.5 in
Cable Length	30.48 m 100 ft
Enclosure Size	Small

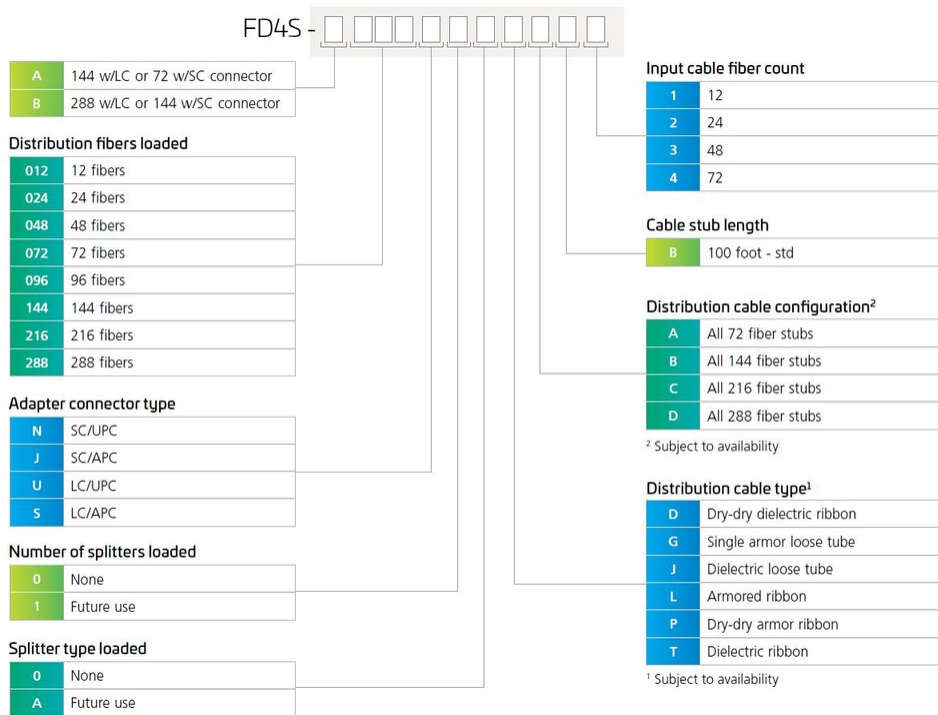
Dimension Drawing

FD4S-B288S00JDB3



Ordering Tree

FD4S-B288S00JDB3



Environmental Specifications

Environmental Space

Above ground | Aerial | Below ground

Qualification Standards

IEC 60529, IP68 | Telcordia GR-3121-CORE | Telcordia GR-3125-CORE

Packaging and Weights

Packaging quantity

1

Packaging Type

Pallet

Weight, net

15.876 kg | 35 lb

Regulatory Compliance/Certifications

Agency

Classification

CHINA-ROHS

Above maximum concentration value

REACH-SVHC

Compliant as per SVHC revision on www.commscope.com/ProductCompliance

ROHS

Compliant/Exempted

UK-ROHS

Compliant/Exempted

