

# DFJ-2S5A-N

---



HELIAX® Discrete, 2 single mode fiber, 5 mm armored LSZH cable. End 1: DLC. End 2: DLC

## Product Classification

<b>Regional Availability</b>	Asia   Australia/New Zealand   EMEA   Latin America   North America
<b>Portfolio</b>	CommScope®
<b>Product Type</b>	Wireless Fiber Cable Assemblies
<b>Product Brand</b>	HELIAX®
<b>Product Series</b>	DFJ
<b>Ordering Note</b>	CommScope® non-standard product

## General Specifications

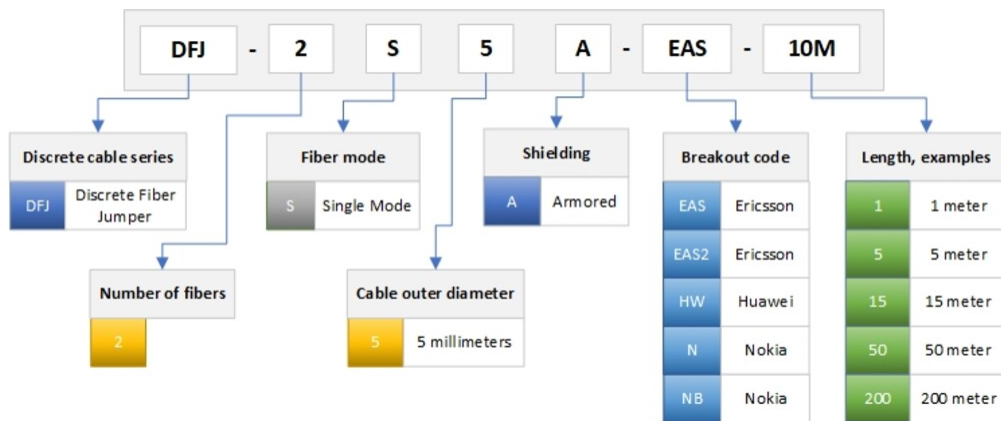
<b>Construction Type</b>	Discrete fiber tail
<b>Interface, Connector A</b>	DLC
<b>Interface Feature, connector A</b>	Weather boot
<b>Interface Body Style, connector A</b>	Straight
<b>Interface, Connector B</b>	DLC
<b>Interface Body Style, connector B</b>	Straight
<b>Jacket Color</b>	Black
<b>Total Fibers, quantity</b>	2

## Dimensions

<b>Cable Assembly Length Range (m)</b>	1 – 200
<b>Diameter Over Jacket</b>	5 mm   0.197 in

## Ordering Tree

# DFJ-2S5A-N



## Material Specifications

**Jacket Material** Low Smoke Zero Halogen (LSZH)

## Optical Specifications

**Fiber Mode** Singlemode

**Fiber Type** G.657.A2

**Insertion Loss, typical note** Insertion loss is measured at 1310 and 1550 nm

**Insertion Loss, typical** 0.5

## Environmental Specifications

**Operating Temperature** -20 °C to +70 °C (-4 °F to +158 °F)

**Environmental Space** Low Smoke Zero Halogen (LSZH)

## Packaging and Weights

**Cable weight** 35 kg/km | 23.519 lb/kft

## Regulatory Compliance/Certifications

Agency	Classification
ISO 9001:2015	Designed, manufactured and/or distributed under this quality management system

## \* Footnotes

**Insertion Loss, typical note** Insertion loss is measured at a room temp of +20°C (+68°F)