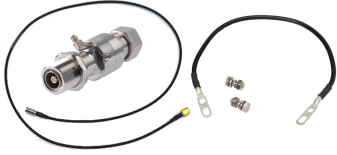


ATBTK-MF-4G



Bias Tee Kit, AISG Compatible 698 - 2700 MHz

OBSOLETE

This product was discontinued on: June 1, 2017

Product Classification

Product Type RET bias tee

General Specifications

Antenna Interface 7-16 DIN Female

BTS Interface 7-16 DIN Male

Dimensions

Height 128 mm | 5.039 in

Width 1,031.2 mm | 40.598 in

Depth 40.6 mm | 1.598 in

Packaging and Weights

Weight, net 0.6 kg | 1.323 lb

Regulatory Compliance/Certifications

Agency

ISO 9001:2015

Classification

Designed, manufactured and/or distributed under this quality management system



Included Products

- | | | |
|----------------|---|--|
| ABT-BDFDM-DBT | - | AISG dc 2.1 Dual Band Bias Tee Surge Arrestor (Cylindrical), 698-2700 MHz, with interface types DIN Female Bulkhead and DIN Male |
| C100-PSMSB-12M | - | CNT-100 CNT® Jumper with interface types SMA Male and SMB Male, 12 m |

ABT-BDFDM-DBT



AISG dc 2.1 Dual Band Bias Tee Surge Arrestor (Cylindrical), 698-2700 MHz, with interface types DIN Female Bulkhead and DIN Male

- AISG dc 2.1 bias tee passes both dc and 2.176 MHz subcarrier

Product Classification

Product Type	Surge arrestor
Ordering Note	CommScope® non-standard product

General Specifications

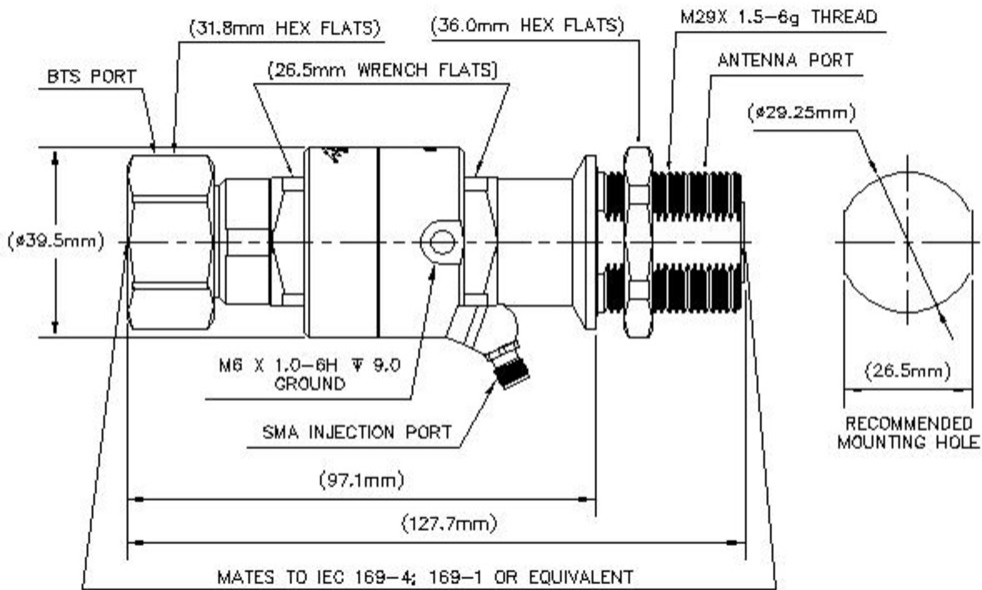
Antenna Interface Signal	AISG RF dc
Body Style	Bulkhead
BTS Interface Signal	RF dc Blocked
Injector Port Interface	SMA Female
Injector Port Interface Signal	AISG dc
Inner Contact Plating	Silver
Interface	7-16 DIN Female Bulkhead
Interface 2	7-16 DIN Male
Outer Contact Plating	Trimetal
Pressurizable	No

Dimensions

Height	40 mm 1.575 in
Width	40 mm 1.575 in
Length	128 mm 5.039 in

Outline Drawing

ABT-BDFDM-DBT



Electrical Specifications

3rd Order IMD	-116 dBm
3rd Order IMD Test Method	Two +43 dBm carriers
Insertion Loss, typical	0.1 dB
Average Power at Frequency	250.0 W @ 1,910 MHz 500.0 W @ 833 MHz
Connector Impedance	50 ohm
dc Injector Port Inner Contact Plating	Gold
Injector Port to Antenna Isolation, minimum	-70 dB
Lightning Surge Capability	10 times @ 6 kA
Lightning Surge Capability Test Method	IEEE C62.42-1991
Lightning Surge Capability Waveform	8/20 waveform
Lightning Surge Current	6 kA
Lightning Surge Current Waveform	8/20 waveform
Operating Frequency Band	698 – 806 MHz 806 – 2700 MHz
Throughput Current, typical	1 A
Throughput Energy at Current	1.0 μJ @ 2 kA
Throughput Energy Waveform	8/20 waveform
Voltage Range	-30 V to 30 V

ABT-BDFDM-DBT

VSWR/Return Loss

Frequency Band	VSWR	Return Loss (dB)
698–806 MHz	1.13	24.29
806–2700 MHz	1.106	25.96

Mechanical Specifications

Attachment Durability	25 cycles
Coupling Nut Proof Torque	220 in lb 24.857 N-m
Coupling Nut Retention Force	1,000.85 N 225 lbf
Coupling Nut Retention Force Method	MIL-C-39012C-3.25, 4.6.22
Interface Durability	500 cycles
Interface Durability Method	IEC 61169-16:9.5
Mechanical Shock Test Method	MIL-STD-202F, Method 213B, Test Condition C

Environmental Specifications

Operating Temperature	-40 °C to +85 °C (-40 °F to +185 °F)
Storage Temperature	-40 °C to +85 °C (-40 °F to +185 °F)
Attenuation, Ambient Temperature	20 °C 68 °F
Average Power, Ambient Temperature	40 °C 104 °F
Corrosion Test Method	MIL-STD-202, Method 101, Test Condition B
Immersion Depth	1 m
Immersion Test Mating	Mated
Immersion Test Method	IEC 60529:2001, IP68
Moisture Resistance Test Method	MIL-STD-202, Method 106
Thermal Shock Test Method	MIL-STD-202, Method 107, Test Condition A-1, Low Temperature -55 °C
Water Jetting Test Mating	Mated
Water Jetting Test Method	IEC 60529:2001, IP66

Packaging and Weights

Weight, net	0.599 kg 1.32 lb
--------------------	--------------------

Regulatory Compliance/Certifications

ABT-BDFDM-DBT

Agency

AISG
ISO 9001:2015



Classification

Compliant
Designed, manufactured and/or distributed under this quality management system

* Footnotes

- Insertion Loss, typical** 0.05√freq (GHz) (not applicable for elliptical waveguide)
- Immersion Depth** Immersion at specified depth for 24 hours

C100-PSMSB-12M

CNT-100 CNT® Jumper with interface types SMA Male and SMB Male, 12 m



Product Classification

Product Type	Braided cable assembly
Product Brand	CNT®
Product Series	CNT-100

General Specifications

Body Style, Connector A	Straight
Body Style, Connector B	Straight
Cable Family	CNT-100
Interface, Connector A	SMA Male
Interface, Connector B	SMB Male
Specification Sheet Revision Level	A

Dimensions

Length	12 m 39.37 ft
Nominal Size	0.100 in

VSWR/Return Loss

Frequency Band	VSWR	Return Loss (dB)
700–3000 MHz	1.433	14.99

Jumper Assembly Sample Label

C100-PSMSB-12M



Regulatory Compliance/Certifications

Agency

ISO 9001:2015



Classification

Designed, manufactured and/or distributed under this quality management system