

CMAX-0-43-V53

Cell-Max™ Low PIM Omni In-building Antenna, 698–960 MHz and 1710–2700 MHz, 4.3-10

OBSOLETE

This product was discontinued on: January 31, 2018

Replaced By:

CMAX-0-43-UW-I53-01 CMAX™ Low PIM Omni Indoor Antenna, 617–5925 MHz

Product Classification

Product Type	In-building antenna
Product Brand	Cell-Max™

General Specifications

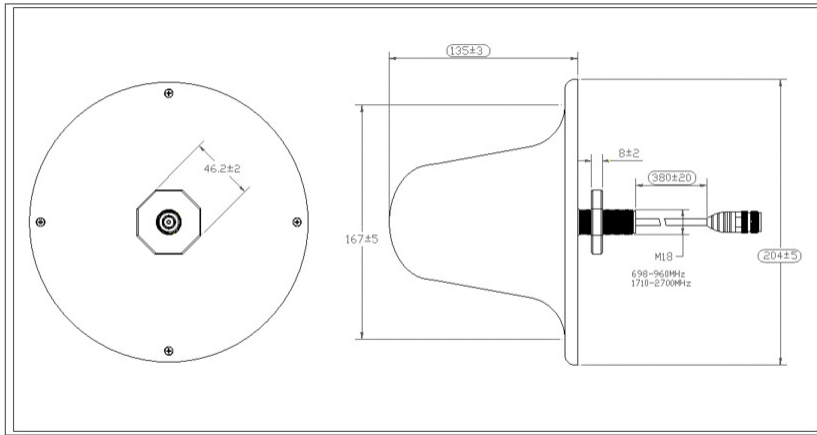
Application	Indoor
Antenna Type	Omni
Polarization	Vertical
Color	White
Mounting	Thru-hole ceiling mount (optional)
Pigtail Cable	670-141SXE, plenum rated
Radome Material	ABS
RF Connector Interface	4.3-10 Female

Dimensions

Height	135 mm 5.315 in
Pigtail Length	500 mm 19.685 in
Outer Diameter	204 mm 8.031 in

CMAX-0-43-V53

Outline Drawing



Electrical Specifications

Impedance	50 ohm
Operating Frequency Band	1710 – 2700 MHz 698 – 960 MHz

Electrical Specifications

Frequency Band, MHz	698–800	800–960	1710–2200	2200–2700
Gain, dBi	2	2	2.4	3.3
Beamwidth, Horizontal, degrees	360	360	360	360
Beamwidth, Vertical, degrees	48	48	35	35
VSWR Return loss, dB	1.5 14.0	1.5 14.0	1.5 14.0	1.5 14.0
PIM, 3rd Order, 2 x 20 W, dBc	-153	-153	-153	-153
Input Power per Port, maximum, watts	50	50	50	50

Environmental Specifications

Operating Temperature	-40 °C to +60 °C (-40 °F to +140 °F)
Relative Humidity	Up to 100%

Packaging and Weights

Height, packed	185 mm 7.283 in
Width, packed	180 mm 7.087 in
Length, packed	180 mm 7.087 in

CMAX-0-43-V53

Packaging quantity	1
Weight, gross	0.5 kg 1.102 lb
Weight, net	0.4 kg 0.882 lb

Regulatory Compliance/Certifications

Agency	Classification
ISO 9001:2015	Designed, manufactured and/or distributed under this quality management system