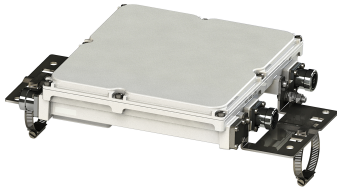


E11F01P65



Triplexer 790-862/880-960 & 1710-1880 & 1920-2170 MHz, dc bypass on all ports

- Industry leading PIM performance
- dc/AISG pass-through on all frequency ports
- Designed for network Modernization, introduction of LTE800 on existing site

OBSOLETE

This product was discontinued on: July 1, 2022

Product Classification

Product Type Triplexer

General Specifications

Product Family CBC8921

Color Gray

Common Port Label COM

Modularity 1-Single

Mounting Pole | Wall

Mounting Pipe Hardware Band clamps (2)

RF Connector Interface 7-16 DIN Female

RF Connector Interface Body Style Medium neck

Dimensions

Height 255 mm | 10.039 in

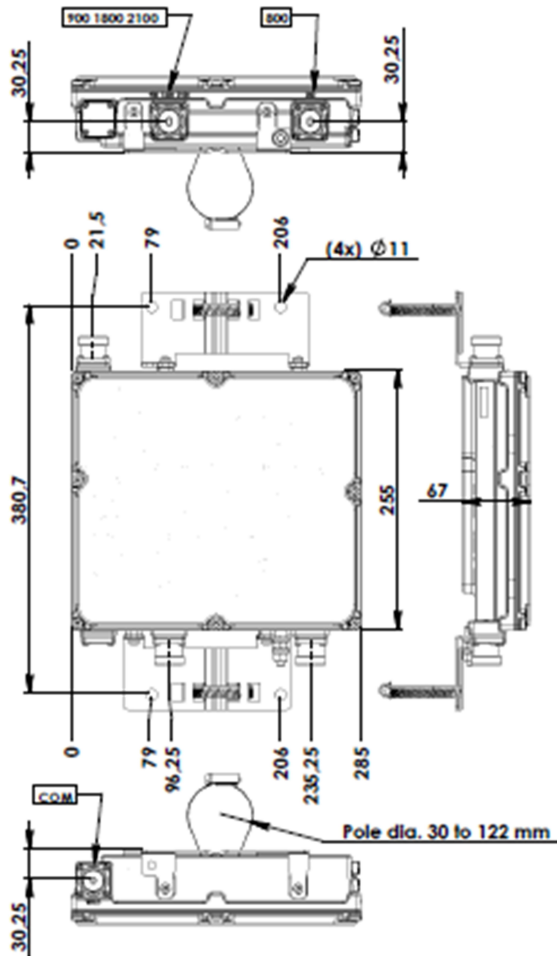
Width 285 mm | 11.22 in

Depth 67 mm | 2.638 in

Mounting Pipe Diameter Range 42.6–122 mm

E11F01P65

Outline Drawing



Electrical Specifications

Impedance	50 ohm
License Band, Band Pass	CEL 900 DCS 1800 EDD 800 IMT 2100

Electrical Specifications, dc Power/Alarm

dc/AISG Pass-through, combiner	Branch 1 Branch 2 Branch 3
dc/AISG Pass-through, demultiplexer	Branch 1 Branch 2 Branch 3
Lightning Surge Current	5 kA
Lightning Surge Current Waveform	8/20 waveform

E11F01P65

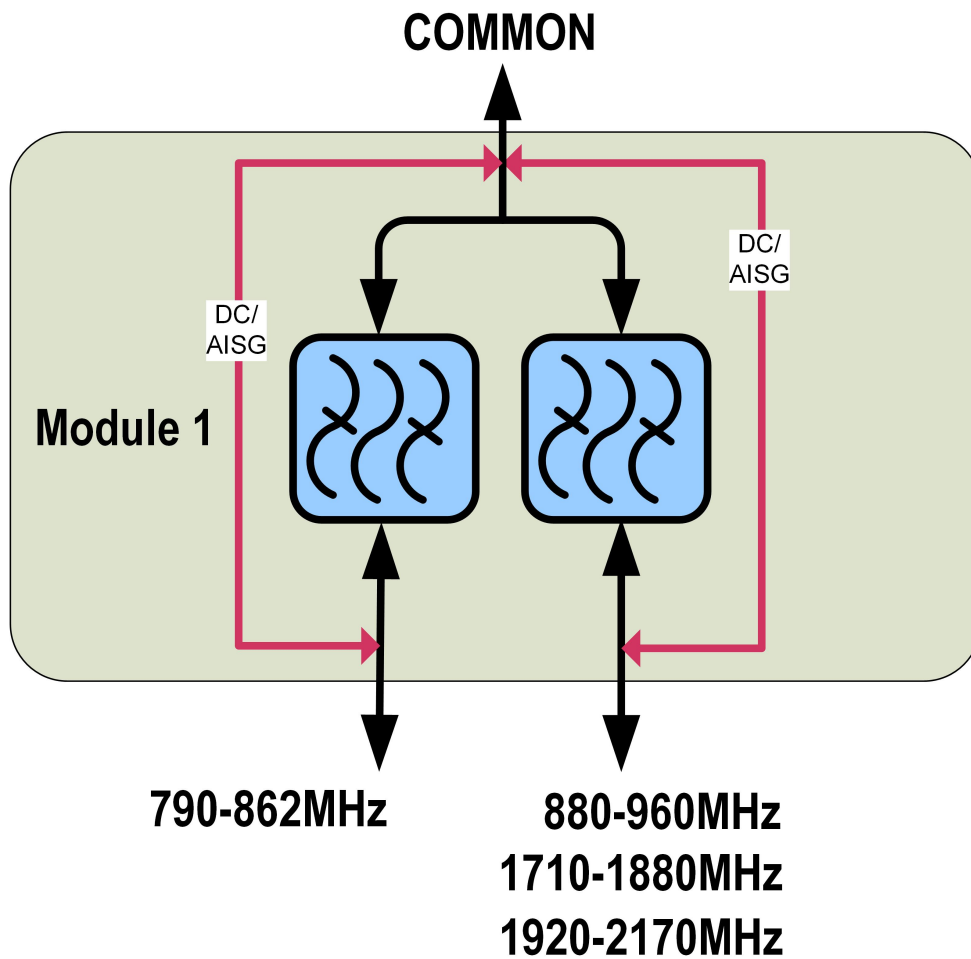
Electrical Specifications

Sub-module	1	1
Branch	1	2
Port Designation	800	900 1800 2100
License Band	EDD 800, Band Pass	CEL 900, Band Pass DCS 1800, Band Pass IMT 2100, Band Pass

Electrical Specifications, Band Pass

Frequency Range, MHz	790–862	880–960 1710–1880 1920–2170
Insertion Loss, maximum, dB	0.4	0.4
Return Loss, minimum, dB	21	21
Isolation, minimum, dB	50	50
3rd Order PIM, maximum, dBc	-160	-160
3rd Order PIM Test Method	Two +43 dBm carriers	Two +43 dBm carriers

Block Diagram



Environmental Specifications

Operating Temperature	-40 °C to +60 °C (-40 °F to +140 °F)
Relative Humidity	Up to 100%
Corrosion Test Method	IEC 60068-2-11, 30 days
Ingress Protection Test Method	IEC 60529:2001, IP67

Packaging and Weights

Included	Mounting hardware
Volume	4.9 L
Weight, net	6.5 kg 14.33 lb

Regulatory Compliance/Certifications

E11F01P65

Agency

ISO 9001:2015

**Classification**

Designed, manufactured and/or distributed under this quality management system