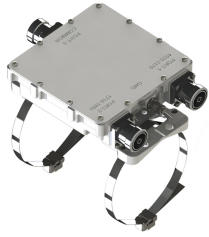


E11F05P96



Diplexer, DCS 1800/UMTS 2100, AISG compatible, dc pass on all ports

- Industry leading PIM performance
- Designed for network Modernization, introduction of LTE1800 on existing site
- Designed for network Modernization, introduction of UMTS2100 on existing site
- dc/AISG pass-through on all frequency ports

OBSOLETE

This product was discontinued on: July 1, 2022

Replaced By:

E14F06P32

Ultra Compact Single Diplexer 1350-1880/1920-2690, 4.3-10 connectors

Product Classification

Product Type Diplexer

General Specifications

Product Family CBC1821

Color Gray

Common Port Label PORT 3 COMMON

Modularity 1-Single

Mounting Pole | Wall

Mounting Pipe Hardware Band clamps (2)

RF Connector Interface 7-16 DIN Female

RF Connector Interface Body Style Long neck

Dimensions

Height 149 mm | 5.866 in

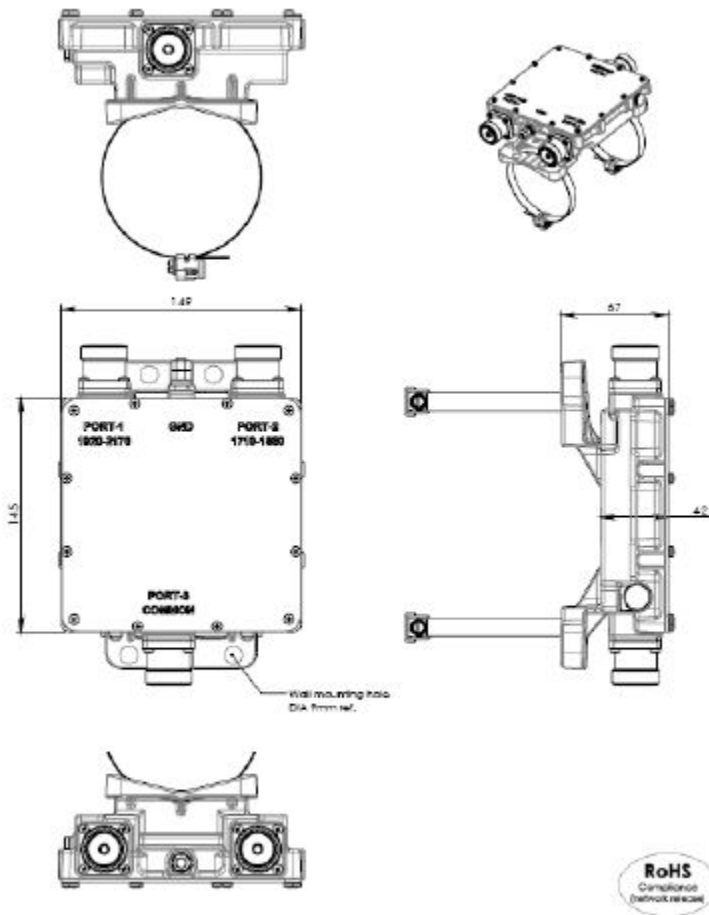
Width 145 mm | 5.709 in

Depth 42 mm | 1.654 in

Mounting Pipe Diameter Range 40–160 mm

E11F05P96

Outline Drawing



Electrical Specifications

Impedance	50 ohm
License Band, Band Pass	DCS 1800 IMT 2100

Electrical Specifications, dc Power/Alarm

dc/AISG Pass-through, combiner	Branch 1 Branch 2
dc/AISG Pass-through, demultiplexer	Branch 1 Branch 2
Lightning Surge Current	10 kA
Lightning Surge Current Waveform	8/20 waveform

Electrical Specifications, AISG

AISG Pass-through Current, maximum	3 A
---	-----

E11F05P96

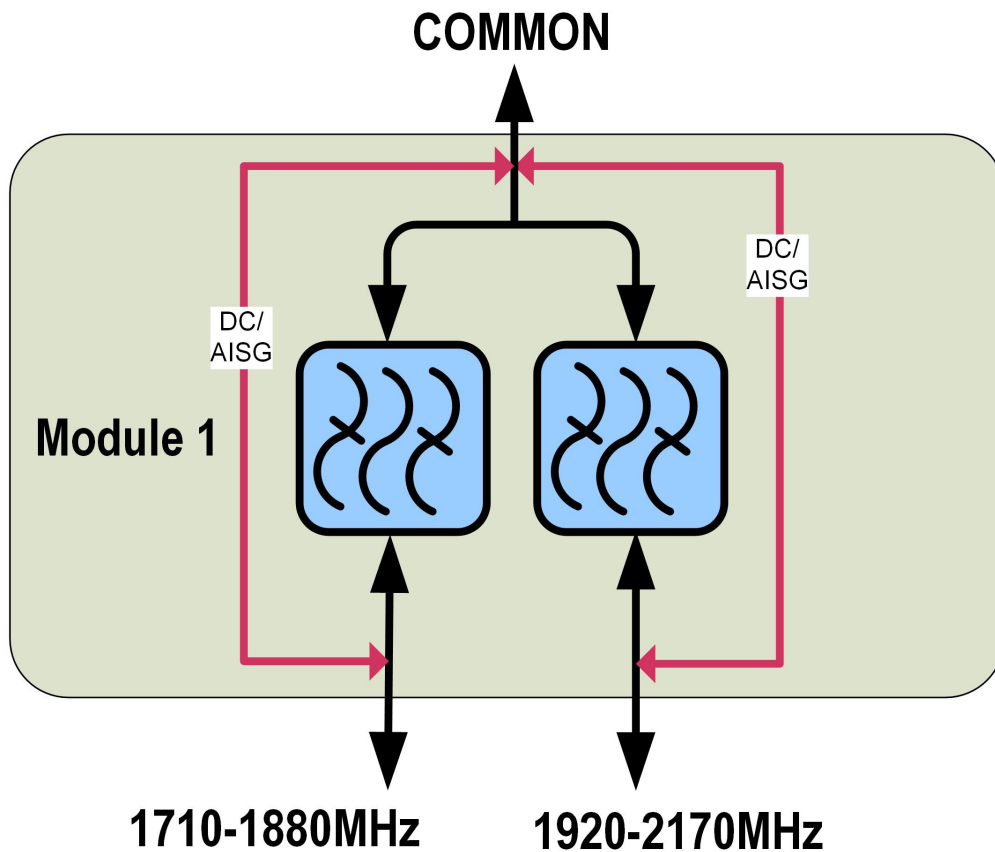
Electrical Specifications

Sub-module	1	1
Branch	1	2
Port Designation	PORT 1 1920-2170	PORT 2 1710-1880
License Band	IMT 2100, Band Pass	DCS 1800, Band Pass

Electrical Specifications, Band Pass

Frequency Range, MHz	1920–2170	1710–1880
Insertion Loss, typical, dB	0.25	0.15
Return Loss, typical, dB	20	20
Isolation, minimum, dB	50	50
Input Power, RMS, maximum, W	250	250
Input Power, PEP, maximum, W	2500	2500
3rd Order PIM, typical, dBc		-161
3rd Order PIM Test Method		Two +43 dBm carriers
7th Order PIM, typical, dBc	-168	
7th Order PIM Test Method	Two +43 dBm carriers	

Block Diagram



Environmental Specifications

Operating Temperature	-40 °C to +60 °C (-40 °F to +140 °F)
Corrosion Test Method	IEC 60068-2-11, 30 days
Ingress Protection Test Method	IEC 60529:2001, IP67

Packaging and Weights

Included	Mounting hardware
Volume	0.9 L
Weight, net	2 kg 4.409 lb

Regulatory Compliance/Certifications

Agency	Classification
ISO 9001:2015	Designed, manufactured and/or distributed under this quality management system

E11F05P96

