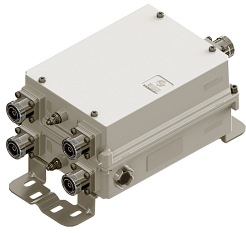


E11F13P25



Twin Diplexer, 700/900 MHz, dc pass on all ports

- Industry leading PIM performance
- Designed for network Modernization, introduction of LTE700 on existing site
- Twin configuration
- dc/AISG pass-through on all frequency ports

OBSOLETE

This product was discontinued on: July 1, 2022

Replaced By:

E12F13P25

Twin Diplexer, 700/900 MHz, dc pass on all ports with 4.3-10 connectors

Product Classification

Product Type Diplexer

General Specifications

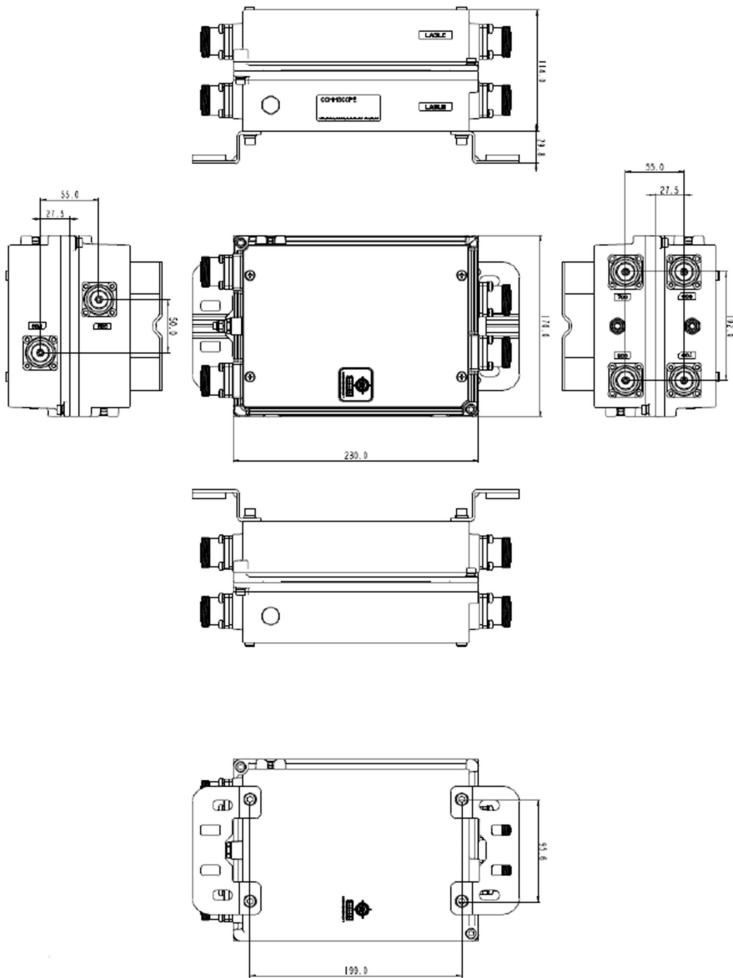
Product Family CBC79X
Color Gray
Common Port Label Port 3
Modularity 2-Twin
Mounting Pole | Wall
Mounting Pipe Hardware Band clamps (2)
RF Connector Interface 7-16 DIN Female
RF Connector Interface Body Style Long neck

Dimensions

Height 230 mm | 9.055 in
Width 170 mm | 6.693 in
Depth 114 mm | 4.488 in
Mounting Pipe Diameter Range 42.6–122 mm

E11F13P25

Outline Drawing



Electrical Specifications

Impedance	50 ohm
License Band, Band Pass	APT 700 CEL 900 EDD 800 LMR 750

Electrical Specifications, dc Power/Alarm

dc/AISG Pass-through, combiner	Branch 1 Branch 2
dc/AISG Pass-through, demultiplexer	Branch 1 Branch 2
Lightning Surge Current	10 kA
Lightning Surge Current Waveform	8/20 waveform

E11F13P25

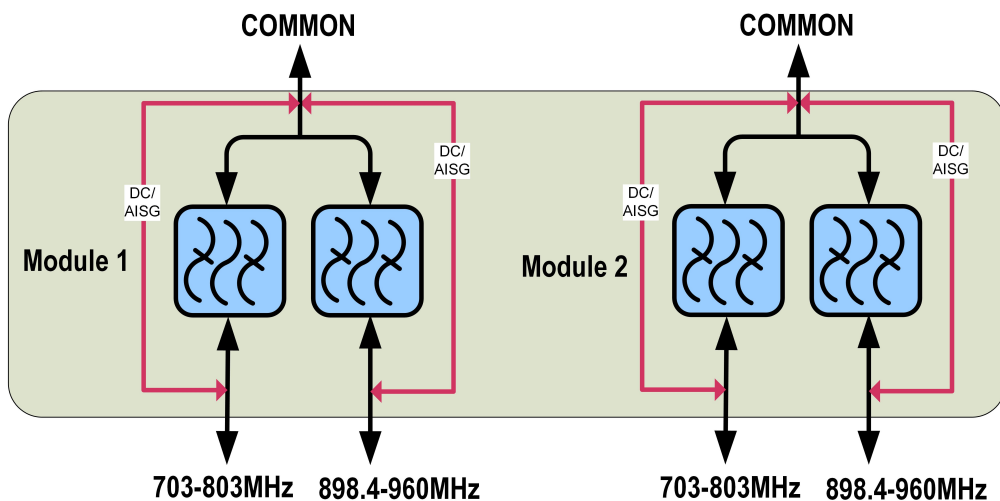
Electrical Specifications

Sub-module	1 2	1 2
Branch	1	2
Port Designation	703-803	898.4-960
License Band	APT 700, Band Pass	CEL 900, Band Pass

Electrical Specifications, Band Pass

Frequency Range, MHz	703–803	898.4–960
Insertion Loss, typical, dB	0.2	0.2
Return Loss, minimum, dB	18	18
Isolation, minimum, dB	50	50
Input Power, RMS, maximum, W	200	200
Input Power, PEP, maximum, W	2500	2500
3rd Order PIM, typical, dBc	-158	-158
3rd Order PIM Test Method	Two +43 dBm carriers	Two +43 dBm carriers

Block Diagram



Environmental Specifications

Operating Temperature	-40 °C to +65 °C (-40 °F to +149 °F)
Corrosion Test Method	IEC 60068-2-11, 30 days
Ingress Protection Test Method	IEC 60529:2001, IP67

E11F13P25

Packaging and Weights

Included	Mounting hardware
Weight, net	5.6 kg 12.346 lb

Regulatory Compliance/Certifications

Agency	Classification
ISO 9001:2015	Designed, manufactured and/or distributed under this quality management system

