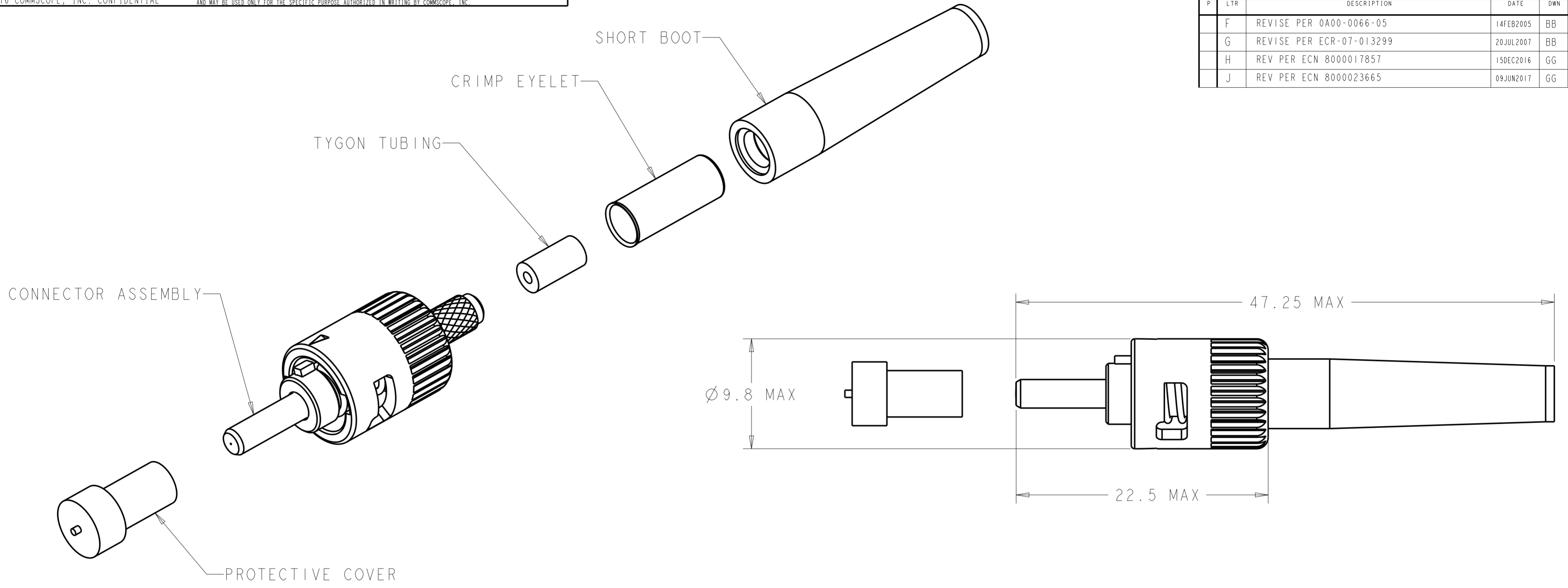


THIS DRAWING IS UNPUBLISHED. RELEASED FOR PUBLICATION
 © 2016 COMMSCOPE, INC. CONFIDENTIAL NOTICE: THESE DRAWINGS AND SPECIFICATIONS ARE THE PROPRIETARY PROPERTY OF COMMSCOPE, INC. AND MAY BE USED ONLY FOR THE SPECIFIC PURPOSE AUTHORIZED IN WRITING BY COMMSCOPE, INC.

REVISIONS				
P	LTR	DESCRIPTION	DATE	APVD
F		REVISE PER 0A00-0066-05	14FEB2005	BB SB
G		REVISE PER ECR-07-013299	20JUL2007	BB SB
H		REV PER ECN 8000017857	15DEC2016	GG TE
J		REV PER ECN 8000023665	09JUN2017	GG TE



⚠ MATERIAL:
 PROTECTIVE COVER: LDPE, COLOR: BLACK, NON-FR.
 CONNECTOR ASSEMBLY:
 FERRULE ASSEMBLY: CERAMIC / ARP-GF30, COLOR: BLACK.*
 SPRING: STAINLESS STEEL.
 COUPLING NUT: METAL
 RETENTION RING: STAINLESS STEEL.
 CRIMP EYELET: TIN PLATED COPPER.
 SHORT BOOT: TPE, COLOR: BLACK.*
 TYGON TUBING: TYGON, COLOR: CLEAR.
 *UL94 V-0 RATED AT QUALIFYING THICKNESS.

SHORT BOOT	125um	503571-1
DESCRIPTION	FIBER SIZE	PART NUMBER

THIS DRAWING IS A CONTROLLED DOCUMENT.		DWN B. BRIGGS 14FEB2005	COMMSCOPE, INC.	
DIMENSIONS: mm		CHK S. BUCHTER 14FEB2005		
TOLERANCES UNLESS OTHERWISE SPECIFIED: 0 PLC ± 1 PLC ± 2 PLC ± 3 PLC ± 4 PLC ± ANGLES ± FINISH		APVD S. BUCHTER 14FEB2005		
MATERIAL		PRODUCT SPEC	NAME CONNECTOR KIT, CERAMIC OVERMOLDED, BAYONET	
⚠		APPLICATION SPEC	SIZE A2	CAGE CODE C-503571
CUSTOMER DRAWING		WEIGHT	SCALE 4:1	SHEET OF 1
			RESTRICTED TO	REV J