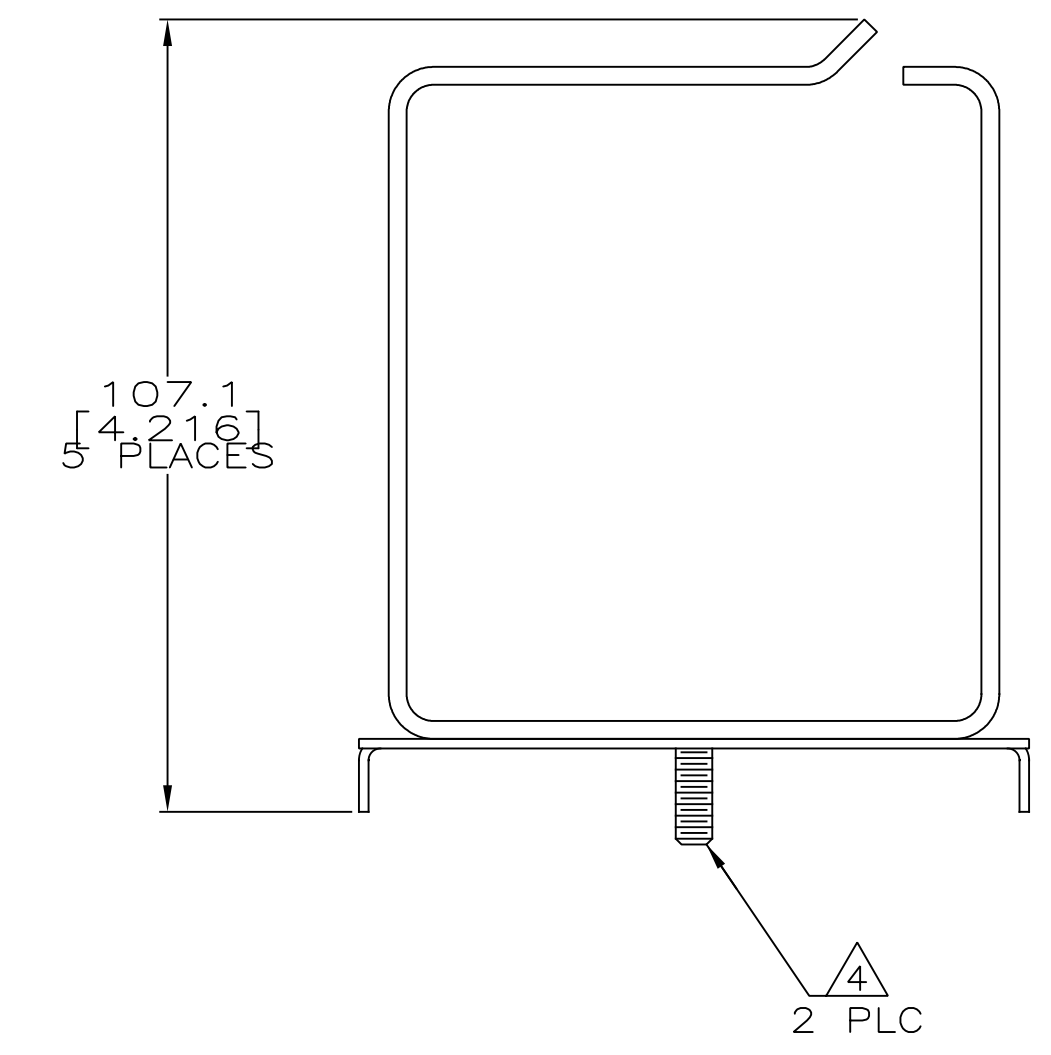
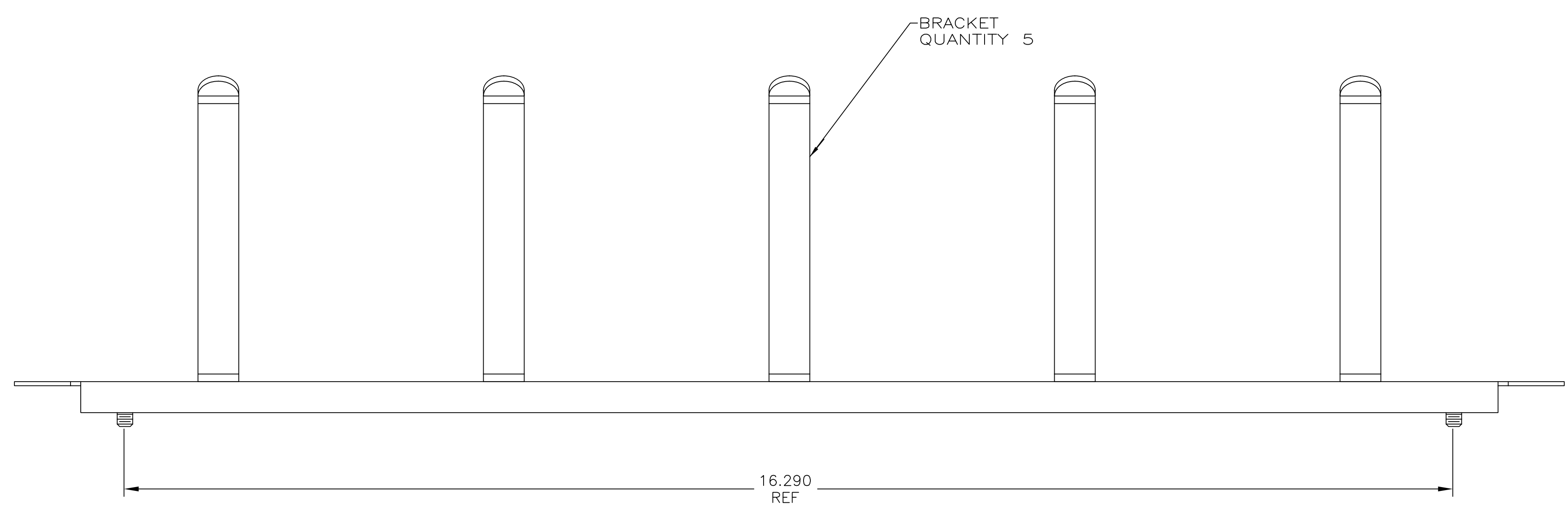
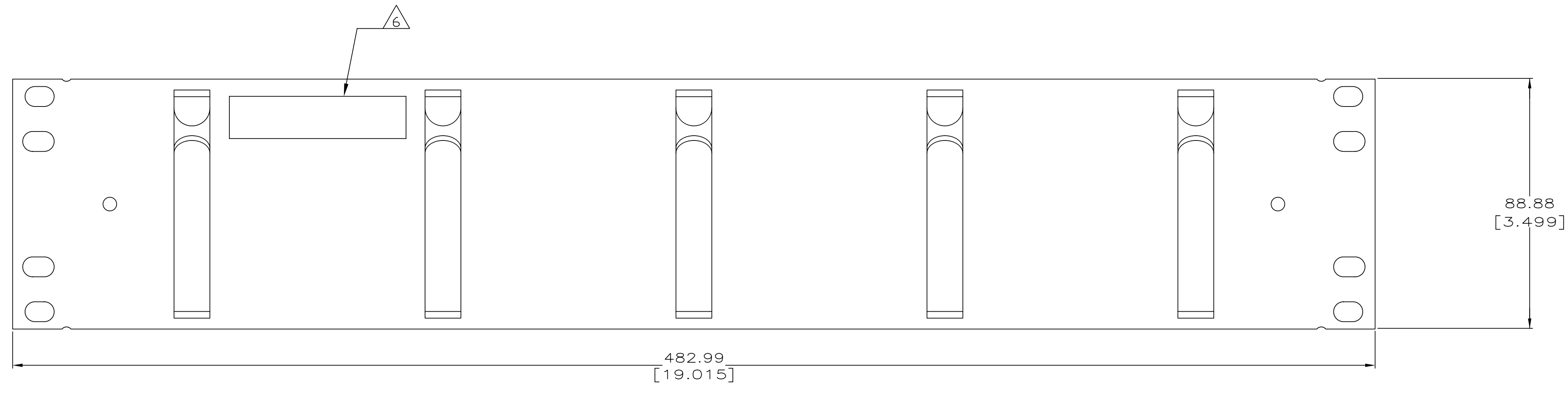


REVISIONS				
P	LTR	DESCRIPTION	DATE	OWN APVD
G		REV PER ECN 8000017281	07DEC16	GG AS

- △ MATERIAL: PANEL AND BRACKETS – CARBON STEEL, POWDER COAT BLACK.
- 2. FOUR BLACK 12–24 X 12.7[.50] LONG CARBON STEEL CROSS RECESSED PAN HEAD SCREWS AND FOUR BLACK 10–32 X 12.7[.50] LONG CARBON STEEL CROSS RECESSED SCREWS FOR MOUNTING OF PANEL ARE SHIPPED LOOSE. NOT SHOWN ON DRAWING.
- △ DIMENSIONS ARE MAXIMUM UNLESS OTHERWISE SPECIFIED.
- △ STUDS CAN BE USED TO INSTALL CABLE SUPPORT BAR, PN 558301–1, NOT SUPPLIED WITH THIS KIT.
- 5. NOT FOR USE WITH HINGED BRACKET KITS.
- △ COMMSCOPE TO BE AFFIXED TO REAR PANEL SURFACE APPROXIMATELY AS SHOWN.



558331–1  
PART NO.

THIS DRAWING IS A CONTROLLED DOCUMENT.		DWN C. WHITT 02FEB94	<b>COMMSCOPE, INC.</b>	
DIMENSIONS: MM [INCHES]		CHK C. WHITT 02FEB94		
TOLERANCES UNLESS OTHERWISE SPECIFIED:		APVD J. BONDS 02FEB94	NAME PANEL KIT, 3.50 CABLE MANAGEMENT	
0 PLC ± - △		PRODUCT SPEC	-	
1 PLC ± - △		APPLICATION SPEC	-	
2 PLC ± - △		WEIGHT	-	
3 PLC ± - △		SIZE	A1 00779 C=558331	
4 PLC ± - △		RESTRICTED TO	-	
ANGLES ± - △		CUSTOMER DRAWING	SCALE 1:1 SHEET 1 OF 1 REV G	
FINISH ± - △				