

THIS DRAWING IS UNPUBLISHED. RELEASED FOR PUBLICATION  
 © 2016 COMMSCOPE, INC. CONFIDENTIAL NOTICE: THESE DRAWINGS AND SPECIFICATIONS ARE THE PROPRIETARY PROPERTY OF COMMSCOPE, INC. AND MAY BE USED ONLY FOR THE SPECIFIC PURPOSE AUTHORIZED IN WRITING BY COMMSCOPE, INC.

REVISIONS				
P	LTR	DESCRIPTION	DATE	APVD
	A	RELEASE TO ACTIVE	08JUN2006	BB SM
	A1	ADD NOTE 7.	12MAY2009	KG SB
	B	REBRANDING	16DEC2016	

**1 MATERIAL:**  
 PROTECTIVE COVER: LDPE, COLOR: BLACK, NON-FR.  
 CONNECTOR HOUSING: PBT-GF17, COLOR: BEIGE.\*  
 CONNECTOR SUBASSEMBLY:  
 PLUG BODY: PES-GF20, COLOR: BEIGE.\*  
 FERRULE ASSEMBLY: CERAMIC / PBT-GF17, COLOR: BEIGE.\*  
 EPOXY - FILL TUBING: PVC, COLOR: CLEAR, UL VW-1 RATED.  
 SPRING: STAINLESS STEEL.  
 RETAINER BODY: ALUMINUM.  
 CRIMP EYELET/SHRINK TUBE ASSEMBLY: ALUMINUM/POLYOLEFIN,  
 COLOR: WHITE/BLACK (2.4mm), UL VW-1 RATED.  
 BEND LIMITING BOOT: PP, COLOR: BEIGE.\*  
 \* UL94 V-0 RATED AT QUALIFYING THICKNESS.

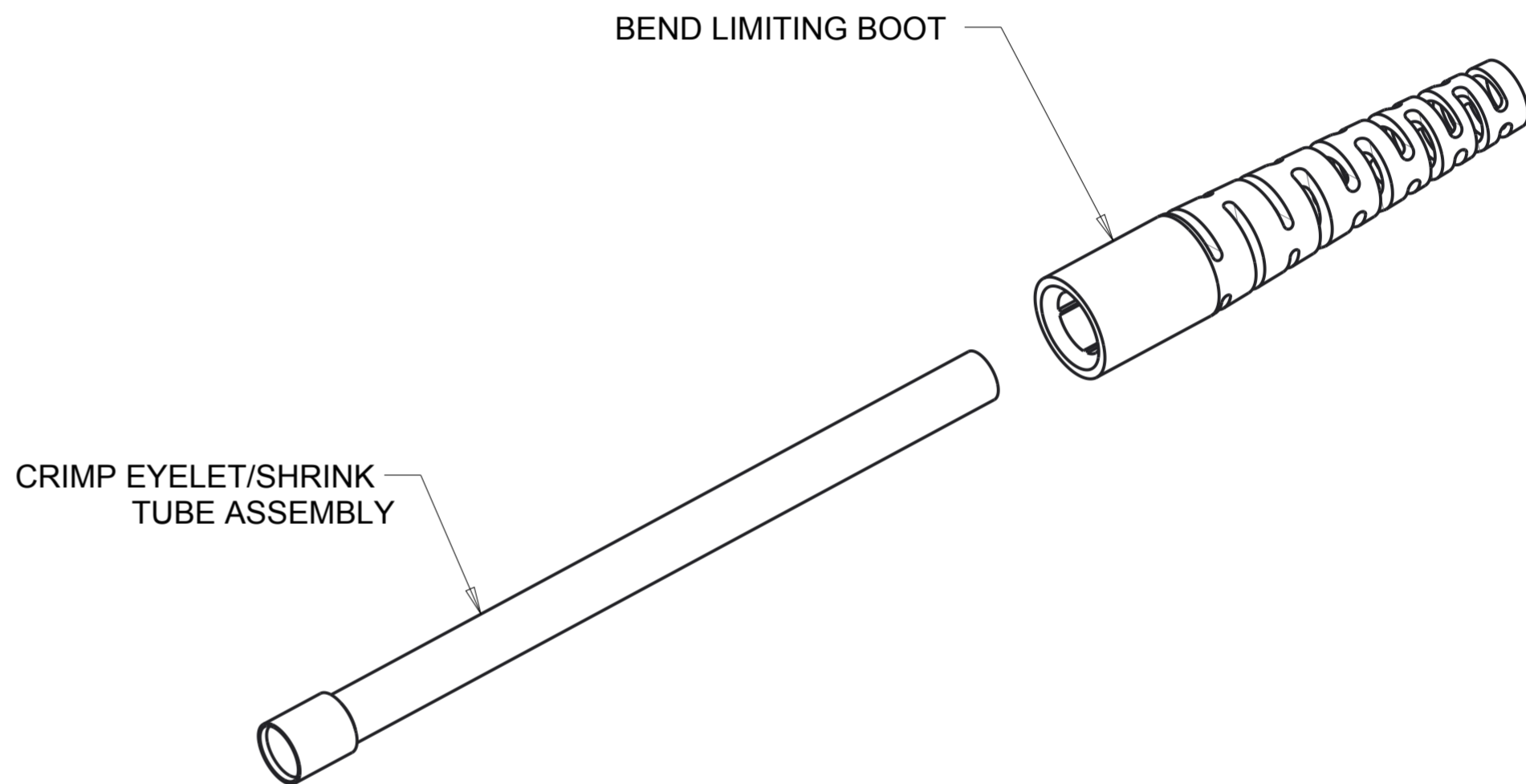
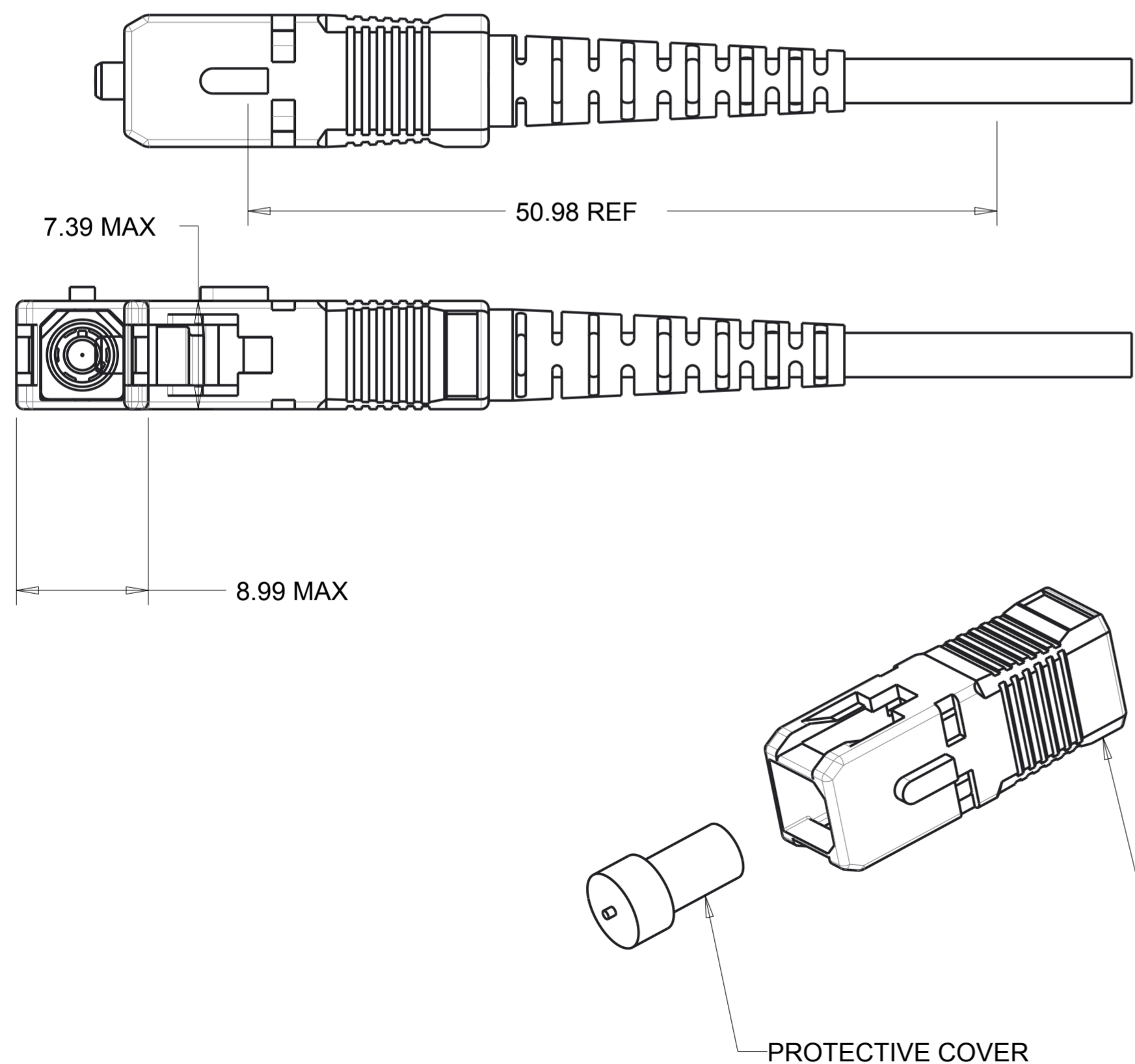
- 5 KIT CONTAINS NO BOOTS.
- 6 KIT CONTAINS NO CRIMP EYELET/SHRINK TUBE ASSEMBLY.

7. INSTRUCTION SHEET 408-8674 AVAILABLE FOR DOWNLOAD AT  
[www.commscope.com/documents](http://www.commscope.com/documents)

**2 FINISH:**  
 RETAINER BODY: CLEAR ANODIZE.  
 CRIMP EYELET: CLEAR ANODIZE.

**3 BULK PACKAGE.**

4. TO BE USED WITH "LOOSE-JACKETED" CABLE.



6	5	3	1.6mm-2.0mm	6588715-5
	5	3	2.4mm	6588715-4
			2.4mm	6588715-3
5	3		1.6mm-2.0mm	6588715-2
			1.6mm-2.0mm	6588715-1
			CABLE SIZE	PART NUMBER

DIMENSIONS:		TOLERANCES UNLESS OTHERWISE SPECIFIED:		DWN		COMMSCOPE, INC.		
mm		0 PLC	±	B.BRIGGS	06JAN2006	NAME FOKIT SC MM SIMPLEX, 1.6mm - 2.4mm CABLE		
		1 PLC	±	CHK	S.MILLER			06JAN2006
		2 PLC	±	APVD	S.BUCHTER			06JAN2006
		3 PLC	±	PRODUCT SPEC				
		4 PLC	±	APPLICATION SPEC				
		ANGLES	±	WEIGHT				
		FINISH						
MATERIAL						SIZE	CAGE CODE	
						A2	C-6588715	
						DRAWING NO	RESTRICTED TO	
						SCALE	SHEET	
						NTS	1 OF 1	
							REV	
							B	