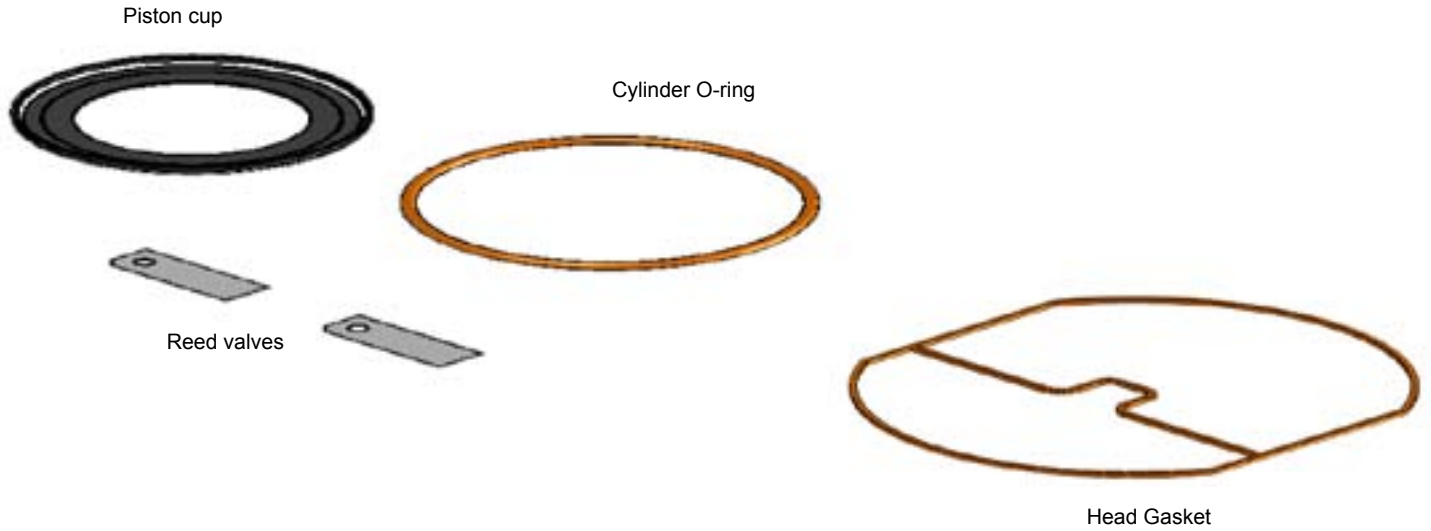
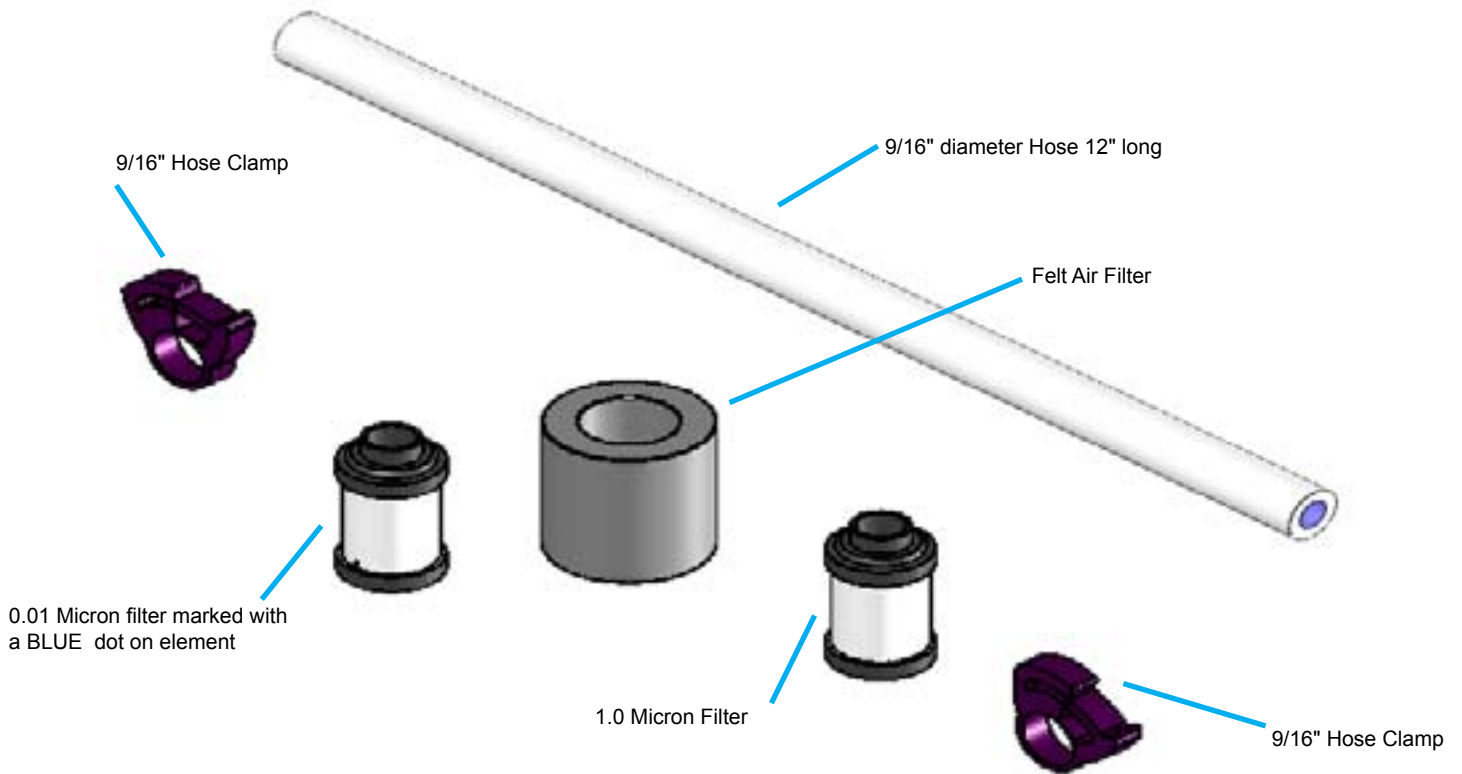


# MT050B-KIT-OVRHL

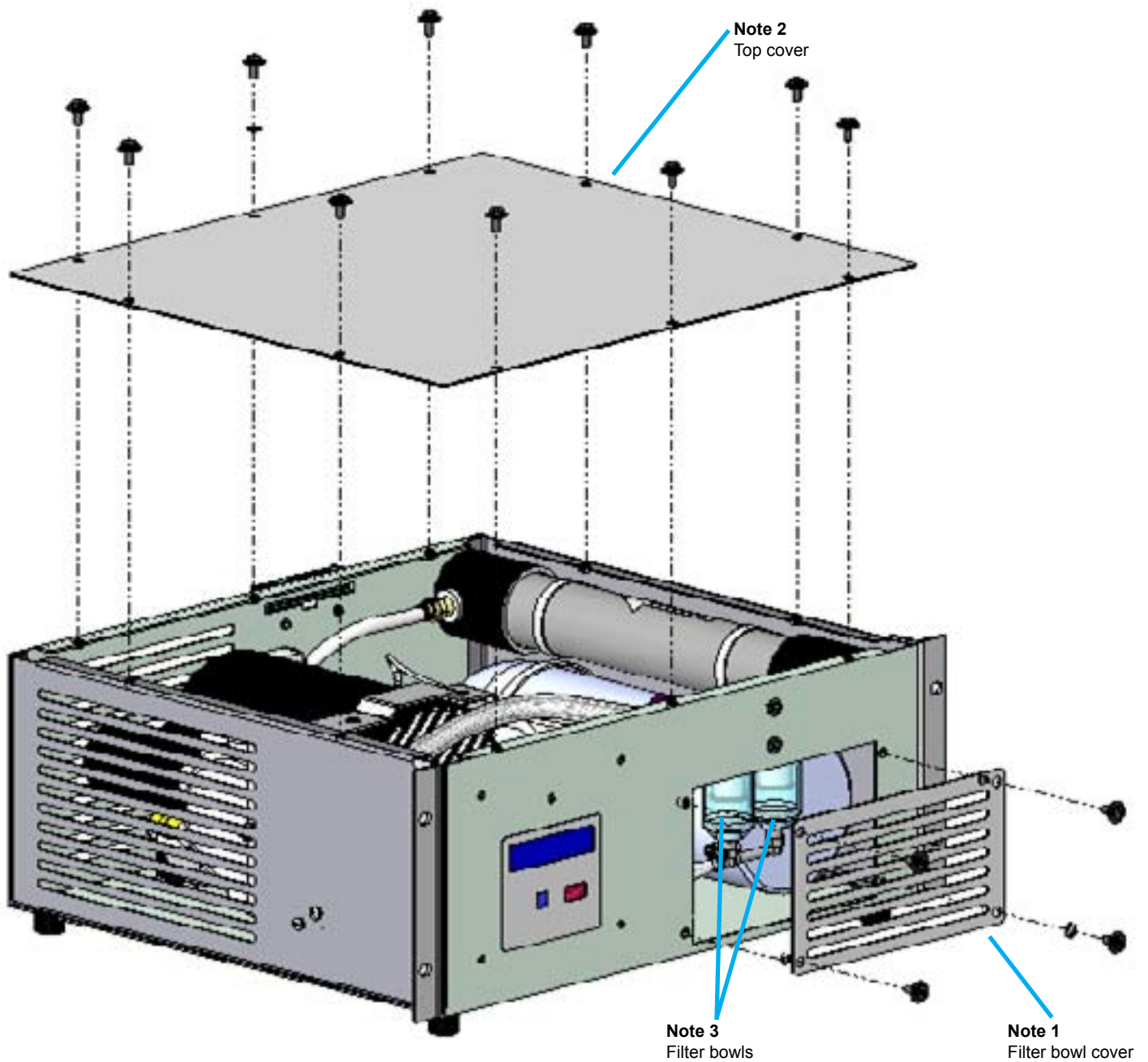
MT050B OVERHAUL KIT SERIES DryLine® DEHYDRATOR USER MANUAL



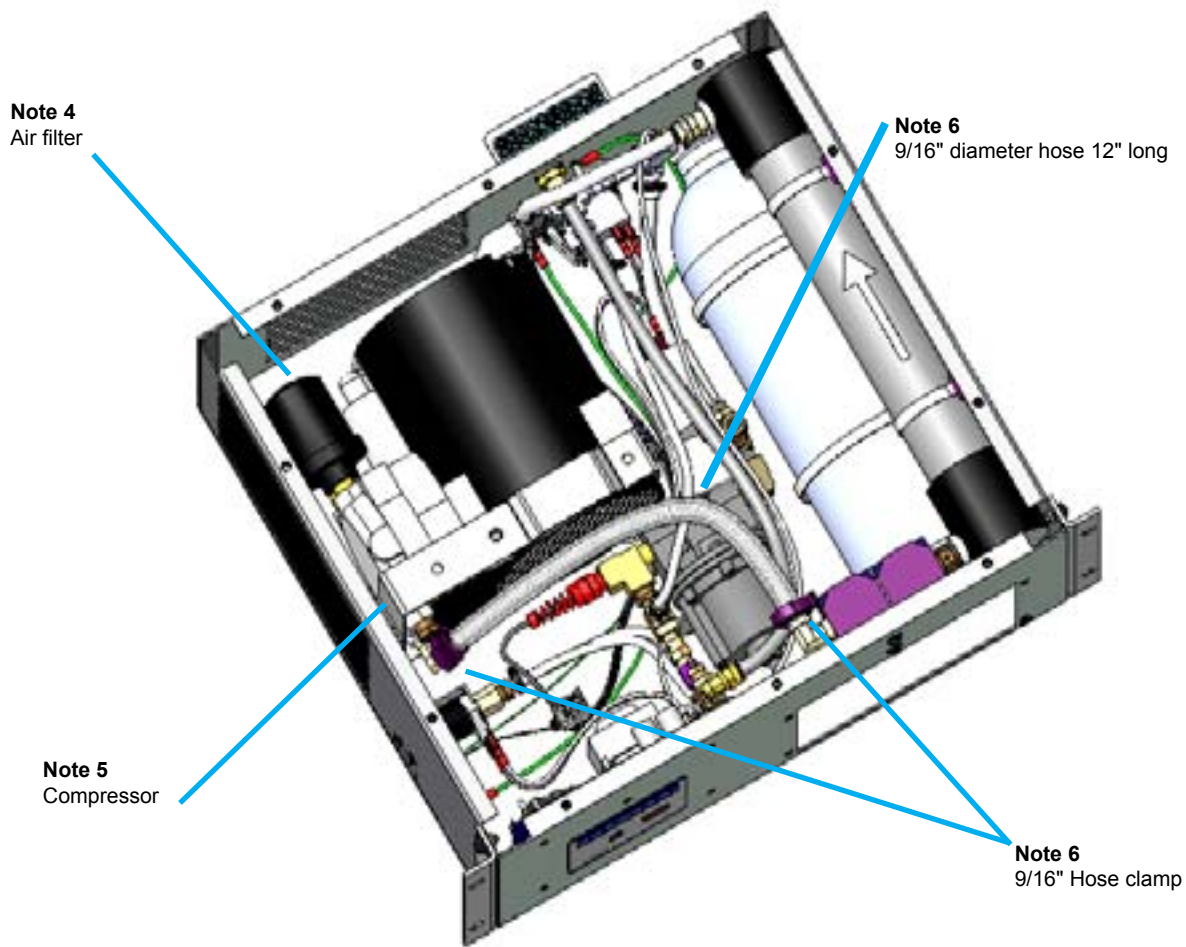
## GAST Manufacturing 74R Compressor Overhaul Kit (included and manual)



### CommScope Overhaul Kit Components



1. Remove cover plates for access to filter bowls.
2. Remove top cover from the unit to have full access.
3. Remove clear filter bowls without removing filter housing from unit and replace elements with indicated filters.



4. Remove plastic compressor air filter housing and replace old felt filter with new one.
5. Overhaul compressor per GAST Manufacturing 74R operation manual. Remove old compressor output hose and compressor from unit. Screws holding the compressor are on the bottom of the unit.
6. After overhauling the compressor reinstall and install new output hose. Be sure that the clamps are loosely placed on the hose before the hose is attached to the barbs. Tighten clamps so that they tighten the hose to the barbs.
7. Replace front and top covers of the unit.



COMMScope®

## MT050B-KIT-OVRHL

MT050B OVERHAUL KIT

COMMScope®

**Customer Support Center  
From North America**  
Telephone: 1-800-255-1479  
Fax (U.S.A.): 1-800-349-5444

**International**  
Telephone: +1-779-435-6500  
Fax Number: +1-779-435-8579

**Web Access**  
Internet: [www.commscope.com](http://www.commscope.com)  
Email: [#mws@commscope.com](mailto:#mws@commscope.com)

All designs, specifications and availability of products and services presented in this bulletin are subject to change without notice.

Bulletin AE01B-A0530-002 Rev B (10/11) © 2008-2011 CommScope, Inc. All rights reserved

CommScope, 3 Westbrook Corporate Center, Suite 900 Westchester, IL 60154 USA