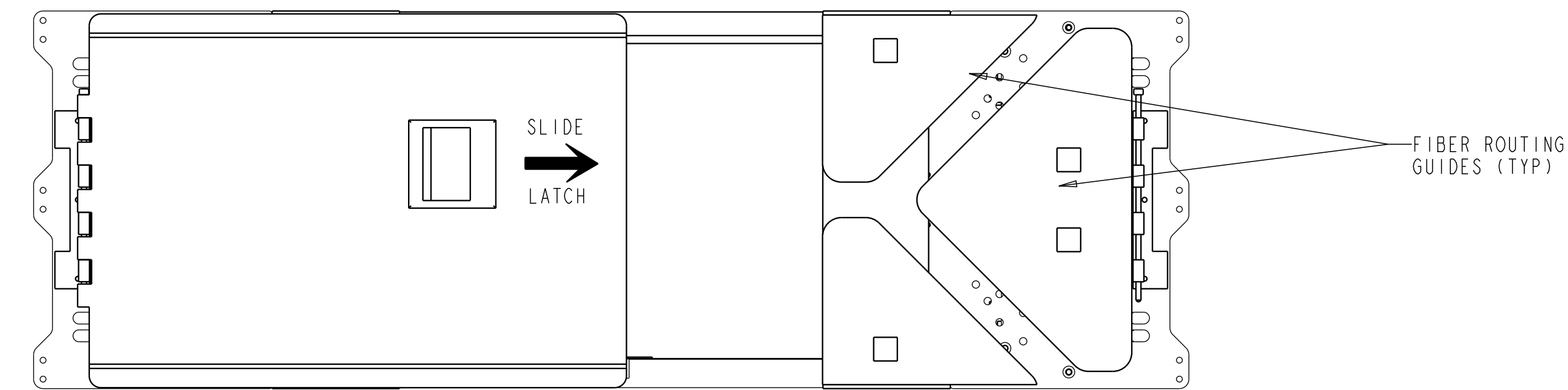
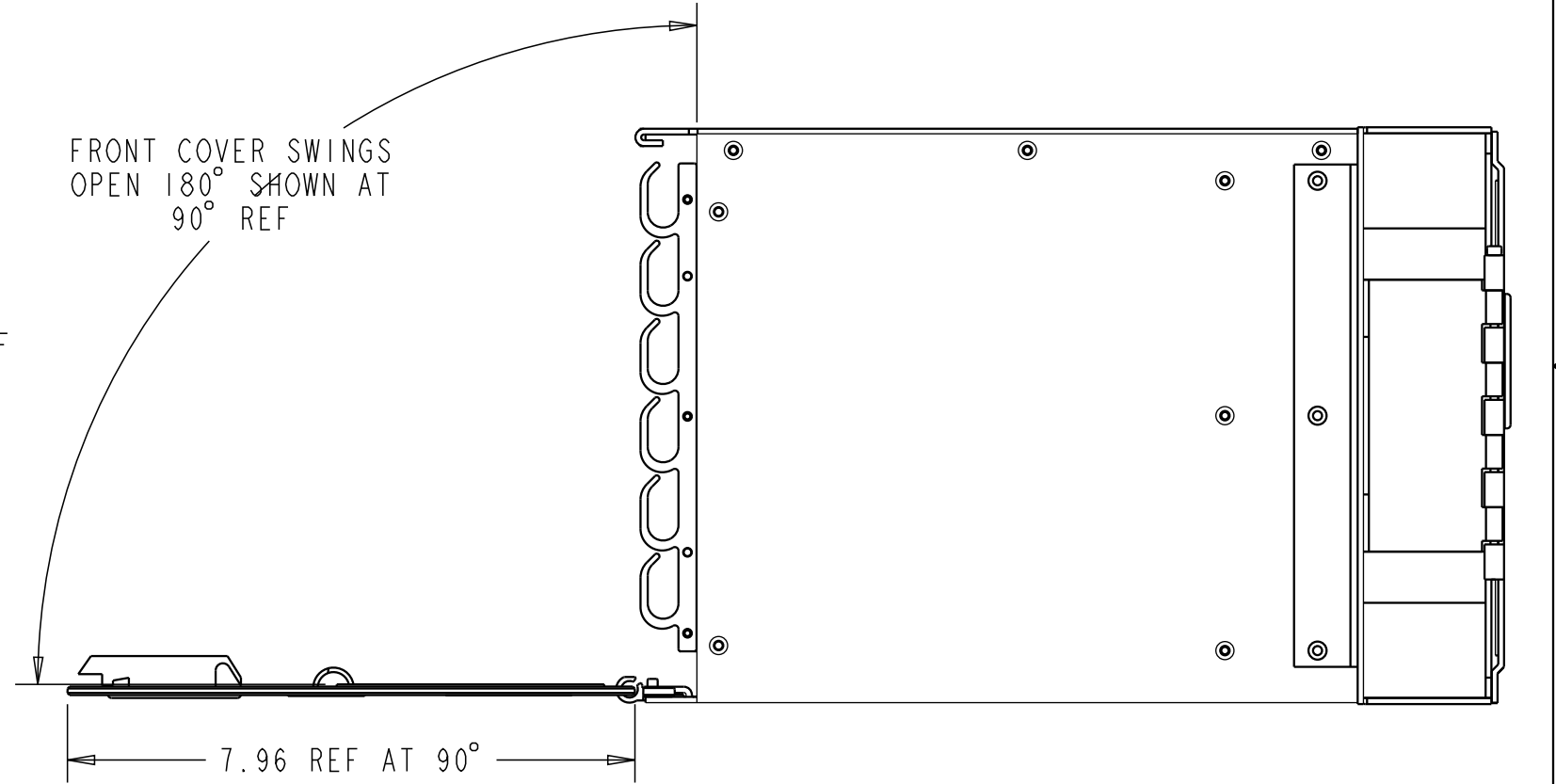
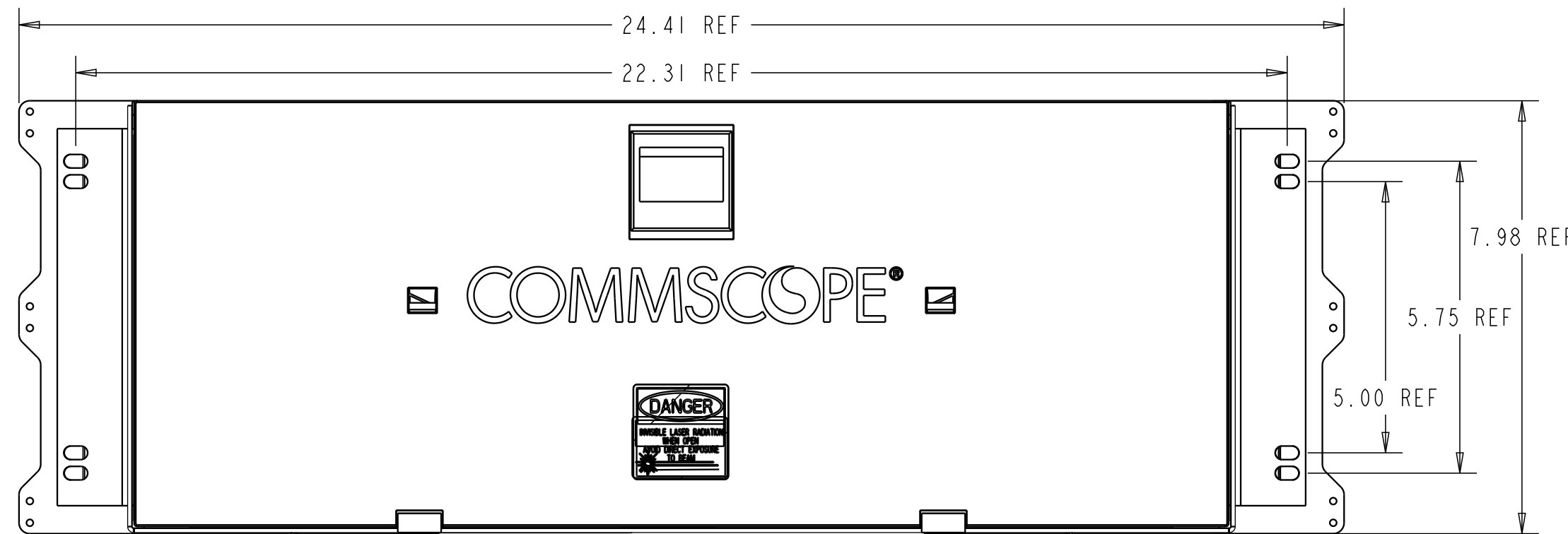
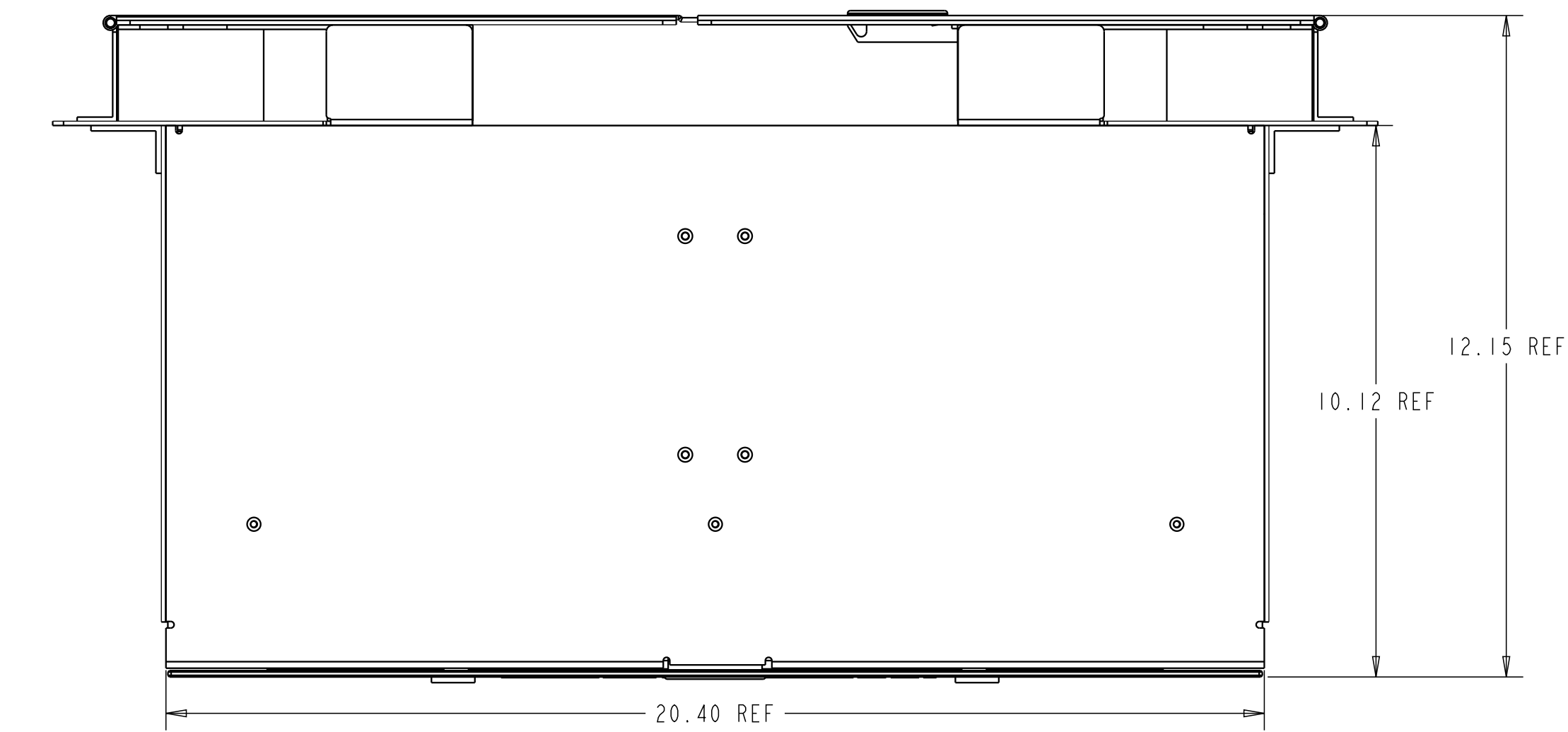
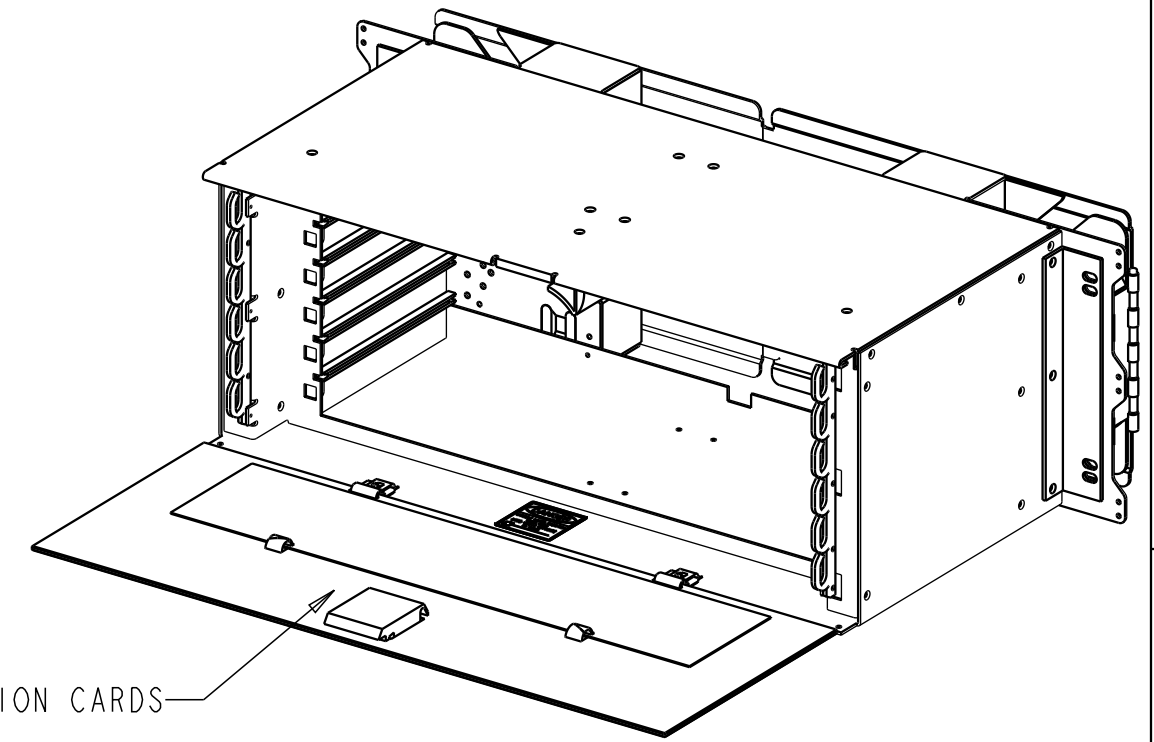


REV.	MCO	DWN	DATE
D	40019420MCO	EAAE	26-JAN-15
E	8000018855	VFV	07-JAN-17



REAR VIEW ROTATED 180° SHOWN WITH RIGHT REAR DOOR REMOVED

NOTES:

1. WHEN MOUNTING IN RACK, SLIDE CHASSIS INTO RACK FROM THE REAR SIDE AND SECURE TO REAR RACK FLANGE USING MOUNTING HARDWARE PROVIDED.
2. DESIGNATION SHEETS ARE INCLUDING WITH CHASSIS.
3. AN INSTRUCTION SHEET FOR CABLING AND MOUNTING THE CHASSIS IN A FRAME IS INCLUDED WITH UNIT.

COMMSCOPE, INC.

© 2016 COMMSCOPE, INC. CONFIDENTIAL NOTICE: THESE DRAWINGS AND SPECIFICATIONS ARE THE PROPRIETARY PROPERTY OF COMMSCOPE, INC. AND MAY BE USED ONLY FOR THE SPECIFIC PURPOSE AUTHORIZED IN WRITING BY COMMSCOPE, INC.		TITLE VAM (INSTALLATION DRAWING)	
ALL DIMS AND TOLERANCES ARE INCHES UNLESS OTHERWISE SPECIFIED	.XX:±N/A .XXX:±N/A ANGULAR:±N/A	C SIZE	DRAWING NUMBER 1038634_ADC
DO NOT SCALE DRAWING	ENGR: DOUG HASSINGER DWN: JOHN PFARR	SHT. 1 OF 1	

FDF-FCMWWAM
PRODUCT NUMBER

DIMENSIONS IN INCHES
THIRD ANGLE PROJECTION