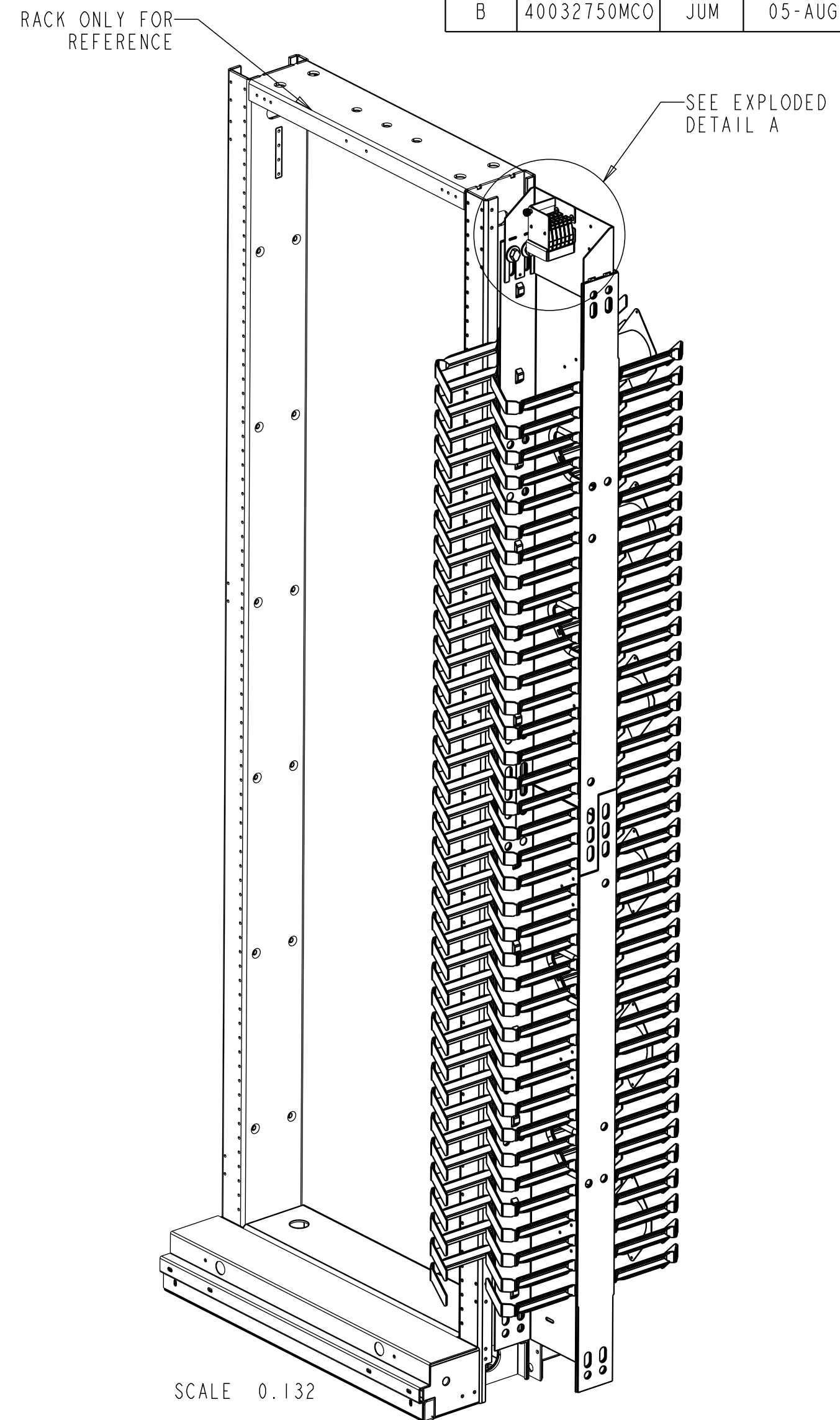
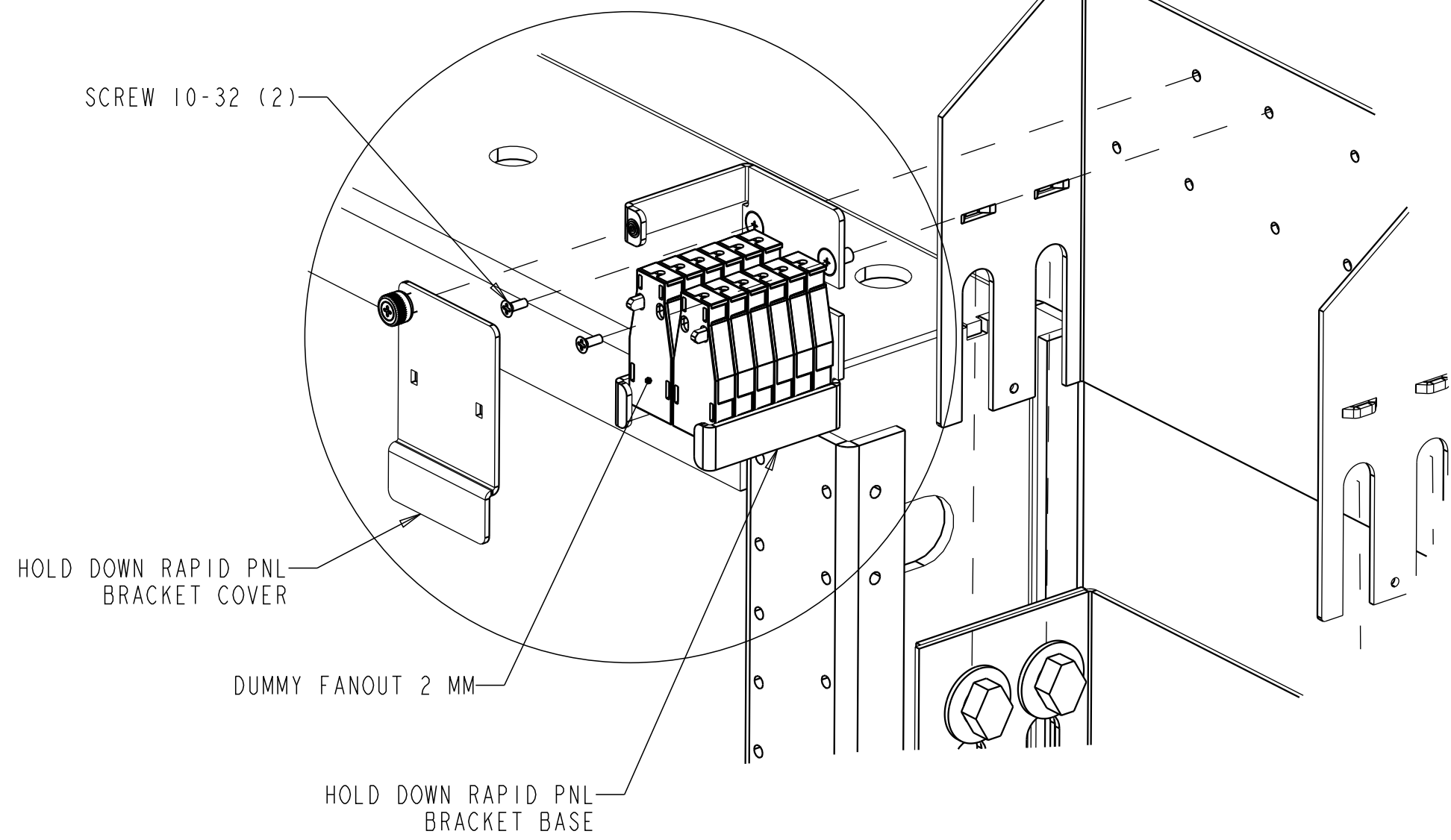


FANOUT HOLD DOWN BRACKET FOR GLIDE SYSTEM

| REV. | MCO | DWN | DATE |
|------|-------------|-----|-----------|
| A | 20340501 | JIM | 22-MAY-13 |
| B | 40032750MCO | JUM | 05-AUG-16 |

EXPLODED DETAIL A



| ITEMS INCLUDED IN EACH KIT | | |
|----------------------------|-----------------------------------|-------|
| ITEM | DESCRIPTION | QTY |
| 001 | HOLD DOWN RAPID PNL BRACKET BASE | 1.00 |
| 002 | HOLD DOWN RAPID PNL BRACKET COVER | 1.00 |
| 003 | MACHINE SCREW FLT HD UNDRCT 10-32 | 2.00 |
| 004 | DUMMY FANOUTS | 12.00 |

NOTES:

1. THE FANOUT BRACKET KIT INCLUDES ONE SET, IT CAN BE USED ON BOTH SIDES (LEFT AND RIGHT) OF THE RACK.
2. USE SCREWS ITEM 003 INCLUDED IN THE KIT TO MOUNT THE BRACKET AS SHOWN.
3. REPLACING A DUMMY FANOUT BY A LIVE ONE:
 - REMOVE THE BRACKET COVER.
 - REMOVE ALL DUMMY FANOUTS LOCATED IN THE RAIL WHERE THE NEW FANOUT WILL BE REPLACED.
 - INSERT THE LIVE FANOUT AND REINSTALL THE DUMMY FANOUTS TO FILL THE RAIL WHERE THE NEW FANOUT WAS REPLACED.
 - REINSTALL THE BRACKET COVER.

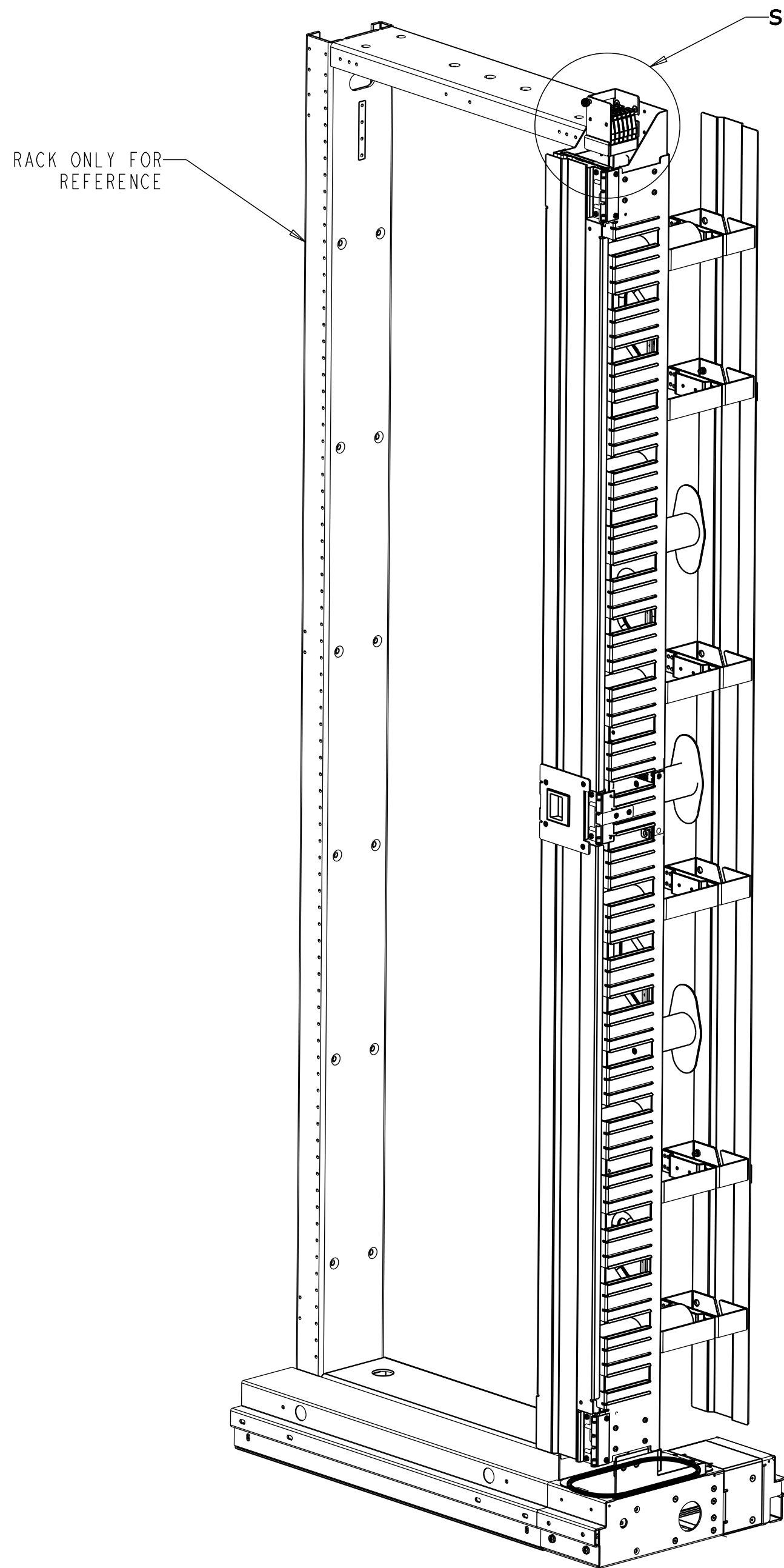
CATALOG NUMBER: RCP-CLPKIT2MM

COMMSCOPE, INC.

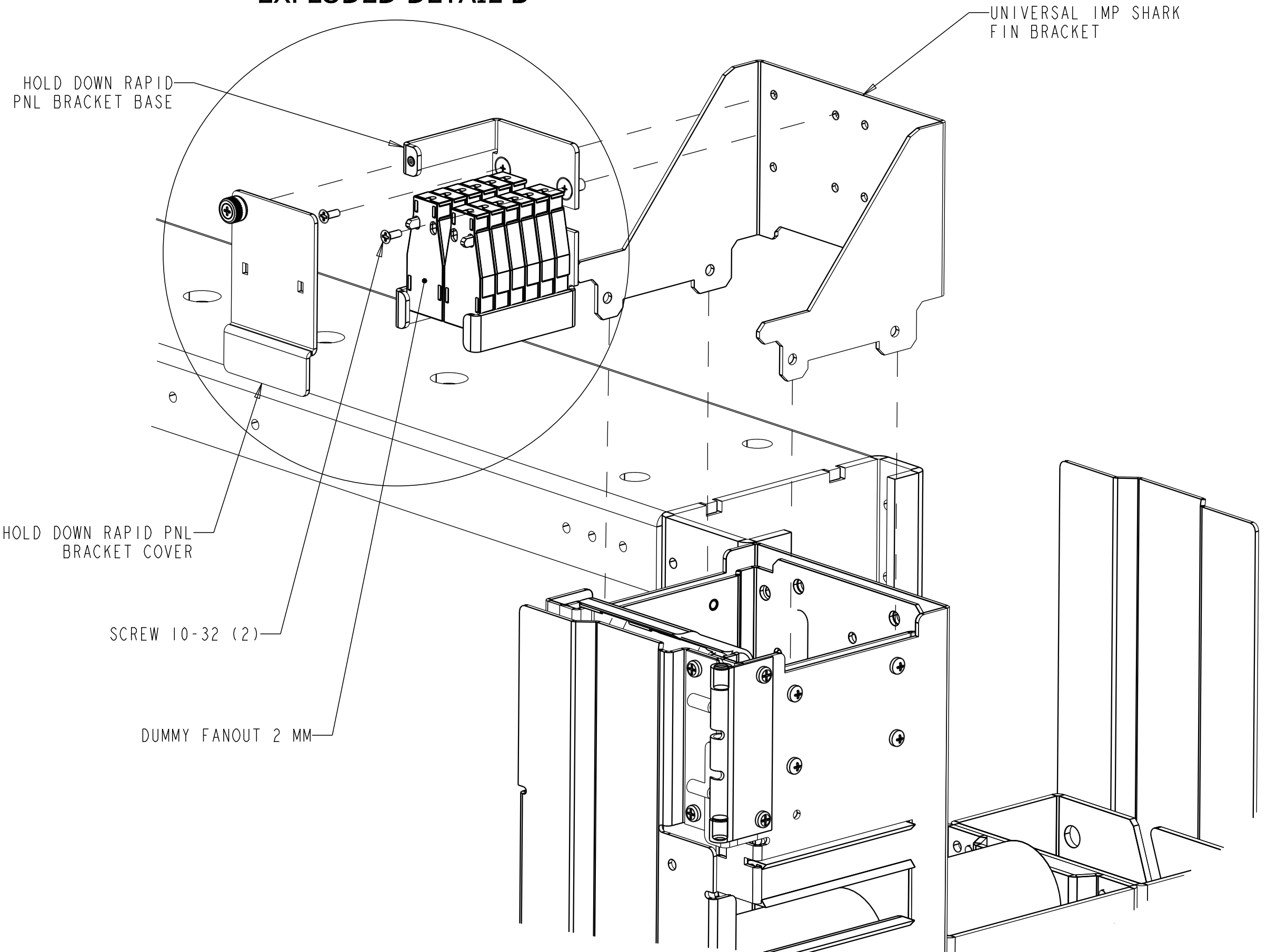
| | | | |
|--|--------------------------------------|---|--------------------------------|
| <small>© 2016 COMMSCOPE, INC. CONFIDENTIAL NOTICE: THESE DRAWINGS AND SPECIFICATIONS ARE THE PROPRIETARY PROPERTY OF COMMSCOPE, INC. AND MAY BE USED ONLY FOR THE SPECIFIC PURPOSE AUTHORIZED IN WRITING BY COMMSCOPE, INC.</small> | | TITLE UNIVERSAL HOLD DOWN BKT INSTALLATION DWR | |
| ALL DIMS AND TOLERANCES ARE INCHES UNLESS OTHERWISE SPECIFIED | .XX:±N/A .XXX:±N/A ANGLAR:±N/A | C SIZE | DRAWING NUMBER 300001776308 |
| DO NOT SCALE DRAWING | | ENGR: LUIS RENTERIA DWN: ISAI MELENDEZ | B REV SHT. 1 OF 2 |

**DIMENSIONS IN INCHES
THIRD ANGLE PROJECTION**

FANOUT HOLD DOWN BRACKET FOR UNIVERSAL IMP



EXPLODED DETAIL B



SCALE 0.150

COMMSCOPE, INC.

| | | | |
|--|--|---|--------------------------------|
| <small>© 2016 COMMSCOPE, INC. CONFIDENTIAL NOTICE: THESE DRAWINGS AND SPECIFICATIONS ARE THE PROPRIETARY PROPERTY OF COMMSCOPE, INC. AND MAY BE USED ONLY FOR THE SPECIFIC PURPOSE AUTHORIZED IN WRITING BY COMMSCOPE, INC.</small> | | TITLE UNIVERSAL HOLD DOWN BKT INSTALLATION DWR | |
| <small>ALL DIMS AND TOLERANCES ARE INCHES UNLESS OTHERWISE SPECIFIED</small> | <small>.XX:±N/A .XXX:±N/A ANGULAR:±N/A</small> | C SIZE | DRAWING NUMBER 300001776308 |
| DO NOT SCALE DRAWING | | ENGR: LUIS RENTERIA DWN: ISAI MELENDEZ | B REV SHT. 2 OF 2 |

DIMENSIONS IN INCHES
 THIRD ANGLE PROJECTION