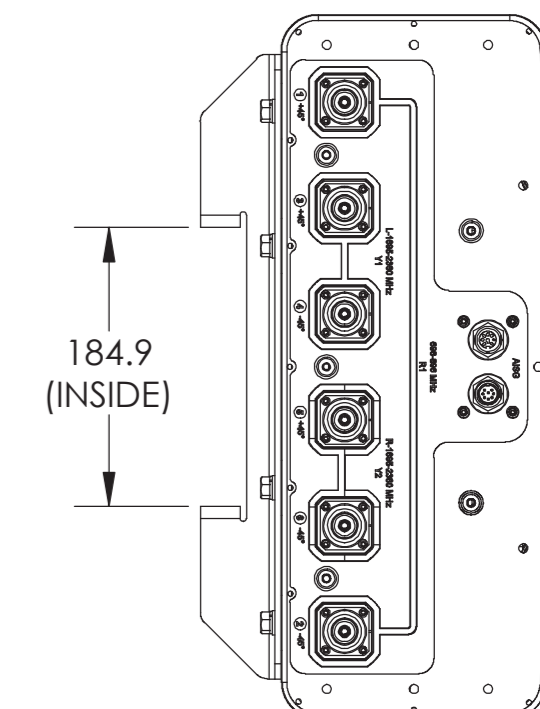
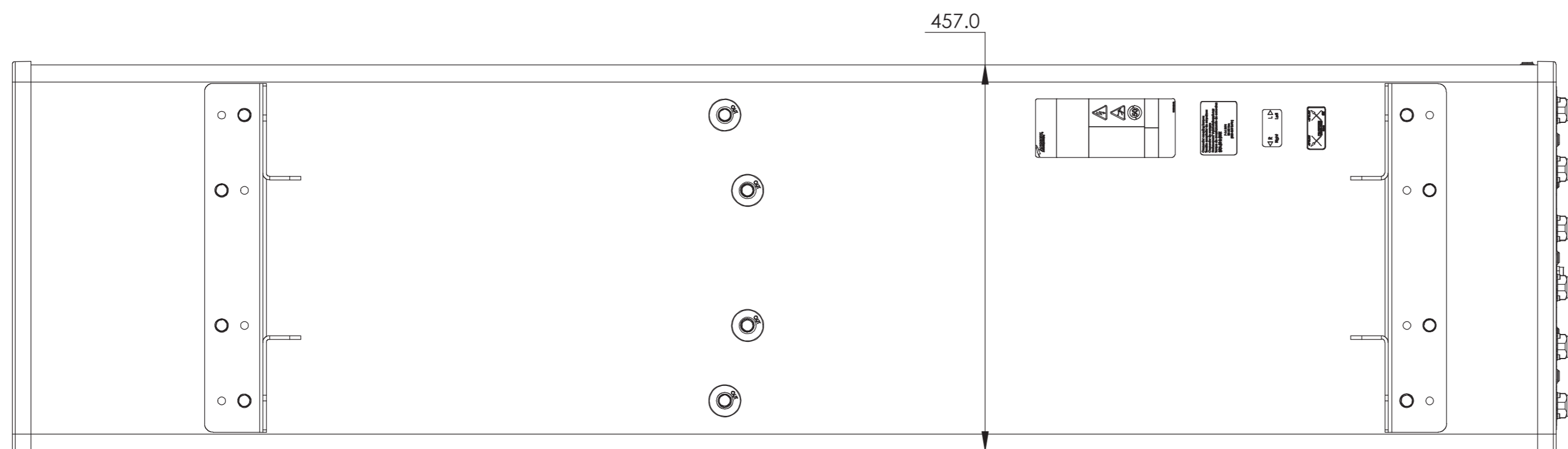
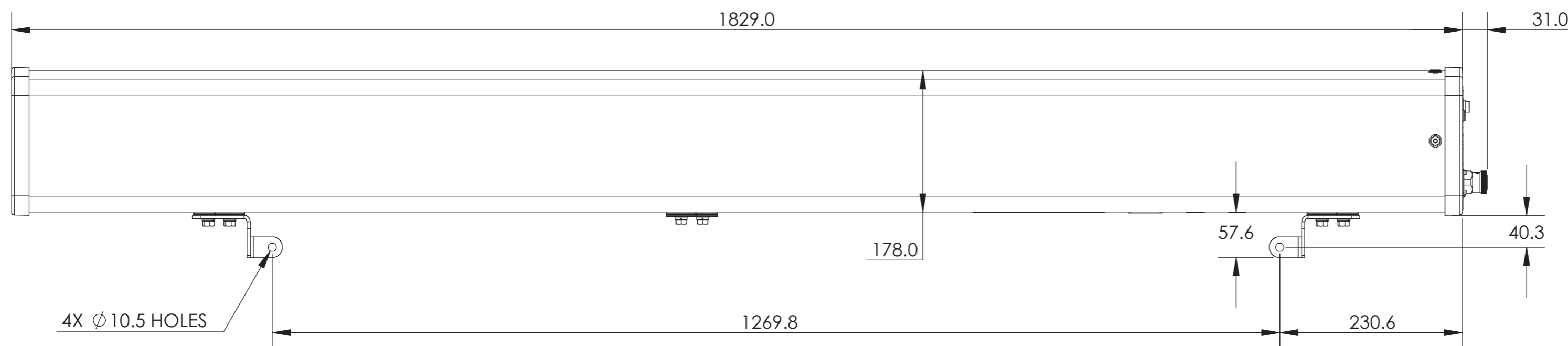


NOTES:

| REVISIONS | | | |
|-----------|---|-------------|-----------------|
| REV. | DESCRIPTION | DATE | APPROVED |
| A | ECR 8000005791: REL TO PRODUCTION PER EAO 602361. | 22JAN15 YMH | PL.TANG / LIGWU |
| B | ECR 8000006847: UPDATE DRAWING. | 11FEB15 YMH | PL.TANG / LIGWU |
| C | ECR 8000007318: UPDATE DRAWING. | 20MAR15 JOY | PL.TANG / LIGWU |



SBNHH-1D45B

COMMSCOPE, INC. OF NORTH CAROLINA

| | | |
|---------------|---------------|---------------------|
| DENSITY: | TOLERANCES | SAP MATERIAL MASTER |
| MASS: | 0 PLACE X ± | |
| VOLUME: | 1 PLACE .X ± | |
| SURFACE AREA: | 2 PLACE .XX ± | |
| | ANGLES ± | |

| | |
|--------|----------|
| FINISH | MATERIAL |
| N/A | N/A |

| | | | |
|--|-----------|---------------|-----------------|
| UNLESS OTHERWISE SPECIFIED DIMENSIONS ARE IN MILLIMETERS INTERPRET PER ISO STANDARDS HANDBOOK TECHNICAL DRAWINGS VOLUMES 1 & 2, THIRD EDITION (2002) | NAME | DATE | TITLE |
| | CE YMH | 22JAN15 | PRODUCT DRAWING |
| | RW SL1003 | 03/20/2015 | |
| | RV PLTANG | 03/20/2015 | |
| | AD LGWU | 03/20/2015 | |
| | RE BYUAN | 03/23/2015 | |
| ECN 8000007318-O | | | |
| SIZE | SCALE | DOCUMENT NO. | |
| A2 | 1:5 | SBNHH-1D45B-L | |

© 2015 CommScope, Inc.
 NOTICE: These drawings and specifications are the proprietary property of COMMSCOPE, INC. and may be used only for the specific purpose authorized in writing by COMMSCOPE, INC.

| | | | | | | | | | | |
|--------|--------------|-----------|----|---------|---------|----------|---------|--------|----------|--------|
| HEIGHT | ALL SURFACES | WORK AREA | 23 | MODEL | DRAWING | | | SHEET | | |
| LENGTH | ✓ | ⊕ | ⊖ | VERSION | STATUS | REVISION | VERSION | STATUS | REVISION | 1 OF 1 |
| WIDTH | | | | 03 | RE | D | 02 | RE | C | |