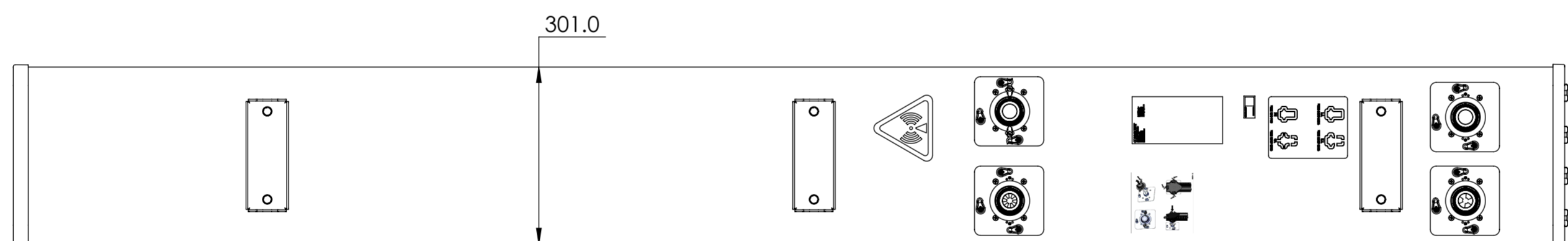
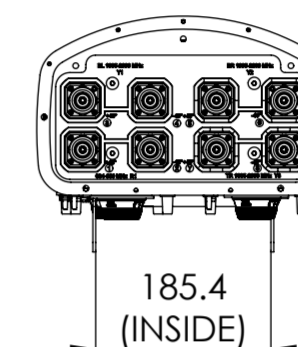
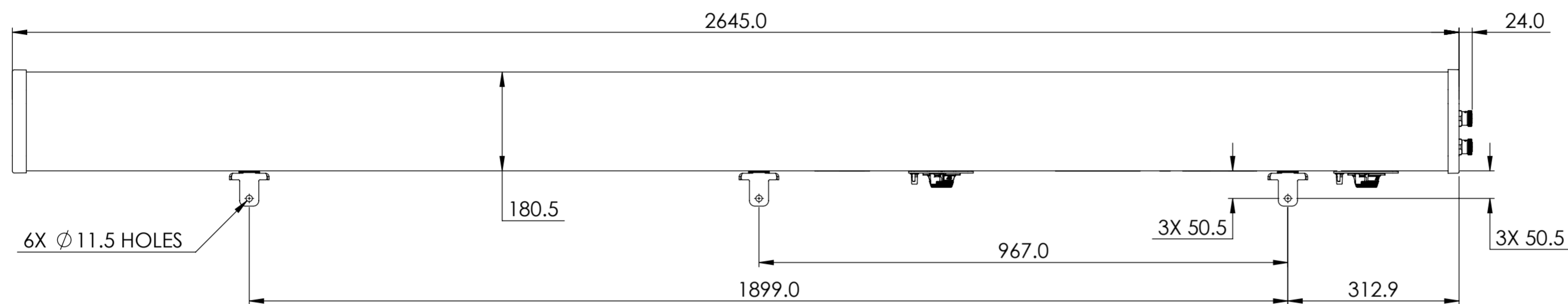


NOTES:

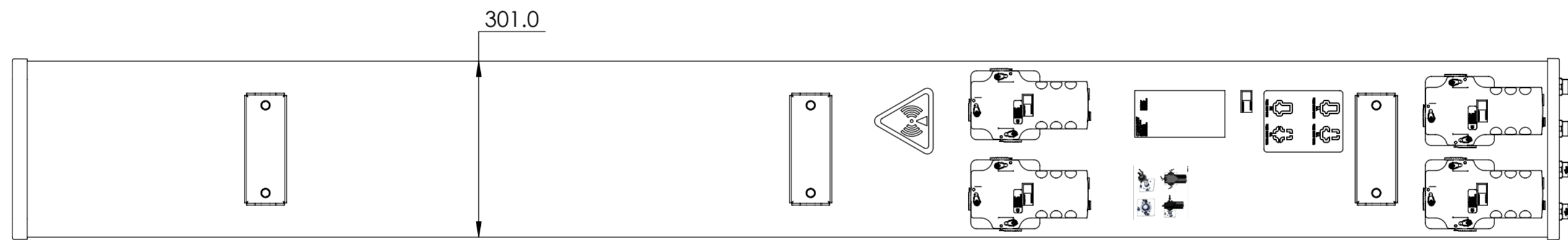
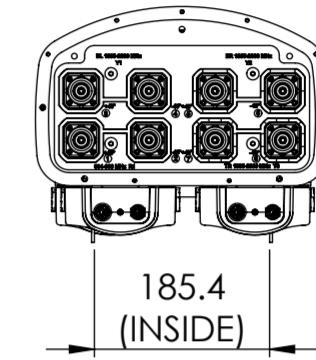
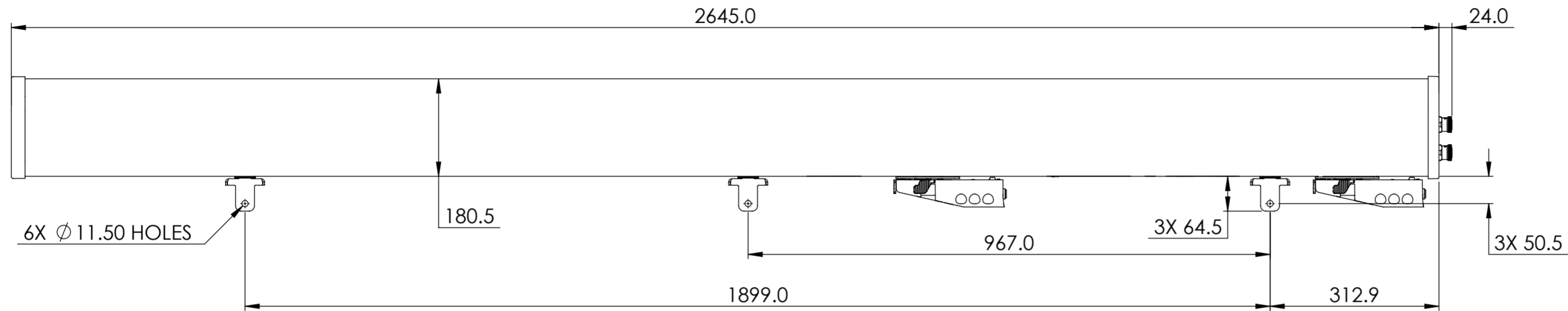
REVISIONS			
REV.	DESCRIPTION	DATE	APPROVED
A	ECR 8000010997: REL TO PRODUCTION PER EAO 603072.	16DEC15 XW	WFW/YCLI
B	ECR 8000012773: UPDATE DRAWING PER LABEL CHANGED.	04MAR16 THD	WFW/YCLI



RV365D-M

COMMSCOPE, INC. OF NORTH CAROLINA													
TOLERANCES						SAP MATERIAL MASTER							
0 PLACE X ±			2 PLACE .XX ± 0.20										
1 PLACE .X ± 1.0			ANGLES ± 1°										
FINISH						MATERIAL							
<small>UNLESS OTHERWISE SPECIFIED DIMENSIONS ARE IN MILLIMETERS INTERPRET PER ISO STANDARDS HANDBOOK TECHNICAL DRAWINGS VOLUMES 1 &amp; 2, THIRD EDITION (2002)</small>	NAME	DATE	TITLE										
	CE XW	12/16/2015	PRODUCT DRAWING										
	RW WX1009	03/08/2016											
	RV QIAWANG	03/08/2016											
	AD FW1019	03/08/2016											
RE BYUAN	03/10/2016												
ECN 8000012773-0			SCALE	DOCUMENT NO.									
			1:8	RV365D-M-L									
DENSITY	g/mm³		SIZE WORK AREA 23 MODEL DRAWING SHEET										
MASS	grams												
VOLUME	mm³												
SURFACE AREA	mm²												
HEIGHT			VERSION	STATUS		REVISION		VERSION		STATUS		REVISION	
LENGTH			A2	01 RE		B		01 RE		B		1 OF 2	
WIDTH													

NOTES:



RV365D-4X2

COMMSCOPE, INC. OF NORTH CAROLINA				
TITLE PRODUCT DRAWING				
SIZE <b>A2</b>	SCALE <b>1:8</b>	DOCUMENT NO. RV365D-M-L		
DRAWING				SHEET
VERSION 01	STATUS RE	REVISION B	2 OF 2	

© 2016 CommScope, Inc.